

Overview

- 0 ... 16 mm
- voltage output / PNP
- external Teach-in
- connector M12
- -10 ... 70 °C
- IP 67



Picture similar



Technical data

General data		Electrical data	
Mounting type	Quasi-flush	Output circuit	Analog 0 ... 10 VDC PNP
Special type	2 adjust. switching points Linearized	Load resistance	> 1000 Ohm
Measuring distance Sd	0 ... 16 mm	Output current	10 mA (PNP)
Resolution	< 0.01 mm (stat.) < 0.01 mm (dynam.)	Voltage drop Vd	<5 VDC (PNP)
Repeat accuracy	0.015 mm	Short circuit protection	Yes
Adjustment	External Teach-in	Reverse polarity protection	Yes
Linearity error	± 160 µm	Mechanical data	
Temperature drift	± 5 % (Full Scale: S = 0 ... 14 mm) ± 10 % (Full Scale: S = 0 ... 16 mm)	Design	Cylindrical threaded
Output indicator	LED red	Material (sensing face)	PBT
Teach-Feedback	LED yellow	Housing material	Brass nickel plated
Electrical data		Dimension	30 mm
Response time (factory characteristic)	< 2.5 ms	Housing length	62 mm
Response time (teach in characteristic)	< 3.1 ms	Connection types	Connector M12
Voltage supply range +Vs	15 ... 30 VDC	Tightening torque max.	200 Nm (Front: 140 Nm)
Current consumption max. (no load)	20 mA	Ambient conditions	
		Operating temperature	-10 ... +70 °C
		Protection class	IP 67

Remarks

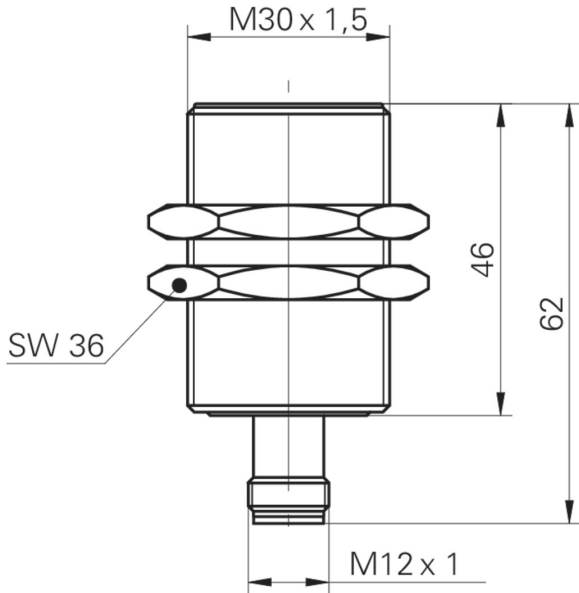
- External Teach-in
- Integrated analog- and switching output
- Linear analog output

IWRM 30Z8704/S14C

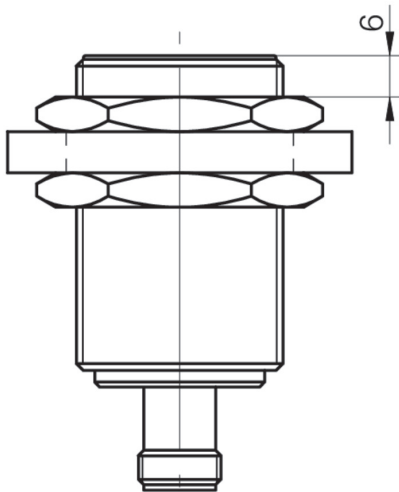
Inductive distance sensors - linearized

Article number: 10161182

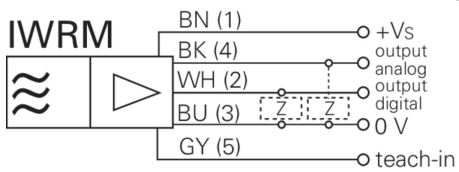
Dimension drawing



Installation drawing



Connection diagram



Accessories**Mounting accessories**

11200030	11200030
11199998	ZADAP-M30.STANDARD
11199999	ZADAP-M30.LONG
11707685	Mounting rod with mounting plate holder 200 mm
11707686	Mounting rod with mounting plate holder 300 mm
11707688	Mounting rod 200 mm
11707697	Mounting rod 250 mm
11707698	Mounting rod with mounting plate holder 250 mm
11707687	Mounting rod 300 mm
11707700	Mounting plate ø30 mm
11707702	Mounting base
11707703	Two-way connector