

IR30.D18L-F60.UA1E.7BO

Inductive distance sensors - linearized

Article number: 11179028

Overview

- 0 ... 18 mm
- voltage output
- external Teach-in
- connector M12
- -25 ... 75 °C
- IP 67



Picture similar



Technical data

General data

Mounting type	Flush
Special type	Linearized
Measuring distance Sd	0 ... 18 mm
Sensitivity	0,56 V/mm
Resolution	< 0.005 mm (stat.) < 0.01 mm (dynam.)
Repeat accuracy	0.02 mm
Adjustment	External Teach-in
Teach	1-point analog, 2-point analog, factory re-set
Linearity error	± 360 µm
Temperature drift	± 6 % (Full Scale)
Teach-Feedback	LED yellow

Electrical data

Response time (factory characteristic)	< 5 ms
Voltage supply range +Vs	12 ... 36 VDC

Electrical data

Current consumption max. (no load)	20 mA
Output circuit	Analog 0 ... 10 VDC
Load resistance	> 4000 Ohm
Short circuit protection	Yes
Reverse polarity protection	Yes

Mechanical data

Design	Cylindrical threaded
Material (sensing face)	PBT
Housing material	Brass nickel plated
Dimension	30 mm
Housing length	60 mm
Connection types	Connector M12
Tightening torque max.	100 Nm

Ambient conditions

Operating temperature	-25 ... +75 °C
Protection class	IP 67

Remarks

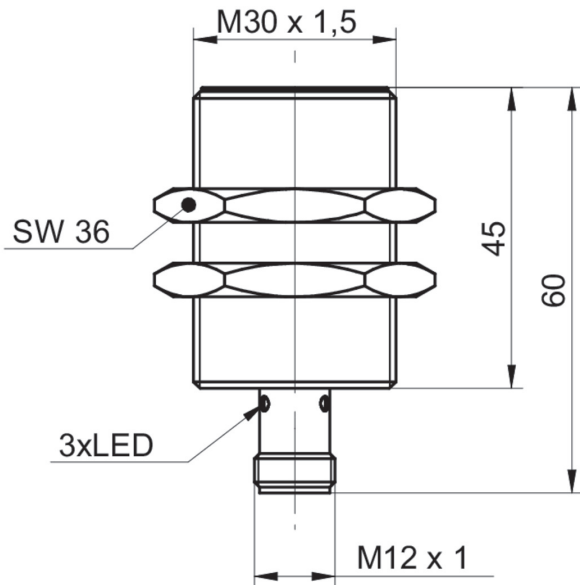
- External Teach-in
- Linear analog output

IR30.D18L-F60.UA1E.7BO

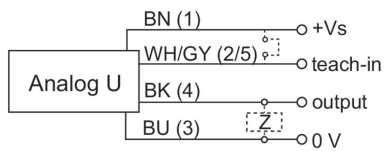
Inductive distance sensors - linearized

Article number: 11179028

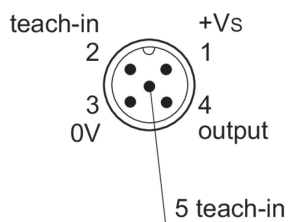
Dimension drawing



Connection diagram



Pin assignment



Accessories**Mounting accessories**

11200030	11200030
11199998	ZADAP-M30.STANDARD
11199999	ZADAP-M30.LONG
11707685	Mounting rod with mounting plate holder 200 mm
11707686	Mounting rod with mounting plate holder 300 mm
11707688	Mounting rod 200 mm
11707697	Mounting rod 250 mm
11707698	Mounting rod with mounting plate holder 250 mm
11707687	Mounting rod 300 mm
11707700	Mounting plate ø30 mm
11707702	Mounting base
11707703	Two-way connector