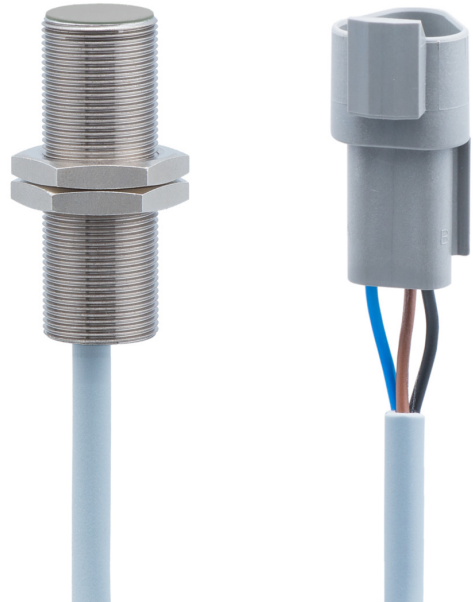


Overview

- 0 ... 8 mm
- voltage output
- flylead connector DT04-3P 3 pin
- -40 ... 85 °C
- Protection class IP68 / IP69K



Picture similar



Technical data

General data

Mounting type	Flush
Special type	Linearized Vehicle
Measuring distance Sd	0 ... 8 mm
Sensitivity	0,5 V/mm
Resolution	< 0.008 mm (stat.) < 0.01 mm (dynam.)
Repeat accuracy	0.016 mm
Linearity error	± 120 µm
Temperature drift	± 8 % (Full Scale)
Approvals/certificates	EN 60947-5-2 / EN 60947-5-7 EN 13309:2010 EN ISO 14982:2009 ISO 13766:2006

Electrical data

Response time (factory characteristic)	< 1 ms
Voltage supply range +Vs	4.75 ... 5.25 VDC
Current consumption max. (no load)	12 mA
Output circuit	Analog 0,5 ... 4,5 VDC

Electrical data

Load resistance	> 4500 Ohm
Short circuit protection	Yes
Off-Highway Electromagnetic immunity	ISO 11452-4: 200mA ISO 11452-2: 100V/m Based on UN / ECE R10 Rev 5 ch. 6.8 (no ECE type approval available)
Off-Highway Emission	EN 55011 Based on UN / ECE R10 Rev 5 ch. 6.5, 6.6 (no ECE type approval available)

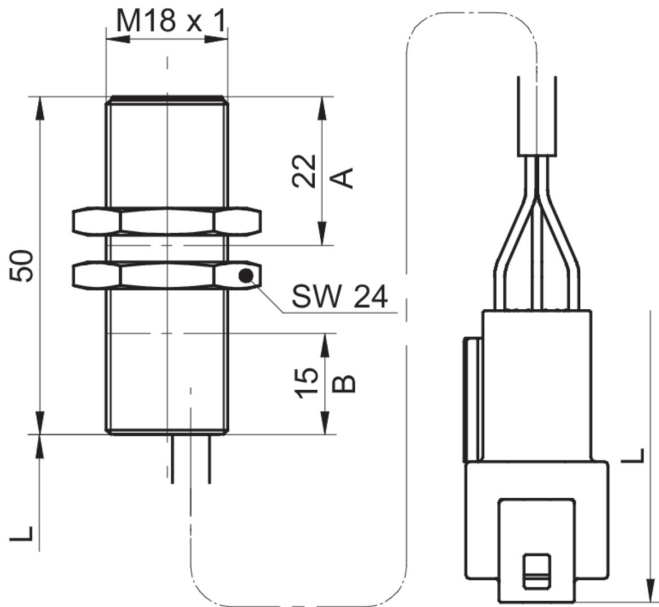
Mechanical data

Design	Cylindrical threaded
Material (sensing face)	PBT
Housing material	Brass nickel plated
Dimension	18 mm
Housing length	50 mm
Connection types	Flylead connector DT04-3P 3 pin
Tightening torque max.	40 Nm (A: 28 Nm, B: 28 Nm)

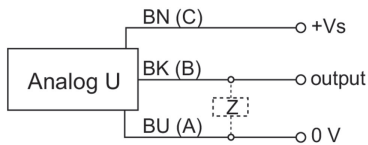
Ambient conditions

Operating temperature	-40 ... +85 °C
Protection class	IP 68 (sensing face/sensor) IP 68 (1,5 m, 24 h) IP 69K (sensing face)

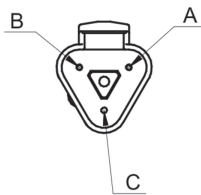
Dimension drawing



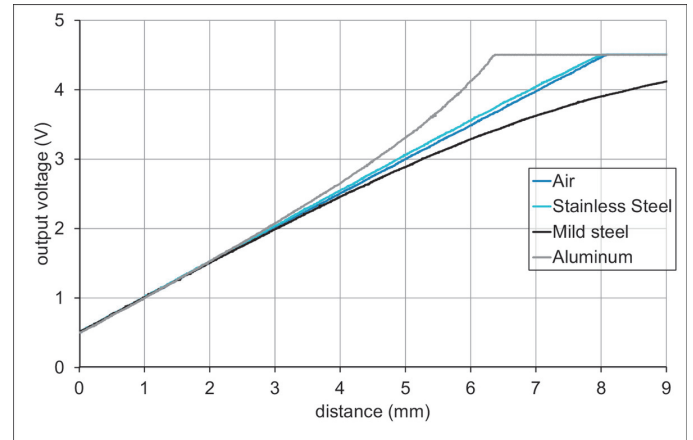
Connection diagram



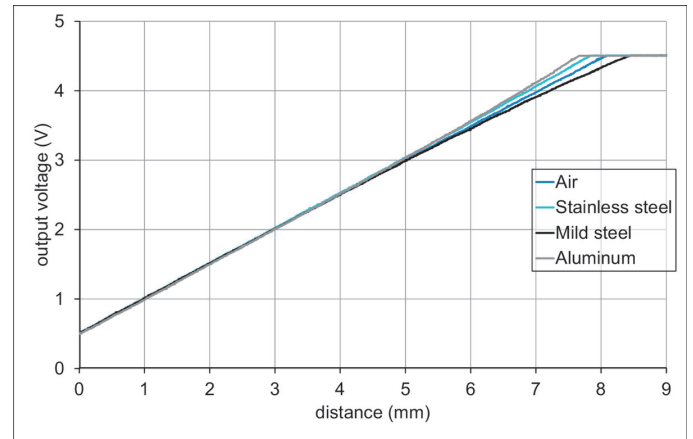
Pin assignment



Flush mounted (typical)



Quasi flush mounted 1/3 Sd (typical)



Accessories

Mounting accessories

10151658	Sensofix series 18
11172096	ZADAP-M18.STANDARD
11171584	ZADAP-M18.SHORT
11172095	ZADAP-M18.LONG
11707685	Mounting rod with mounting plate holder 200 mm
11707686	Mounting rod with mounting plate holder 300 mm
11707688	Mounting rod 200 mm
11707697	Mounting rod 250 mm
11707698	Mounting rod with mounting plate holder 250 mm
11707687	Mounting rod 300 mm
11707699	Mounting plate series 500 and ø18 mm
11707702	Mounting base
11707703	Two-way connector