

Overview

- 0 ... 8 mm
- voltage output
- external Teach-in
- connector M12
- -25 ... 75 °C
- IP 67



Picture similar



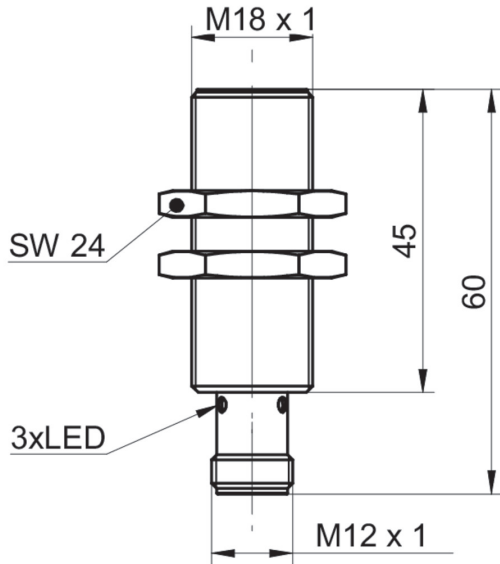
Technical data

General data		Electrical data	
Mounting type	Quasi-flush	Current consumption max. (no load)	15 mA
Special type	Linearized	Output circuit	Analog 0 ... 10 VDC
Measuring distance Sd	0 ... 8 mm	Load resistance	> 4000 Ohm
Sensitivity	1,25 V/mm	Short circuit protection	Yes
Resolution	< 0.002 mm (stat.) < 0.006 mm (dynam.)	Reverse polarity protection	Yes
Repeat accuracy	0.015 mm	Mechanical data	
Adjustment	External Teach-in	Design	Cylindrical threaded
Teach	1-point analog, 2-point analog, factory re-set	Material (sensing face)	PBT
Linearity error	± 32 µm	Housing material	Brass nickel plated
Temperature drift	± 3 % (Full Scale)	Dimension	18 mm
Teach-Feedback	LED yellow	Housing length	60 mm
Electrical data		Connection types	Connector M12
Response time (factory characteristic)	< 1 ms	Tightening torque max.	40 Nm
Voltage supply range +Vs	12 ... 36 VDC	Ambient conditions	
		Operating temperature	-25 ... +75 °C
		Protection class	IP 67

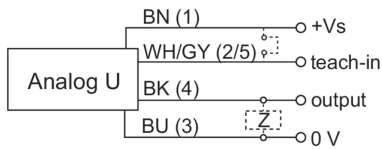
Remarks

- External Teach-in
- Linear analog output

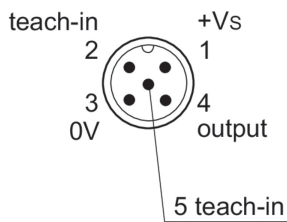
Dimension drawing



Connection diagram



Pin assignment



Accessories**Mounting accessories**

10151658	Sensofix series 18
11172096	ZADAP-M18.STANDARD
11171584	ZADAP-M18.SHORT
11172095	ZADAP-M18.LONG
11707685	Mounting rod with mounting plate holder 200 mm
11707686	Mounting rod with mounting plate holder 300 mm
11707688	Mounting rod 200 mm
11707697	Mounting rod 250 mm
11707698	Mounting rod with mounting plate holder 250 mm
11707687	Mounting rod 300 mm
11707699	Mounting plate series 500 and \varnothing 18 mm
11707702	Mounting base
11707703	Two-way connector