

**Overview**

- 0 ... 3 mm
- voltage output
- Teach-in
- connector M8
- -25 ... 75 °C
- IP 67



Picture similar



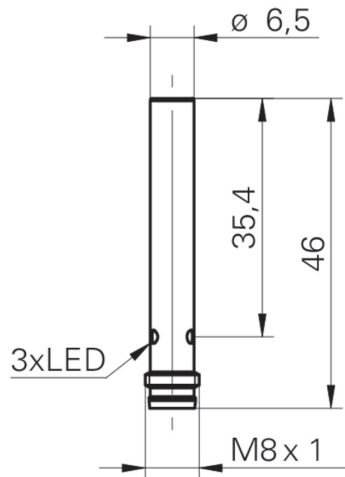
**Technical data**

General data		Electrical data	
Mounting type	Quasi-flush	Voltage supply range +Vs	12 ... 30 VDC
Special type	Linearized	Current consumption max. (no load)	12 mA
Measuring distance Sd	0 ... 3 mm	Output circuit	Analog 0 ... 10 VDC
Sensitivity	3,33 V/mm	Load resistance	> 4000 Ohm
Resolution	< 0.003 mm (stat.) < 0.009 mm (dynam., S = 0 ... 2 mm) < 0.018 mm (dynam., S = 0 ... 3 mm)	Short circuit protection	Yes
Repeat accuracy	0.01 mm	Reverse polarity protection	Yes
Adjustment	Teach-in	Mechanical data	
Linearity error	± 10 µm (S = 0 ... 2 mm) ± 90 µm (S = 0 ... 3 mm)	Design	Cylindrical smooth
Temperature drift	± 2 % (Full Scale: S = 0 ... 2 mm) ± 6 % (Full Scale: S = 0 ... 3 mm)	Material (sensing face)	PBT
Teach-Feedback	LED yellow	Housing material	Stainless steel
Electrical data		Dimension	6.5 mm
Response time (factory characteristic)	< 2 ms	Housing length	46 mm
		Connection types	Connector M8
		Ambient conditions	
		Operating temperature	-25 ... +75 °C
		Protection class	IP 67

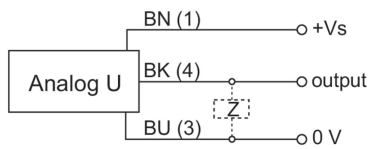
**Remarks**

- Linear analog output
- Magnetic Teach

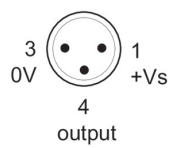
**Dimension drawing**



**Connection diagram**



**Pin assignment**



**Accessories**

**Mounting accessories**

10109474	10109474
10117742	10117742