

Overview

- Distance measuring
- 0 ... 3 mm
- voltage output
- Cable PUR, 2m
- -20... 70 °C
- IP 67



Picture similar



Technical data

General data

| | |
|-----------------------|--|
| Mounting type | Quasi-flush |
| Special type | Linearized |
| Measuring distance Sd | 0 ... 3 mm |
| Sensitivity | 3,33 V/mm |
| Resolution | < 0.003 mm (stat.) < 0.009 mm (dynam., S = 0 ... 2 mm) < 0.018 mm (dynam., S = 0 ... 3 mm) |
| Repeat accuracy | 0.01 mm |
| Adjustment | External Teach-in |
| Linearity error | ± 15 µm (S = 0 ... 2 mm) ± 90 µm (S = 0 ... 3 mm) |
| Temperature drift | ± 2 % (Full Scale: S = 0 ... 2 mm) ± 6 % (Full Scale: S = 0 ... 3 mm) |

Electrical data

| | |
|--|---------------|
| Response time (factory characteristic) | < 2 ms |
| Voltage supply range +Vs | 12 ... 30 VDC |

Electrical data

| | |
|------------------------------------|---------------------|
| Current consumption max. (no load) | 10 mA |
| Output circuit | Analog 0 ... 10 VDC |
| Load resistance | > 4000 Ohm |
| Short circuit protection | Yes |
| Reverse polarity protection | Yes |

Mechanical data

| | |
|-------------------------|-----------------|
| Design | Rectangular |
| Material (sensing face) | PBT |
| Housing material | Stainless steel |
| Dimension | 8 mm |
| Housing length | 24.6 mm |
| Connection types | Cable PUR, 2 m |
| Tightening torque max. | 0.8 Nm |

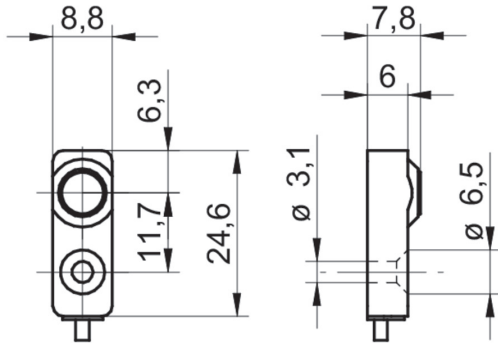
Ambient conditions

| | |
|-----------------------|----------------|
| Operating temperature | -20 ... +70 °C |
| Protection class | IP 67 |

Remarks

- Linear analog output

Dimension drawing



Connection diagram

