

**Overview**

- 0 ... 2 mm
- voltage output
- flylead connector PVC M5, L=200 mm
- 10 ... 60 °C
- IP 67



Picture similar



**Technical data**

**General data**

Mounting type	Flush
Measuring distance Sd	0 ... 2 mm
Resolution	< 0.001 mm (stat.) < 0.005 mm (dynam.)
Repeat accuracy	0.02 mm
Linearity error	± 120 µm
Temperature drift	± 5 % (Full Scale)

**Electrical data**

Response time (factory characteristic)	< 1 ms
Voltage supply range +Vs	12 ... 30 VDC
Current consumption max. (no load)	8 mA
Output circuit	Analog 0 ... 10 VDC

**Electrical data**

Load resistance	> 4000 Ohm
Short circuit protection	Yes
Reverse polarity protection	Yes

**Mechanical data**

Design	Rectangular
Material (sensing face)	PBT
Housing material	Die-cast zinc nickel plated
Dimension	8 mm
Housing length	16 mm
Connection types	Flylead connector PVC M5, L=200 mm
Tightening torque max.	0.8 Nm

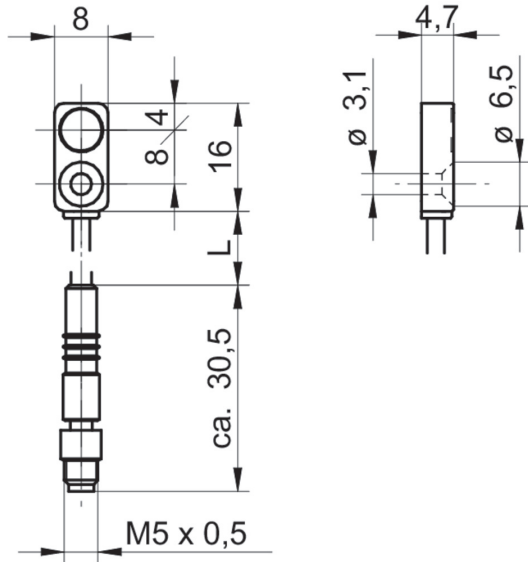
**Ambient conditions**

Operating temperature	10 ... +60 °C
Protection class	IP 67

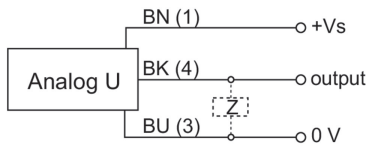
**Remarks**

- Extra flat housing
- Through bore for M3 screw
- Standard cable length 200 mm (L)

**Dimension drawing**



**Connection diagram**



**Pin assignment**

