

**Overview**

- Rectangular miniature sensor for tight spaces
- Lowest serial dispersion due to end-of-line calibration
- Robust even in demanding environments
- Temperature and long-term stable switching behavior



Picture similar



**Technical data**

General data		Mechanical data	
Mounting type	Flush	Housing material	Die-cast zinc nickel plated
Nominal sensing distance Sn	2 mm	Dimension	8 mm
Assured sensing distance Sa	≤ 81 % of Sn	Housing length	40 mm
Real sensing distance Sr	± 10 % von Sn	Connection types	Cable, L=2 m
Temperature drift	± 10 % of Sr	Tightening torque max.	0.8 Nm
Hysteresis	3 ... 20 % of Sr	Weight	34 g
Output indicator	LED red	<b>Ambient conditions</b>	
Correction factor typ.	Mild steel 100 %, stainless steel 75 %, aluminum 50 %, copper 45 %	Operating temperature	-25 ... +75 °C
Reference object	Fe360 8 x 8 x 1 mm	Storage temperature	-25 ... +75 °C
<b>Electrical data</b>		Protection class	IP 67
Switching frequency	5 kHz	Vibration resistance	IEC 60068-2-6:2008 10 g at f = 10 - 2000 Hz, duration 150 min per axis
Voltage supply range +Vs	6 ... 36 VDC	Shock resistance	IEC 60068-2-27:2009 100 g / 6 ms, 10 jolts per axis and direction
Current consumption max. (no load)	12 mA	<b>Safe maximum values</b>	
Output circuit	NPN break function (NC)	MTTF	1556 years
Voltage drop Vd	<2 VDC	Diagnostic coverage (DC)	0 %
Output current	200 mA	<b>Cable</b>	
Short circuit protection	Yes	Cable length	200 cm
Reverse polarity protection	Yes	Shielded	No
<b>Mechanical data</b>		External sheath: Material	PVC
Design	Rectangular	Cable diameter	3 mm
Material (sensing face)	PBT	Wire cross section	0.14 mm <sup>2</sup>
		Insulation: Material	PVC
		Bending radius (fixed)	3 × outer diameter

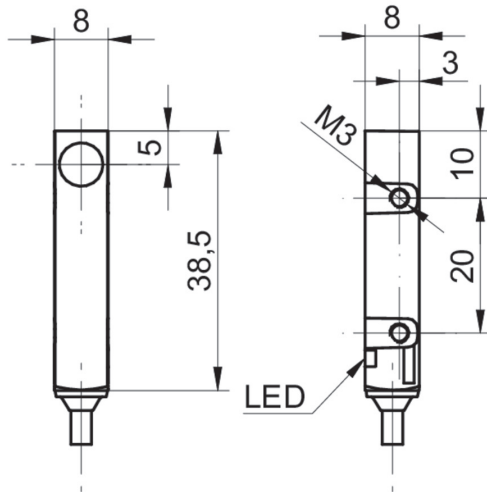
The product features and technical data specified do not express or imply any warranty. Technical modifications subject to change.

**Technical data**

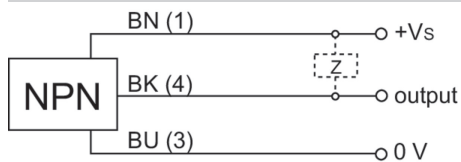
**Cable**

Bending radius (mobile) 10 × outer diameter

**Dimension drawing**



**Connection diagram**



**Response diagram**

