

Overview

- Cylindrical standard housing for versatile use
- Lowest serial dispersion due to end-of-line calibration
- Robust even in demanding environments
- Temperature and long-term stable switching behavior



Picture similar

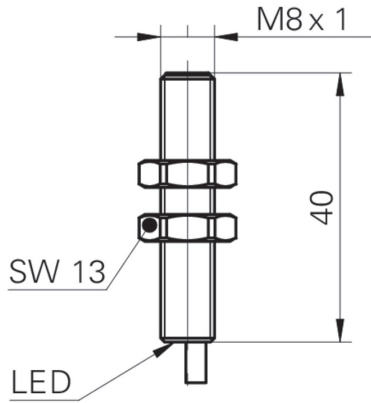


Technical data

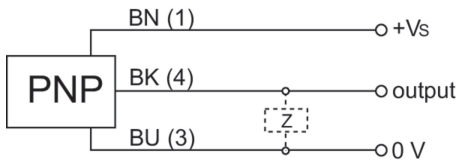
General data		Mechanical data	
Mounting type	Flush	Housing material	Stainless steel (V2A)
Nominal sensing distance Sn	2 mm	Dimension	8 mm
Assured sensing distance Sa	≤ 81 % of Sn	Housing length	40 mm
Real sensing distance Sr	± 10 % von Sn	Connection types	Cable, L=2 m
Temperature drift	± 10 % of Sr	Tightening torque max.	7 Nm
Hysteresis	3 ... 20 % of Sr	Ambient conditions	
Output indicator	LED red	Operating temperature	-25 ... +75 °C
Correction factor typ.	Mild steel 100 %, stainless steel 65 %, aluminum 30 %, copper 25 %	Storage temperature	-25 ... +75 °C
Reference object	Fe360 8 x 8 x 1 mm	Protection class	IP 67
Electrical data		Vibration resistance	IEC 60068-2-6:2008 10 g at f = 10 - 2000 Hz, duration 150 min per axis
Switching frequency	5 kHz	Shock resistance	IEC 60068-2-27:2009 100 g / 6 ms, 10 jolts per axis and direction
Voltage supply range +Vs	6 ... 36 VDC	Safe maximum values	
Current consumption max. (no load)	12 mA	MTTF	2198 years
Output circuit	PNP make function (NO)	Diagnostic coverage (DC)	0 %
Voltage drop Vd	<2 VDC	Cable	
Output current	200 mA	Cable length	200 cm
Short circuit protection	Yes	Shielded	No
Reverse polarity protection	Yes	External sheath: Material	PVC
Mechanical data		Cable diameter	3.0 mm
Design	Cylindrical threaded	Wire cross section	0.14 mm ²
Material (sensing face)	PBT	Insulation: Material	PVC
		Bending radius (fixed)	3 × outer diameter
		Bending radius (mobile)	10 × outer diameter

2024-11-08 The product features and technical data specified do not express or imply any warranty. Technical modifications subject to change.

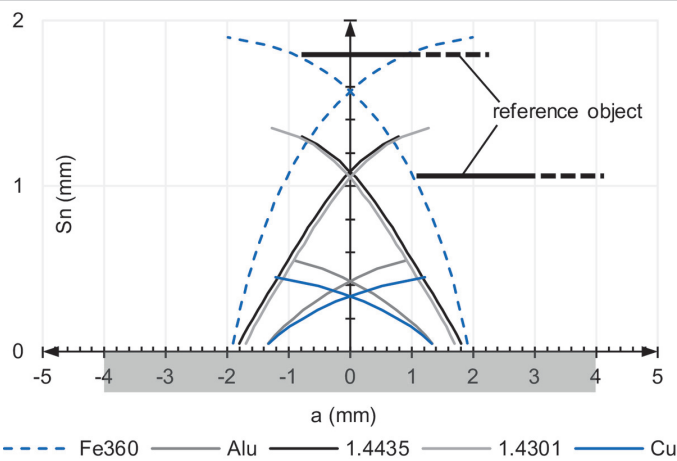
Dimension drawing



Connection diagram



Response diagram



Accessories

Mounting accessories

10151719 Sensofix series 08 round