

# FCE 200DH300

Plastic fiber optic cable

Article number: 11708582

## Overview

- Diffuse type
- Sensing distance up to 232 mm
- Threaded sensing head M3, 90° fiber exit, coaxial fiber layout for increased precision
- Plastic fiber 200 cm long, with bend protection
- Operating temperature up to +70 °C
- For compact fiber optic sensors FVDK 10 and OF10



Picture similar

## Technical data

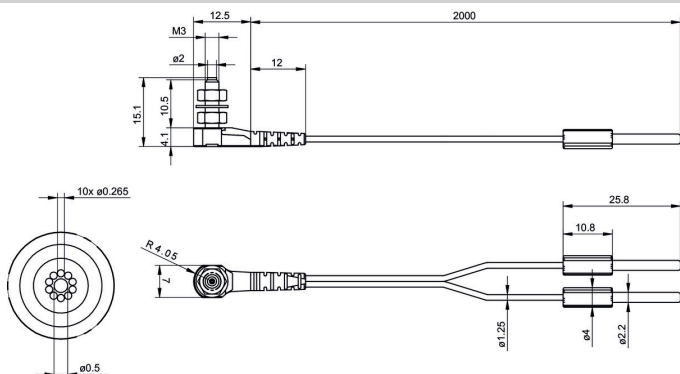
### General data

Particular characteristics	Coaxial fiber layout Bend protection
Operating principle	Diffuse type
Sensing distance Tw	232 mm
Fiber optic head	Cylindrical threaded, 90° fiber exit
Operating temperature	-55 ... +70 °C
Exit angle	60°
Fiber optics can be shortened to length	Yes
Integrated lens	No
Adaptable lens	Yes
Infrared light compatibility (1450 nm)	No

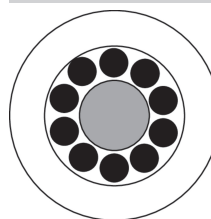
### Mechanical data

Diameter Fiber	0.5 mm
Width / diameter (head)	3 mm
Height / length (head)	15.1 mm
Material (head)	Stainless steel
Thread	M3 x 0.5
Bending radius (fixed)	15 mm
Cable jacket diameter	1.25 mm
Material cable jacket	PE
Material (fiber optic cable)	Plastic
Length (fiber optic cable)	200 cm

## Dimension drawing



## Fiber arrangement

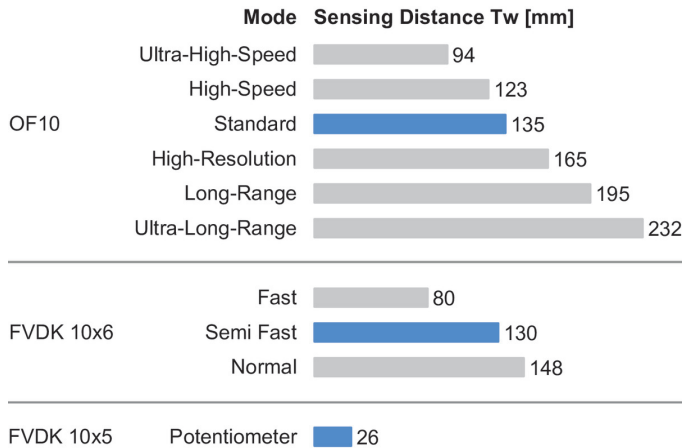


# FCE 200DH300

Plastic fiber optic cable

Article number: 11708582

## Sensing distance diagram



## Accessories

### Fitting fiber optic sensors

11252204	OF10.FR-GW2J.B2NV/A014
11244386	OF10.FR-GW2J.B2CV/A014
11224111	OF10.FR-PW1B.B2N
11224008	OF10.FR-NW1B.B2CV
11224009	OF10.FR-NW1B.B2N
11224110	OF10.FR-PW1B.B2CV
11244384	OF10.FR-GW2J.B2N/A014
10162867	FVDK 10N5101
10162865	FVDK 10N5101/S35A
10162866	FVDK 10P5101
10162864	FVDK 10P5101/S35A
11045446	FVDK 10N66Y0
11045448	FVDK 10N66Y0/S35A
11045460	FVDK 10N66YR
11045445	FVDK 10P66Y0
11045447	FVDK 10P66Y0/S35A
11045449	FVDK 10P66YR
11214490	FVDK 10P66ZR
11214493	FVDK 10P66Z0/S35A
11214478	FVDK 10P66Z0
11214492	FVDK 10N66ZR
11214494	FVDK 10N66Z0/S35A
11214479	FVDK 10N66Z0
11045462	FVDK 10N66YM
11045464	FVDK 10N66YS
11045461	FVDK 10P66YM
11045463	FVDK 10P66YS

### Mounting accessories

11708552	ZTOOL-FBR.CUTTER
----------	------------------

### Lenses and components

11708559	ZADAP-FBR.1_3MM
11708554	ZLENS-FBR.M3_8MM_0.5MM
11708555	ZLENS-FBR.M3_8MM_2MM