

FUE 050B2003

Glass fiber optic cable

Article number: 10259017

Overview

- Diffuse type
- Sensing distance up to 25 mm
- Cylindrical smooth sensing head $\varnothing 3$ mm
- Plastic jacket 50 cm long
- Operating temperature up to +70 °C
- For rugged fiber optic sensors FVDM 15



Picture similar

Technical data

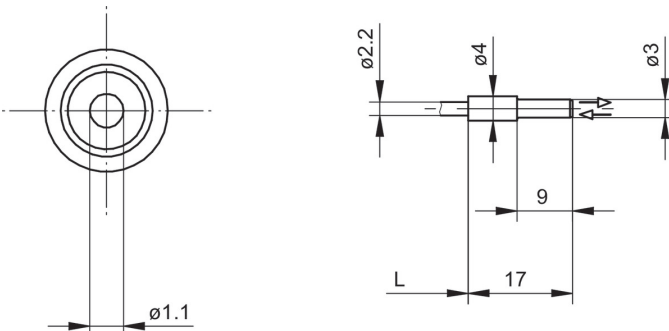
General data

Particular characteristics	Smooth sensing head
Operating principle	Diffuse type
Sensing distance T_w	25 mm
Fiber optic head	Cylindrical smooth
Operating temperature	-25 ... +70 °C
Exit angle	60°
Fiber optics can be shortened to length	No
Integrated lens	No
Adaptable lens	No
Infrared light compatibility (1450 nm)	Yes

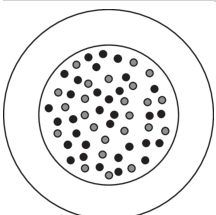
Mechanical data

Width / diameter (head)	3 mm
Height / length (head)	17 mm
Material (head)	Aluminum
Bending radius (fixed)	7.5 mm
Bending radius (mobile)	15 mm
Cable jacket diameter	2.5 mm
Material cable jacket	PVC
Fiber cross section	0.5 mm ²
Material (fiber optic cable)	Glass
Length (fiber optic cable)	50 cm

Dimension drawing



Fiber arrangement



Accessories

Fitting fiber optic sensors

10234639	FVDM 15N5103
10122368	FVDM 15N5103/S14
10234520	FVDM 15P5103
10239451	FVDM 15P5103/S14
10234519	FVDM 15P5130
10124952	FVDM 15P5130/S14

Mounting accessories

10103230	Replacement cap nut for fiber optics series 15
----------	--