

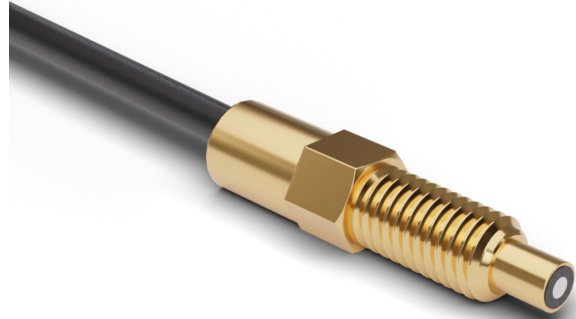
# FUE 050A1001

Glass fiber optic cable

Article number: 10258780

## Overview

- Diffuse type
- Sensing distance up to 230 mm
- Threaded sensing head M6
- Plastic jacket 50 cm long
- Operating temperature up to +70 °C
- For rugged fiber optic sensors FZAM 18 and FZAM 30



Picture similar

## Technical data

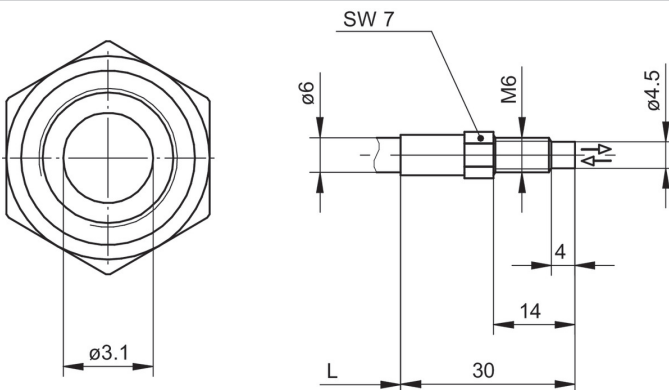
### General data

Operating principle	Diffuse type
Sensing distance Tw	230 mm
Response time / release time	0.25 ... 2.5 ms
Fiber optic head	Cylindrical threaded
Operating temperature	-25 ... +70 °C
Exit angle	60°
Fiber optics can be shortened to length	No
Integrated lens	No
Adaptable lens	No
Infrared light compatibility (1450 nm)	Yes

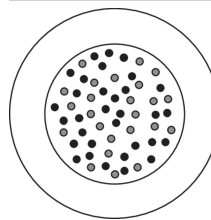
### Mechanical data

Width / diameter (head)	6 mm
Height / length (head)	30 mm
Material (head)	Brass
Thread	M6 x 0.75
Bending radius (fixed)	18 mm
Bending radius (mobile)	36 mm
Cable jacket diameter	6 mm
Material cable jacket	PUR
Fiber cross section	4 mm <sup>2</sup>
Material (fiber optic cable)	Glass
Length (fiber optic cable)	50 cm

## Dimension drawing



## Fiber arrangement



## Sensing distance diagram

Sensor	Sensing Distance Tw [mm]
FZAM 30x5004	230
FZAM 30x5001	110
FZAM 18x1150 & FZAM 18x6460	150
FZAM 18x1155	60

**Accessories****Fitting fiber optic sensors**

10129020	FZAM 18N1150
10129021	FZAM 18N1150/S14
10129023	FZAM 18N1155
10128874	FZAM 18N6460
10128875	FZAM 18N6460/S14
10127712	FZAM 18P1150
10128111	FZAM 18P1150/S14
10127711	FZAM 18P1155
10128118	FZAM 18P6460
10127710	FZAM 18P6460/S14
10215060	FZAM 30N5004
10214166	FZAM 30P5001
10215057	FZAM 30P5004

**Mounting accessories**

10102757	Adapter series 30
10101958	Adjusting plate series 18
10101480	Replacements cap nut for fiber optics series 18
10102801	Cap nut for sensors series 30