

FUE 050B1011

Glass fiber optic cable

Article number: 10217073

Overview

- Diffuse type
- Sensing distance up to 100 mm
- Threaded sensing head M4
- Plastic jacket 50 cm long
- Operating temperature up to +70 °C
- For rugged fiber optic sensors FVDM 15

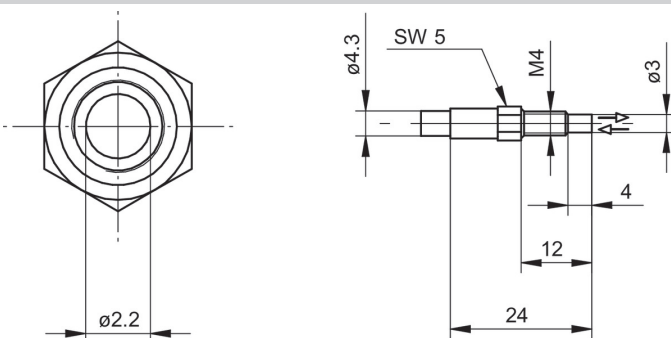


Picture similar

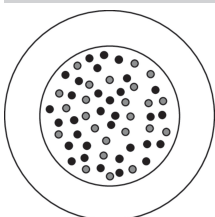
Technical data

General data		Mechanical data	
Operating principle	Diffuse type	Width / diameter (head)	4 mm
Sensing distance Tw	100 mm	Height / length (head)	24 mm
Fiber optic head	Cylindrical threaded	Material (head)	Brass
Operating temperature	-25 ... +70 °C	Thread	M4 x 0.7
Exit angle	60°	Bending radius (fixed)	13.5 mm
Fiber optics can be shortened to length	No	Bending radius (mobile)	27 mm
Integrated lens	No	Cable jacket diameter	4.5 mm
Adaptable lens	No	Material cable jacket	PUR
Infrared light compatibility (1450 nm)	Yes	Fiber cross section	2 mm ²
		Material (fiber optic cable)	Glass
		Length (fiber optic cable)	50 cm

Dimension drawing



Fiber arrangement



Accessories**Fitting fiber optic sensors**

10234639	FVDM 15N5103
10122368	FVDM 15N5103/S14
10234520	FVDM 15P5103
10239451	FVDM 15P5103/S14
10234519	FVDM 15P5130
10124952	FVDM 15P5130/S14

Mounting accessories

10103230	Replacement cap nut for fiber optics series 15
----------	--