

## Vue d'ensemble

- T-Coupler M12 male / 2x M12 female straight 5-pol. / 2x 5-pol.



## Caractéristiques techniques

### Side A

Head A: Connection	M12
Head A: Angle cable outlet	0°
Head A: Gender	Male
Head A: Coding	A
Head A: No. of poles	5
Head A: Width across flats	AF13
Head A: Tightening torque	0,6 Nm
Head A: Knurled nut material	Zinc-pressure die casting, surface Ni
Head A: Body color	Black

### Side B

Head B: Connection	M12
Head B: Angle cable outlet	0°
Head B: Gender	Female
Head B: Coding	A
Head B: No. of poles	5
Head B: Width across flats	AF13
Head B: Tightening torque	0,6 Nm
Head B: Knurled nut material	Zinc-pressure die casting, surface brass
Head B: Body color	Black
Head C: Connection	M12
Head C: Angle cable outlet	0°
Head C: Gender	Female
Head C: Coding	A

### Side C

Head C: No. of poles	5
Head C: Width across flats	AF13
Head C: Tightening torque	0,6 Nm
Head C: Knurled nut material	Zinc-pressure die casting, surface Ni
Head C: Body color	Black

### Cables

Shielded	No
----------	----

### Cable

Shielded	No
----------	----

### Données électriques

Operating voltage	60 V AC/DC
Operating current per contact	4 A

### Données mécaniques

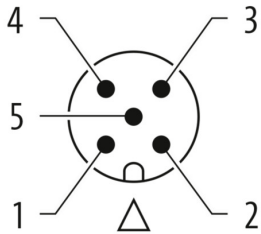
Head A: Degree of protection	IP67
Head B: Degree of protection	IP67
Head C: Degree of protection	IP67

### Conditions ambiantes

Temperature range (fixed)	- 25 ...+ 85 °C
Head A: Pollution degree	3
Head B: Pollution degree	3
Head C: Pollution degree	3

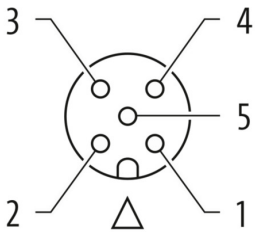
**Side A**

**Coding**

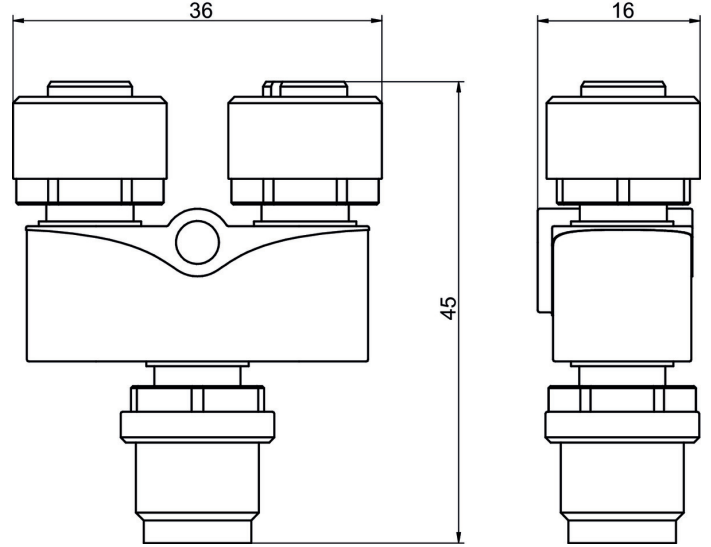


**Side B**

**Coding**



**Dessin d'englobement**



**Schéma de raccordement**

