

Overview

- For voltage ±10 V or current ±20 mA
- For temperature sensors Pt100-3 wires
- Display range can be linearised
- LED display, 4-digits, programmable
- 2 limit presets
- 1 relay output
- Analog output 4...20 mA
- Setpoint generator 4...20 mA
- DIN housing 96 x 48 mm



Technical data

Technical data - electrical ratings

Voltage supply	20...265 VAC 20...265 VDC
Nominal frequency	50 / 60 Hz
Power consumption	3 W
Sensor supply	24 V ±3 V / max. 30 mA
Display	LED, 7-segment display
Display color	1 color - white
Number of digits	4-digits
Digit height	14 mm
Display range	-1999...9999 ("OuE" to signal overflow)
Display refresh	50 ms
Function	Digital display of 1 analog measured value Temperature Setpoint generator
A/D transformer	Principle $\Sigma\Delta$ Resolution 16 bit Measuring rate 20/s Measuring accuracy ±(0.1 % +3-digit)
Analog input	Current. voltage. temperature
Programmable parameters	Measuring range Relay outputs with time delay or hysteresis 2 presets (limits) Analog output Resolution 0.1 or 1 °C/°F
Limits	2
Inputs	Voltage ±10 V Voltage ±200 VDC Current ±20 mA Temperature sensor Pt100 Thermocouple J, K, T, N

Technical data - electrical ratings

Measuring range	Thermocouple J: -150 ... +1100 °C Thermocouple K: -150 ... +1200 °C Thermocouple T: -150 ... +400 °C Thermocouple N: -150 ... +1300 °C Pt 100: -200 ... +800 °C
Data memory	>10 years in EEPROM
Analog output	4 ... 20 mA
Outputs relay	Change-over contact, floating
Standard DIN EN 61010-1	ISO 16750-2 (Electrical loads)
Interference immunity	DIN EN 61326-3-1
Approval	CE

Technical data - mechanical design

Operating temperature	-10...+60 °C
Connection	Spring-loaded terminal connector, detachable
Core cross-section	1.5 mm ²
Protection EN 60529	IP 65 (face)
Operation / keypad	Membrane with softkeys
Housing type	Built-in housing
Dimensions W x H x L	1/8 DIN 96 x 48 x 96 mm
Cutout dimensions	92 x 45 mm (+0.3)
Mounting depth	83 mm
Mounting type	Front panel installation by clip frame
Weight approx.	150 g

Inputs and outputs

Analog input

Input	Range	Resolution	Specification
Current	±20 mA	2 µA	Input resistance 20 Ω
Voltage	±10 V ±200 VDC	1 mV 20 mV	Input resistance 2 MΩ
Temperature Pt100	Offset programmable -9.9...99 °C Measuring current <1 mA	1 or 0.1 °C/°F 15 bit	Line resistance max. 40 Ω
Thermocouple J,K,T,N	Cold junction compensation -10...+60 °C Offset programmable -9.9...99 °C	1 or 0.1 °C/°F 15 bit	Line resistance max. 40 Ω

Temperature range thermo sensor

Temperature	Thermocouple J	Thermocouple K	Thermocouple T	Thermocouple N	Pt100
Degrees Celsius	-150...+1100 °C	-150...+1200 °C	-150...+400 °C	-150...+1300 °C	-200...+800 °C
Degrees Fahrenheit	-238...+2012 °F	-238...+2192 °F	-238...+752 °F	-238...+2372 °F	-328...+1472 °F

Relay outputs

Relay	Switching voltage max.	Switching current max.	Switching performance max.
1x changeover	250 VAC / 110 VDC	1 A	150 VA / 30 W

Analog output

Output	Range	Resolution	Load resistance
Current	4...20 mA	13 bit	Max. 500 Ω

Scaling configurable relating to value display, accuracy ±0.1 %, transformation 20/s

Terminal assignment

Voltage supply

Pin	Assignment VAC	Assignment VDC
1	Phase	-
2	Neutral	+

Analog output

Pin	Assignment
1	4...20 mA (-)
2	4...20 mA (+)

Limit outputs / relay

Pin	Assignment
1	Normally open
2	Changeover
3	Normally closed



Analog inputs / process

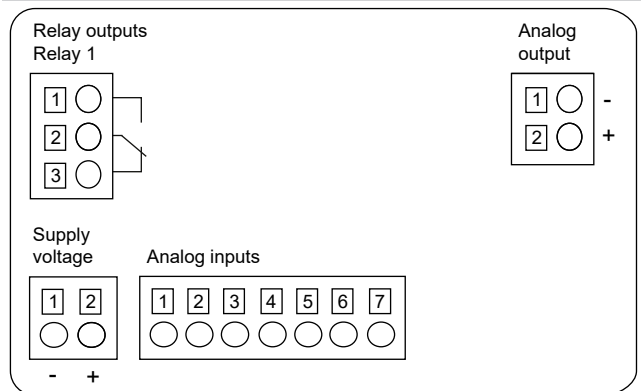
Pin	Assignment
1	IN- / sensor supply
2	n.c.
3	n.c.
4	n.c.
5	20 mA IN+
6	Sensor supply +24 V
7	10 V, 200 V IN+

Terminal assignment

Analog inputs / Pt100 / thermocouple

Pin	Assignment Pt100	Thermocouple
1	Pt100 Common	Thermocouple -
2	Pt100	Thermocouple +
3	n.c.	n.c.
4	Pt100	n.c.
5	n.c.	n.c.
6	n.c.	n.c.
7	n.c.	n.c.

Connection diagram

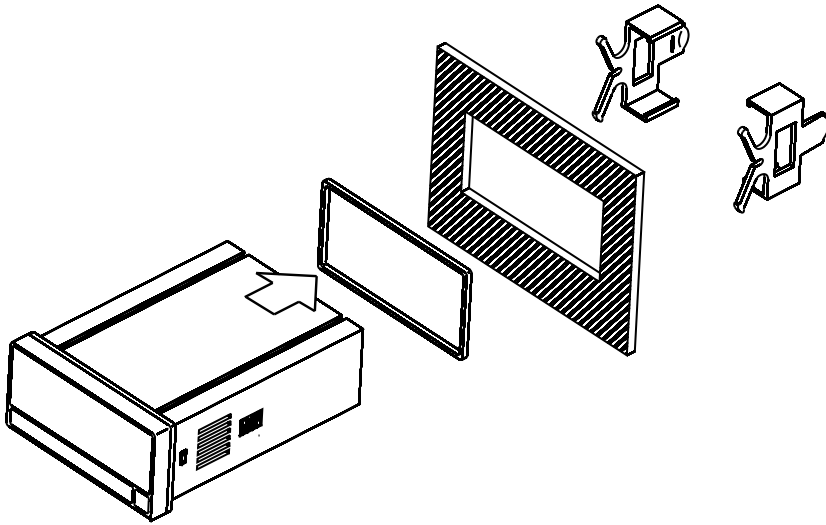
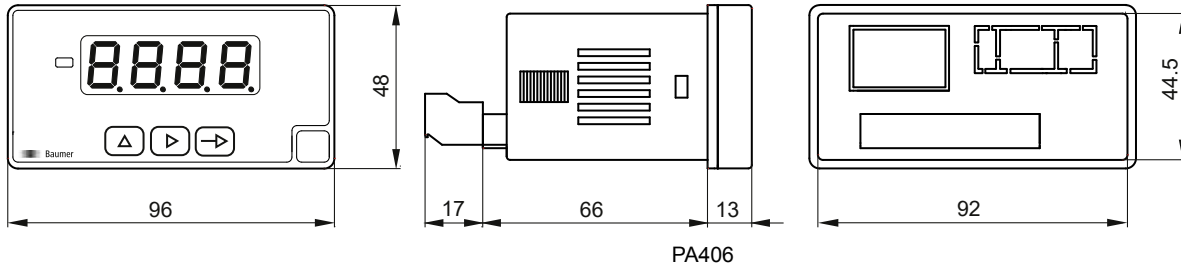


PA406.0F8AX01

For standard signals, temperature & setpoint generator, with 2 limits

Article number: 11041674

Dimensions



Clip frame mounting (Seal and Clamping frame included in the scope of delivery)