

Vue d'ensemble

- M12, female, A-coded, 12-poles; PUR, 100 cm, shielded, free cable end
- Dragchain capable
- Head A: IP67
- Cable: good resistance against chemicals, flames, oils
- Halogen free


Caractéristiques techniques
Side A

| | |
|------------------------------|---------------------------------------|
| Head A: Connection | M12 |
| Head A: Angle cable outlet | 90° |
| Head A: Gender | Female |
| Head A: Coding | A |
| Head A: No. of poles | 12 |
| Head A: LED | No |
| Head A: Width across flats | AF13 |
| Head A: Tightening torque | 0,6 Nm |
| Head A: Knurled nut material | Zinc-pressure die casting, surface Ni |
| Head A: Body color | Black |
| Head A: Gasket material | FKM |
| Labeling sleeve side A | Yes |

Side B

| | |
|------------------------|------------------|
| Head B: Connection | Open-ended wires |
| Labeling sleeve side B | Yes |

Cables

| | |
|---------------------------|----------------------|
| Cable length | 100 cm |
| Length tolerance | + 5 cm |
| Stripping length | 80 mm |
| Shielded | Oui |
| Conductor structure | 18 × 0,1 mm |
| AWG | 26 |
| External sheath: Material | PUR |
| External sheath: Color | Black |
| Cable diameter | 6,5 mm ± 5% |
| Wire cross section | 0,14 mm ² |

Cable

| | |
|-----------------------------------|-----------------|
| Cable: Temperature range (mobile) | - 25 ...+ 80 °C |
| Cable: Temperature range (fixed) | - 40 ...+ 80 °C |
| Shielded | Oui |
| Shielding: Covering | approx. 80 % |
| Shielding attenuation | 80 |
| Bending radius (fixed) | 32,5 mm |
| Number of wires | 12 |
| Number and diameter of wires | 12x0,14 |

Cable

| | |
|---------------------------------|---|
| Length tolerance | + 5 cm |
| Cable length | 100 cm |
| Acceleration (C-track) | max. 5 m/s ² |
| AWG | 26 |
| Bending radius (fixed) | min. 5 × outer diameter |
| Torsion speed | max. 35 cycles/min |
| Bending radius (mobile) | min. 10 × outer diameter |
| Cable type | 3 |
| Cable weight | approx. 67,1 g/m |
| Conductor structure | 18 × 0,1 mm |
| Cable diameter | 6,5 mm ± 5% |
| Conductor: Material | Copper, bare |
| External sheath: Material | PUR |
| Insulation: Material | PP |
| Shielding: Material | Copper, tinned |
| No. of bending cycles (C-track) | approx. 500000 Cycles |
| Nominal voltage | 300 V |
| No. of torsion cycles | approx. 2000000 Cycles |
| Paired stranding | No |
| Single wire diameter | 0,1 mm |
| Cable: Test voltage | 2 kV AC core-core ; 2 kV AC core-shield |
| Torsion stress in ° | ± 30 °/m |
| Total stranding | 3 wires strand, above that 9 wires strand |
| Travel speed (C-track) | max. 3,3 m/s |
| Traversing path (horizontal) | max. 5 m |
| Wire cross section | 0,14 mm ² |
| Wire processing | No |
| Wire diameter incl. isolation | 1 mm ± 5% |
| External sheath: Color | Black |

Données électriques

| | |
|-------------------------------|-----------------|
| Operating voltage | max. 30 V AC/DC |
| Nominal voltage | 300 V |
| Contact resistance | max. 30 mOhm |
| Operating current per contact | max. 1,5 A |

Données mécaniques

| | |
|------------------------------|-------------------|
| Head A: Degree of protection | IP65, IP66K, IP67 |
|------------------------------|-------------------|

Caractéristiques techniques

Données mécaniques

| | |
|---------------------------------|--------------------------|
| Bending radius (mobile) | min. 10 × outer diameter |
| Bending radius (fixed) | min. 5 × outer diameter |
| No. of bending cycles (C-track) | approx. 5000000 Cycles |
| Torsion speed | max. 35 cycles/min |
| Torsion stress in ° | ± 30 °/m |
| No. of torsion cycles | approx. 2000000 Cycles |
| Acceleration (C-track) | max. 5 m/s ² |
| Travel speed (C-track) | max. 3,3 m/s |

Conditions ambiantes

| | |
|----------------------------------|-----------------|
| Temperature range (mobile) | - 25 ...+ 80 °C |
| Temperature range (fixed) | - 25 ...+ 80 °C |
| Cable: Temperature range (fixed) | - 40 ...+ 80 °C |
| Dragchain capable | Oui |

Conditions ambiantes

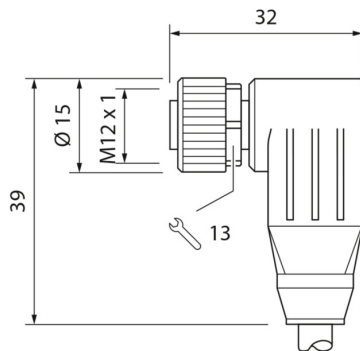
| | |
|-----------------------------------|---|
| Head A: Chemical resistance | No |
| Head A: Flame resistance | HB (UL 94) |
| Head A: Oil resistance | ASTM 1 oil, mineral oils, limited to hydraulic oils |
| Head A: Acid and alkali resistant | No |
| Head A: Pollution degree | 3 |
| Cable: Chemical resistance | Good (DIN EN 60811-404) |
| Cable: Flame resistance | Conform UL 1581 §1090 (H), CSA FT2, IEC 60332-2-2 |
| Cable: Oil resistance | Good (DIN EN 60811-404) |
| Cable: Silicone-free | Oui |

Commercial data

| | |
|--------|----------|
| Eclass | 27060311 |
|--------|----------|

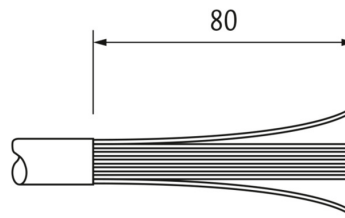
Side A

Technical drawing



Side B

Technical drawing



Coding

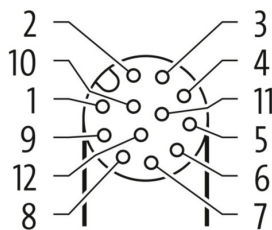


Schéma de raccordement



Dessin d'encombrement

