

Vue d'ensemble

- M12, male, A-coded, 4-poles; PUR, 200 cm, shielded; M12, female, A-coded, 4-poles
- Dragchain capable
- Head A: IP65, IP66K, IP67; Head B: IP65, IP66K, IP67
- Cable: good resistance against chemicals, flames, oils
- Halogen free



Caractéristiques techniques

| Side A | | Cable | |
|-----------------------------------|---------------------------------------|------------------------------------|---|
| Head A: Connection | M12 | Cable: Temperature range (fixed) | - 40 ...+ 80 °C |
| Head A: Angle cable outlet | 0° | Operating voltage (only UL listed) | 30 V AC/DC |
| Head A: Gender | Male | Shielded | Oui |
| Head A: Coding | A | Shielding: Covering | approx. 80 % |
| Head A: No. of poles | 4 | Bending radius (fixed) | 26,5 mm |
| Head A: LED | No | Number of wires | 4 |
| Head A: Width across flats | AF13 | Number and diameter of wires | 4x0,34 |
| Head A: Tightening torque | 0,6 Nm | Length tolerance | + 10 cm |
| Head A: Knurled nut material | Zinc-pressure die casting, surface Ni | Cable length | 200 cm |
| Head A: Body color | Black | Acceleration (C-track) | max. 5 m/s ² |
| Labeling sleeve side A | Yes | AWG | 22 |
| Side B | | Bending radius (fixed) | min. 5 × outer diameter |
| Head B: Connection | M12 | Torsion speed | max. 35 cycles/min |
| Head B: Angle cable outlet | 90° | Bending radius (mobile) | min. 10 × outer diameter |
| Head B: Gender | Female | Cable type | 3 |
| Head B: Coding | A | Cable weight | approx. 50,6 g/m |
| Head B: No. of poles | 4 | Conductor structure | 42 × 0,1 mm |
| Head B: LED | No | Cable diameter | 5,3 mm ± 5% |
| Head B: Width across flats | AF13 | Conductor: Material | Copper, bare |
| Head B: Tightening torque | 0,6 Nm | External sheath: Material | PUR |
| Head B: Knurled nut material | Zinc-pressure die casting, surface Ni | Insulation: Material | PP |
| Head B: Body color | Black | Shielding: Material | Copper, tinned |
| Head B: Gasket material | FKM | No. of bending cycles (C-track) | approx. 5000000 Cycles |
| Labeling sleeve side B | Yes | Nominal voltage | 300 V |
| Cables | | No. of torsion cycles | approx. 2000000 Cycles |
| Cable length | 200 cm | Paired stranding | No |
| Length tolerance | + 10 cm | Single wire diameter | 0,1 mm |
| Shielded | Oui | Cable: Test voltage | 2 kV AC core-core ; 2 kV AC core-shield |
| Conductor structure | 42 × 0,1 mm | Torsion stress in ° | ± 30 °/m |
| AWG | 22 | Total stranding | 4 wires strand |
| External sheath: Material | PUR | Travel speed (C-track) | max. 3,3 m/s |
| External sheath: Color | Black | Traversing path (horizontal) | max. 5 m |
| Cable diameter | 5,3 mm ± 5% | Wire cross section | 0,34 mm ² |
| Wire cross section | 0,34 mm ² | Wire processing | No |
| Cable | | Wire diameter incl. isolation | 1,25 mm ± 5% |
| Cable: Temperature range (mobile) | - 25 ...+ 80 °C | | |

Caractéristiques techniques

Cable

External sheath: Color Black

Données électriques

Operating voltage max. 60 V AC/DC

Operating voltage (only UL listed) 30 V AC/DC

Nominal voltage 300 V

Contact resistance max. 30 mOhm

Operating current per contact max. 4 A

Données mécaniques

Head A: Degree of protection IP65, IP66K, IP67

Head B: Degree of protection IP65, IP66K, IP67

Bending radius (mobile) min. 10 × outer diameter

Bending radius (fixed) min. 5 × outer diameter

No. of bending cycles (C-track) approx. 5000000 Cycles

Torsion speed max. 35 cycles/min

Torsion stress in ° ± 30 °/m

No. of torsion cycles approx. 2000000 Cycles

Acceleration (C-track) max. 5 m/s²

Travel speed (C-track) max. 3,3 m/s

Conditions ambiantes

Temperature range (mobile) - 25 ...+ 80 °C

Temperature range (fixed) - 25 ...+ 80 °C

Conditions ambiantes

Cable: Temperature range (fixed) - 40 ...+ 80 °C

Dragchain capable Oui

Head A: Chemical resistance No

Head A: Flame resistance HB (UL 94)

Head A: Oil resistance ASTM 1 oil, mineral oils, limited to hydraulic oils

Head A: Acid and alkali resistant No

Head A: Pollution degree 3

Head B: Chemical resistance No

Head B: Flame resistance HB (UL 94)

Head B: Oil resistance ASTM 1 oil, mineral oils, limited to hydraulic oils

Head B: Acid and alkali resistant No

Head B: Pollution degree 3

Cable: Chemical resistance Good (DIN EN 60811-404)

Cable: Flame resistance Conform UL 1581 §1090 (H), CSA FT2, IEC 60332-2-2

Cable: Oil resistance Good (DIN EN 60811-404)

Cable: Silicone-free Oui

Commercial data

Eclass 27060311

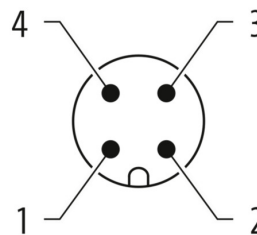
Side A

Technical drawing



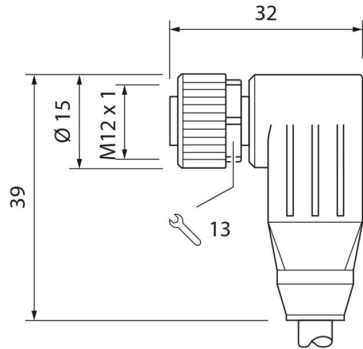
Side A

Coding



Side B

Technical drawing



Dessin d'encombrement



Coding

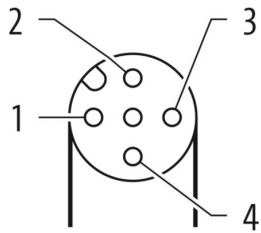


Schéma de raccordement

