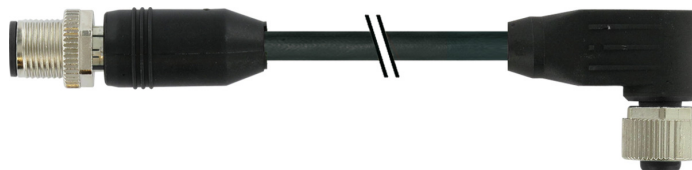


**Vue d'ensemble**

- M12, male, A-coded, 8-poles; PUR, 200 cm, shielded; M12, female, A-coded, 8-poles
- Dragchain capable
- Head A: IP65, IP66K, IP67; Head B: IP65, IP66K, IP67
- Cable: good resistance against chemicals, flames, oils
- Halogen free


**Caractéristiques techniques**

| Side A                            |                                       | Cable                              |   |
|-----------------------------------|---------------------------------------|------------------------------------|---|
| Head A: Connection                | M12                                   | Cable: Temperature range (fixed)   | - 40 ...+ 80 °C                         |
| Head A: Angle cable outlet        | 0°                                    | Operating voltage (only UL listed) | 30 V AC/DC                              |
| Head A: Gender                    | Male                                  | Shielded                           | Oui                                     |
| Head A: Coding                    | A                                     | Shielding: Covering                | approx. 80 %                            |
| Head A: No. of poles              | 8                                     | Bending radius (fixed)             | 35 mm                                   |
| Head A: LED                       | No                                    | Number of wires                    | 8                                       |
| Head A: Width across flats        | AF13                                  | Number and diameter of wires       | 8x0,25                                  |
| Head A: Tightening torque         | 0,6 Nm                                | Length tolerance                   | + 10 cm                                 |
| Head A: Knurled nut material      | Zinc-pressure die casting, surface Ni | Cable length                       | 200 cm                                  |
| Head A: Body color                | Black                                 | Acceleration (C-track)             | max. 5 m/s <sup>2</sup>                 |
| Labeling sleeve side A            | Yes                                   | AWG                                | 24                                      |
| Side B                            |                                       | Bending radius (fixed)             | min. 5 × outer diameter                 |
| Head B: Connection                | M12                                   | Torsion speed                      | max. 35 cycles/min                      |
| Head B: Angle cable outlet        | 90°                                   | Bending radius (mobile)            | min. 10 × outer diameter                |
| Head B: Gender                    | Female                                | Cable type                         | 3                                       |
| Head B: Coding                    | A                                     | Cable weight                       | approx. 66 g/m                          |
| Head B: No. of poles              | 8                                     | Conductor structure                | 32 × 0,1 mm                             |
| Head B: LED                       | No                                    | Cable diameter                     | 7 mm ± 5%                               |
| Head B: Width across flats        | AF13                                  | Conductor: Material                | Copper, bare                            |
| Head B: Tightening torque         | 0,6 Nm                                | External sheath: Material          | PUR                                     |
| Head B: Knurled nut material      | Zinc-pressure die casting, surface Ni | Insulation: Material               | PP                                      |
| Head B: Body color                | Black                                 | Shielding: Material                | Copper, tinned                          |
| Head B: Gasket material           | FKM                                   | No. of bending cycles (C-track)    | approx. 5000000 Cycles                  |
| Labeling sleeve side B            | Yes                                   | Nominal voltage                    | 300 V                                   |
| Cables                            |                                       | No. of torsion cycles              | approx. 2000000 Cycles                  |
| Cable length                      | 200 cm                                | Paired stranding                   | No                                      |
| Length tolerance                  | + 10 cm                               | Single wire diameter               | 0,1 mm                                  |
| Shielded                          | Oui                                   | Cable: Test voltage                | 2 kV AC core-core ; 2 kV AC core-shield |
| Conductor structure               | 32 × 0,1 mm                           | Torsion stress in °                | ± 30 °/m                                |
| AWG                               | 24                                    | Total stranding                    | 8 wires strand around core-filler       |
| External sheath: Material         | PUR                                   | Travel speed (C-track)             | max. 3,3 m/s                            |
| External sheath: Color            | Black                                 | Traversing path (horizontal)       | max. 5 m                                |
| Cable diameter                    | 7 mm ± 5%                             | Wire cross section                 | 0,25 mm <sup>2</sup>                    |
| Wire cross section                | 0,25 mm <sup>2</sup>                  | Wire processing                    | No                                      |
| Cable                             |                                       | Wire diameter incl. isolation      | 1,2 mm ± 5%                             |
| Cable: Temperature range (mobile) | - 25 ...+ 80 °C                       |                                    |   |

**Caractéristiques techniques**

**Cable**

External sheath: Color      Black

**Données électriques**

Operating voltage            max. 30 V AC/DC

Operating voltage (only UL listed)      30 V AC/DC

Nominal voltage              300 V

Contact resistance            max. 30 mOhm

Operating current per contact            max. 2 A

**Données mécaniques**

Head A: Degree of protection      IP65, IP66K, IP67

Head B: Degree of protection      IP65, IP66K, IP67

Bending radius (mobile)          min. 10 × outer diameter

Bending radius (fixed)            min. 5 × outer diameter

No. of bending cycles (C-track)      approx. 5000000 Cycles

Torsion speed                    max. 35 cycles/min

Torsion stress in °                  ± 30 °/m

No. of torsion cycles                approx. 2000000 Cycles

Acceleration (C-track)            max. 5 m/s<sup>2</sup>

Travel speed (C-track)            max. 3,3 m/s

**Conditions ambiantes**

Temperature range (mobile)      - 25 ...+ 80 °C

Temperature range (fixed)        - 25 ...+ 80 °C

**Conditions ambiantes**

Cable: Temperature range (fixed)      - 40 ...+ 80 °C

Dragchain capable                Oui

Head A: Chemical resistance          No

Head A: Flame resistance            HB (UL 94)

Head A: Oil resistance                ASTM 1 oil, mineral oils, limited to hydraulic oils

Head A: Acid and alkali resistant      No

Head A: Pollution degree            3

Head B: Chemical resistance          No

Head B: Flame resistance            HB (UL 94)

Head B: Oil resistance                ASTM 1 oil, mineral oils, limited to hydraulic oils

Head B: Acid and alkali resistant      No

Head B: Pollution degree            3

Cable: Chemical resistance          Good (DIN EN 60811-404)

Cable: Flame resistance              Conform UL 1581 §1090 (H), CSA FT2, IEC 60332-2-2

Cable: Oil resistance                Good (DIN EN 60811-404)

Cable: Silicone-free                Oui

**Commercial data**

Eclass                                27060311

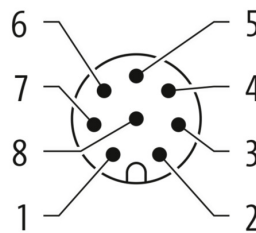
**Side A**

**Technical drawing**



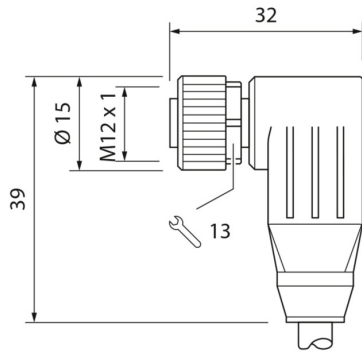
**Side A**

**Coding**



**Side B**

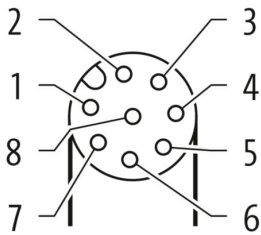
**Technical drawing**



**Dessin d'encombrement**



**Coding**



**Schéma de raccordement**

