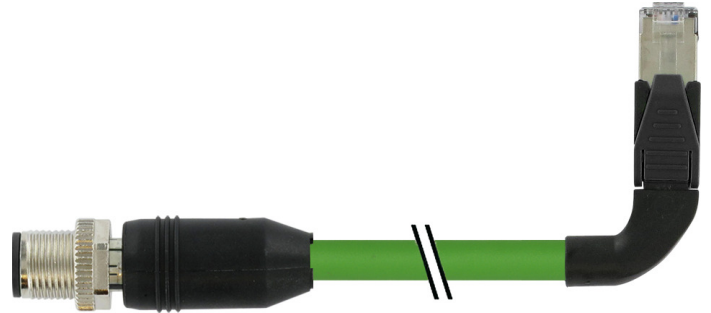


Overview

- M12, male, D-coded, 4-poles; PUR, 1500 cm, shielded; RJ45, male, D-coded, 4-poles
- Dragchain capable, CAT5, 100 Mbit/s
- Head A: IP67; Head B: IP20
- Cable: good resistance against flames, oils
- Halogen free



Technical data

| Side A | | Cable | |
|-----------------------------------|---------------------------------------|---------------------------------|---|
| Head A: Connection | M12 | Characteristic impedance | 100 Ohm ± 15% |
| Head A: Angle cable outlet | 0° | Signal delay | 5.1 ns/m |
| Head A: Gender | Male | Transmission rate | 100 MBit/s |
| Head A: Coding | D | Bending radius (fixed) | 33.5 mm |
| Head A: No. of poles | 4 | Number of wires | 4 |
| Head A: LED | No | Number and diameter of wires | 4x0.355 |
| Head A: Width across flats | AF13 | Length tolerance | ± 22.5 cm |
| Head A: Tightening torque | 0.6 Nm | Cable length | 1500 cm |
| Head A: Knurled nut material | Zinc-pressure die casting, surface Ni | Acceleration (C-track) | max. 2 m/s ² |
| Head A: Body color | Black | AWG | 22 |
| Labeling sleeve side A | Yes | Bending radius (fixed) | min. 5 × outer diameter |
| Side B | | Bending radius (mobile) | min. 12 × outer diameter |
| Head B: Connection | RJ45 | Cable weight | approx. 69.3 g/m |
| Head B: Angle cable outlet | 90° | Conductor structure | 7 × 0.254 mm |
| Head B: Gender | Male | Cable diameter | 6.7 mm ± 5% |
| Head B: No. of poles | 4 | Insulation resistance | min. 5 MOhm x m |
| Head B: LED | No | Conductor: Material | Copper, bare |
| Head B: Body color | Black | External sheath: Material | PUR |
| Labeling sleeve side B | Yes | Insulation: Material | PE |
| Cables | | Shielding: Material | Copper, tinned; PET aluminium coated |
| Cable length | 1500 cm | No. of bending cycles (C-track) | approx. 3000000 Cycles |
| Length tolerance | ± 22.5 cm | Nominal voltage | 300 V |
| Shielded | Yes | Paired stranding | No |
| Conductor structure | 7 × 0.254 mm | Single wire diameter | 0.254 mm |
| AWG | 22 | Cable: Test voltage | 2 kV AC core-core ; 2 kV AC core-shield |
| External sheath: Material | PUR | Total stranding | 4 wires strand around core-filler |
| External sheath: Color | Green | Travel speed (C-track) | max. 3.3 m/s |
| Cable diameter | 6.7 mm ± 5% | Traversing path (horizontal) | max. 5 m |
| Wire cross section | 0.355 mm ² | Wire cross section | 0.355 mm ² |
| Cable | | Wire processing | No |
| Cable: Temperature range (mobile) | - 30 ...+ 70 °C | Wire diameter incl. isolation | 1.4 mm ± 5% |
| Cable: Temperature range (fixed) | - 40 ...+ 80 °C | External sheath: Color | Green |
| Shielded | Yes | Protocols | CAT5e |
| Shielding: Covering | approx. 85 % | Electrical data | |
| | | Operating voltage | max. 60 V DC |

The product features and technical data specified do not express or imply any warranty. Technical modifications subject to change. 2024-06-25

Technical data

Electrical data

| | |
|-------------------------------|--------------|
| Nominal voltage | 300 V |
| Contact resistance | max. 30 mOhm |
| Operating current per contact | max. 1.5 A |

Mechanical data

| | |
|---------------------------------|--------------------------|
| Head A: Degree of protection | IP67 |
| Head B: Degree of protection | IP20 |
| Bending radius (mobile) | min. 12 × outer diameter |
| Bending radius (fixed) | min. 5 × outer diameter |
| No. of bending cycles (C-track) | approx. 3000000 Cycles |
| Acceleration (C-track) | max. 2 m/s ² |
| Travel speed (C-track) | max. 3.3 m/s |

Environmental conditions

| | |
|----------------------------------|-----------------|
| Temperature range (mobile) | - 25 ...+ 70 °C |
| Temperature range (fixed) | - 25 ...+ 80 °C |
| Cable: Temperature range (fixed) | - 40 ...+ 80 °C |
| Dragchain capable | Yes |
| Head A: Chemical resistance | No |

Environmental conditions

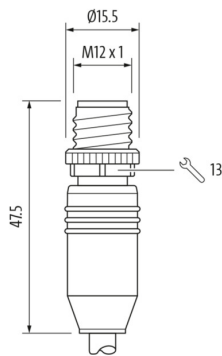
| | |
|-----------------------------------|---|
| Head A: Flame resistance | HB (UL 94) |
| Head A: Oil resistance | ASTM 1 oil, mineral oils, limited to hydraulic oils |
| Head A: Acid and alkali resistant | No |
| Head A: Pollution degree | 3 |
| Head B: Chemical resistance | No |
| Head B: Flame resistance | HB (UL 94) |
| Head B: Oil resistance | ASTM 1 oil, mineral oils, limited to hydraulic oils |
| Head B: Acid and alkali resistant | No |
| Head B: Pollution degree | 3 |
| Cable: Flame resistance | Conform UL 1581 §1090, §1100 (FT2), IEC 60332-1-2 Std. |
| Cable: Oil resistance | Conform IEC 60811-2-1, ASTM IRM 901, ICEA S-82-552 Std. |
| Cable: Silicone-free | Yes |

Commercial data

| | |
|--------|----------|
| Eclass | 27061801 |
|--------|----------|

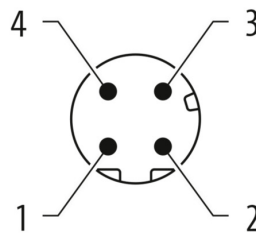
Side A

Technical drawing



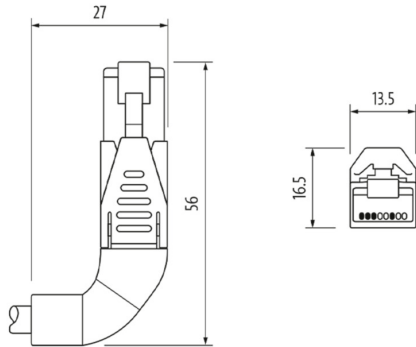
Side A

Coding



Side B

Technical drawing



Dimension drawing



Coding



Connection diagram

