

IDC230.W08

Camera based multicode reader for 1D, 2D codes and text (OCR) - Focal length 8 mm

Article number: 11727456

Overview

- Stationary code reader for reading and checking barcodes (1D) and matrix codes (2D) including GS1
- Text recognition (OCR)
- Part location on contours
- Parameterization in the web browser, no installation of software required
- Easy access via USB or industrial Ethernet
- Clear status information via integrated OLED display
- Simultaneous reading of multiple codes and text at once and checking against default value



Picture similar



EtherNet/IP™

Technical data

Feature checks

Part location	Part location on contours
Identification	Barcode Matrix code Text

Supported Codes

1D codes	2/5 Industrial 2/5 Interleaved Codabar Code 32 (converted from Code 39) Code 39 Code 39 Extended Code 93 Code 128 EAN-8 Add-On 2 EAN-8 Add-On 5 EAN-8 EAN-13 Add-On 2 EAN-13 Add-On 5 EAN-13 GS1 DataBar Expanded Stacked GS1 DataBar Expanded GS1 DataBar Limited GS1 DataBar Omnidirectional GS1 DataBar Stacked Omnidirectional GS1 DataBar Stacked GS1 DataBar Truncated GS1-128 MSI PharmaCode UPC-A Add-On 2 UPC-A Add-On 5 UPC-A UPC-E Add-On 2 UPC-E Add-On 5 UPC-E
----------	--

Supported Codes

2D codes	Data Matrix ECC 200 QR Code Micro QR Code PDF417 Aztec Code DotCode GS1 DataMatrix GS1 QR Code GS1 Aztec Code GS1 DotCode
Font	Sans serif fonts (or similar to: OCR-A, OCR-B, Arial, Tahoma, Courier, Univers, Frutiger, Verdana, Bookman, Franklin Gothic Book, Garamond, Nimbus San T, Palatino, Linotype, Sylfaen, Times New Roman, DIN 1451 Mittelschrift, DIN Neuzzeit Grotesk LT Light, ITC Officina Sans, LT Book, Farrington 7B etc.) Dot Print Characters: A-Z a-z 0-9 + - . : / ()

Optical properties

Reading distance (front edge)	50 ... 1000 mm
Field of View min.	29 x 18 mm
Field of View max.	485 x 303 mm
Min. modul size 1D	0.04 mm / 1.4 mil
Min. modul size 2D	0.07 mm / 2.8 mil
Decoding rate max.	40 codes per second at 1MP
Image sensor	CMOS-Sensor, monochrome, global Shutter
Resolution	1280 x 800 (1MP)
Focal length	8 mm
Focus	Electromechanical auto focus

IDC230.W08

Camera based multicode reader for 1D, 2D codes and text (OCR) - Focal length 8 mm

Article number: 11727456

Technical data

Optical properties

Light source LED illumination with 16 LED, 4 segments individually switchable

Display and controls

Indicator ring 4 RGB LED for pass / fail etc.
 Pointer Green (570 nm), approximate center of image
 Display OLED, 128 x 64 pixels, 0.96" with burn-in protection
 Buttons 2 pcs qTeach buttons

Interfaces and connectors

Software / parametrisation Integrated Webserver for parametrisation
 Interface Gigabit Ethernet, 3/3 digitale I/O, USB (Parametrisierung und HID)
 Protocols PROFINET (CC-A), Ethernet/IP, TCP, FTP, SFTP, USB-HID (virtual keyboard)

Electrical data

Voltage supply range +Vs + 24 VDC ± 20 % , reverse polarity protected
 Power supply Typ. 5.5 W (1.2 A max. at 24 V)
 Electrical connection M12, 12-pin, A-coded, male

Electrical data

Ethernet connection 1000-Mbit/s-Ethernet, M12, 8-pin, X-coded, socket
 USB Connection Type C (HID, parametrization)

Mechanical data

Dimensions (W x H x D) 50 mm x 52 mm x 50 mm
 Weight 350 g

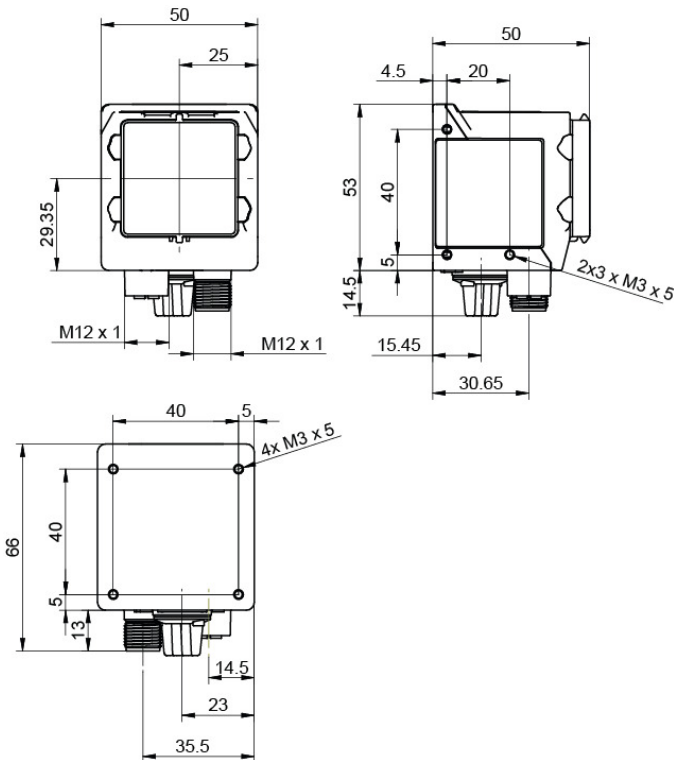
Ambient conditions

Ambient temperature 0 ... + 45 °C
 Storage temperature - 10 ... + 60 °C
 Ambient humidity 0 ... 85 %
 Protection class (IEC 60529) IP 67
 Vibration (sinusoidal) 1 mm p-p at f = 10 - 55 Hz, duration 5 min per axis
 30 min endurance at f = 55 Hz per axis IEC 60068-2-6:2008
 Shock (semi-sinusoidal) 30 g / 11 ms, 6 jolts per axis and direction IEC 60068-2-27:2009

Conformity

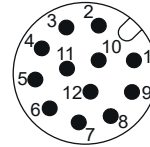
Conformity CE

Dimension drawing



Pin assignment

Electrical connection: Connector M12, 12-pin, A-coded



Pin	Signal
1	Power (+24 VDC ±20%)/2L
2	Ground/2M
3	IN1 (Trigger)
4	IN2
5	IN3
6	OUT1
7	(not used)
8	OUT2
9	OUT3
10	(not used)
11	(not used)
12	(not used)

IDC230.W08

Camera based multicode reader for 1D, 2D codes and text (OCR) - Focal length 8 mm

Article number: 11727456

Pin assignment

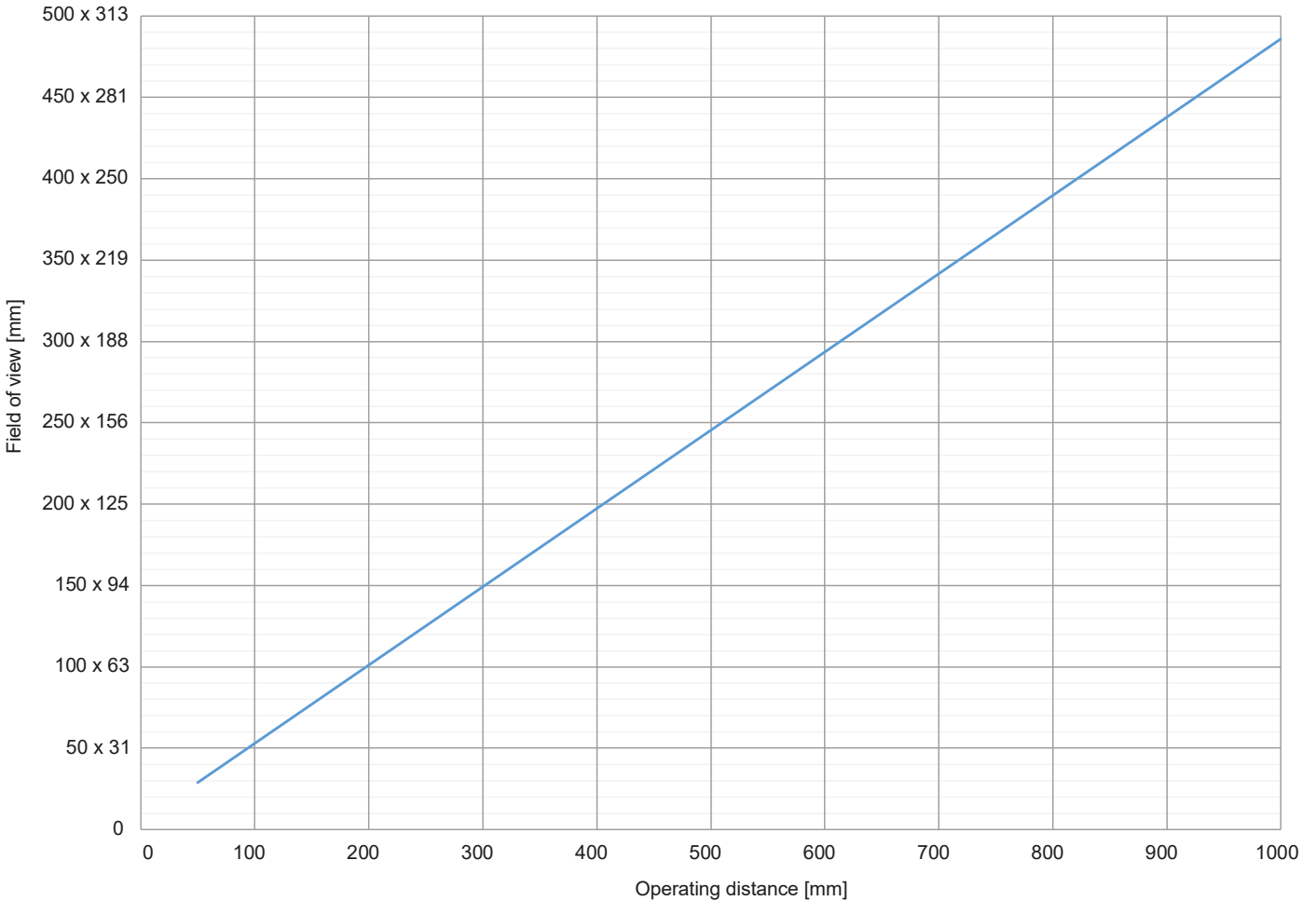
Ethernet connection: GigE, socket M12, 8-pin, X-coded



Pin	Signal
1	RX+
2	RX-
3	TX+
4	TX-
5	-VDC
6	-VDC
7	+VDC
8	+VDC

Diagrams

Field of view



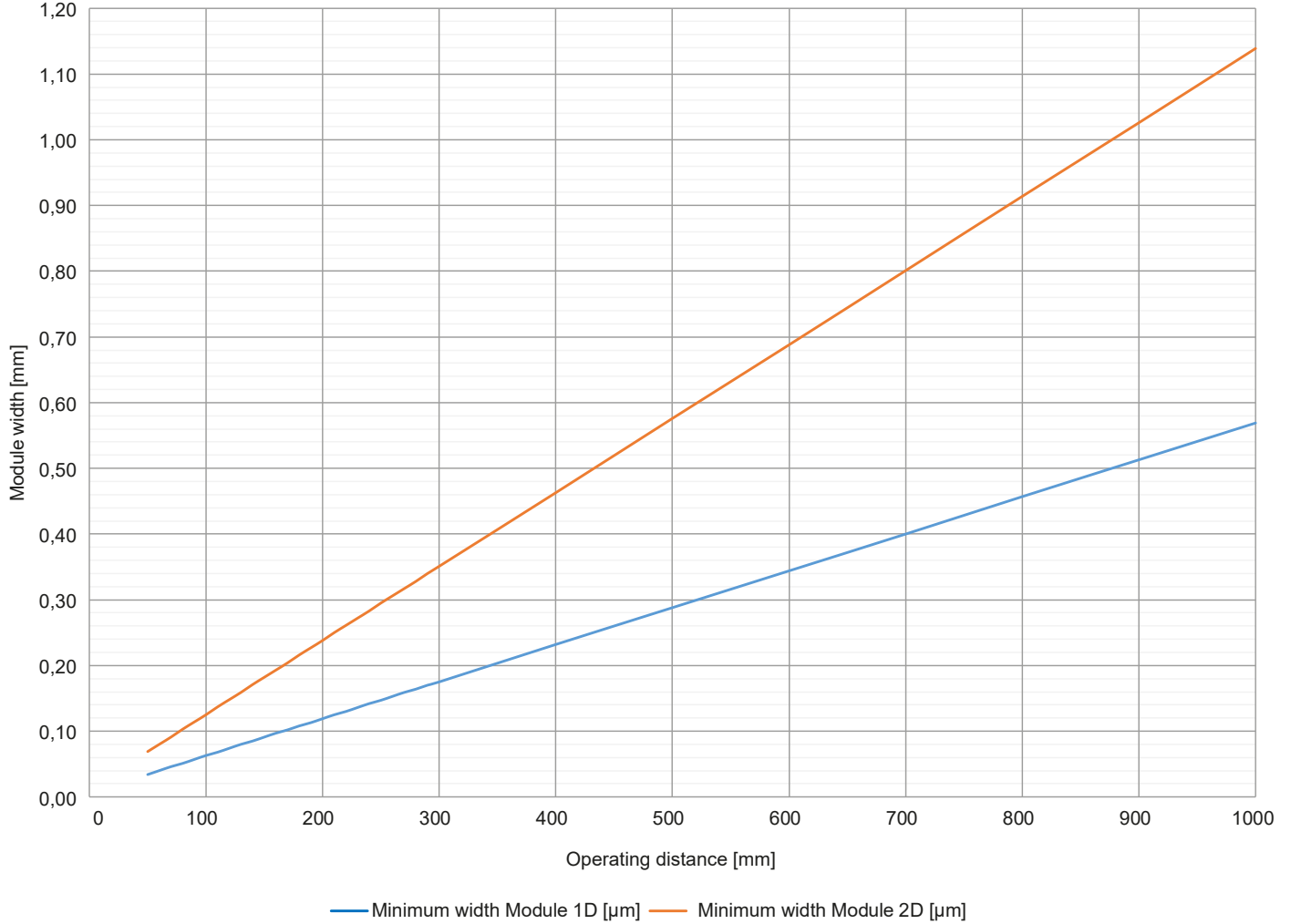
IDC230.W08

Camera based multicode reader for 1D, 2D codes and text (OCR) - Focal length 8 mm

Article number: 11727456

Diagrams

Minimum module width



2024-06-19 The product features and technical data specified do not express or imply any warranty. Technical modifications subject to change.

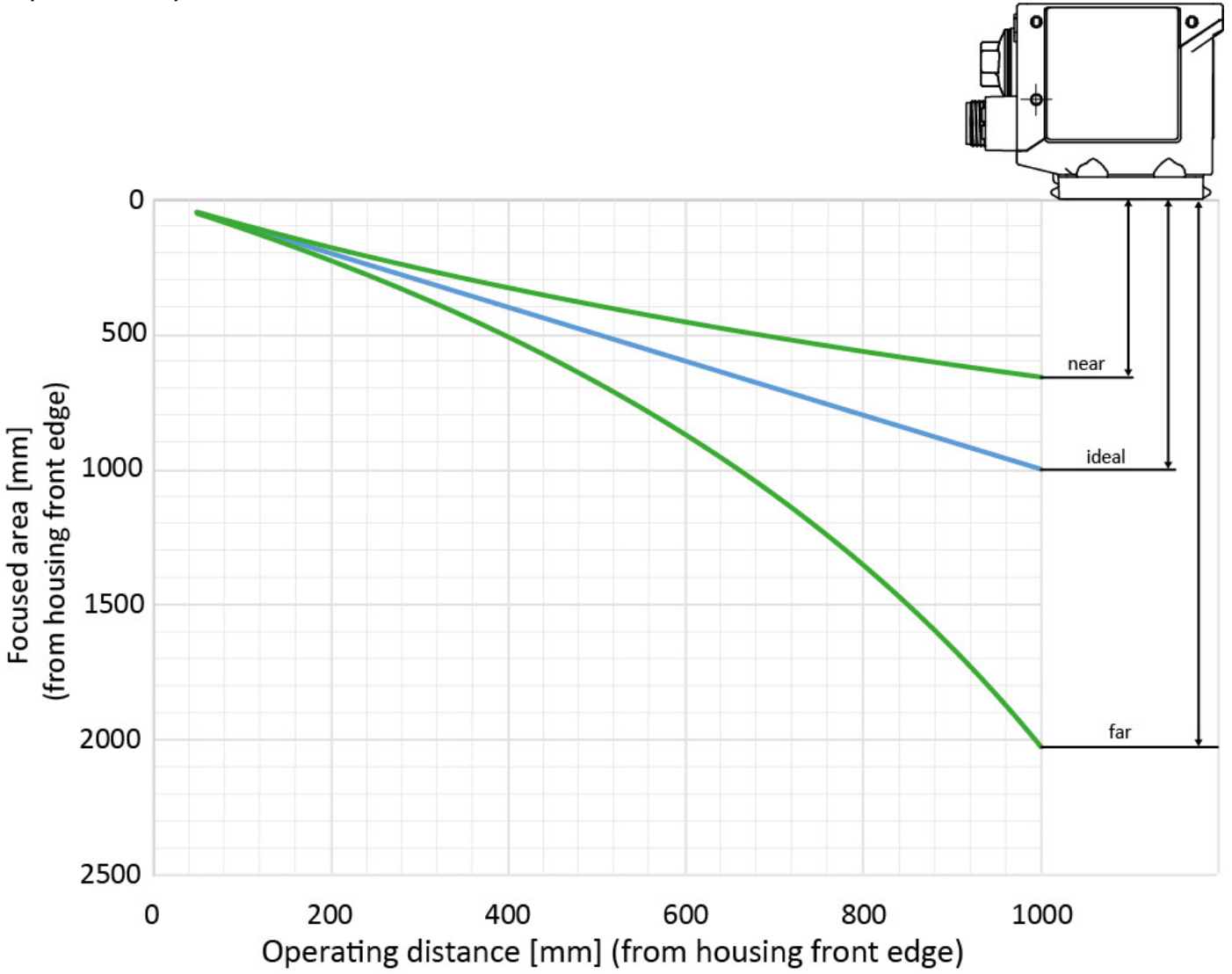
IDC230.W08

Camera based multicode reader for 1D, 2D codes and text (OCR) - Focal length 8 mm

Article number: 11727456

Diagrams

Depth of focus at operation distance



2024-06-19 The product features and technical data specified do not express or imply any warranty. Technical modifications subject to change.