

IDC200.W16

Camera based multicode reader for 1D and 2D codes - Focal length 16 mm

Article number: 11704587

Overview

- Stationary code reader for reading and checking barcodes (1D) and matrix codes (2D) including GS1
- Part location on contours
- Parameterization in the web browser, no installation of software required
- Easy access via USB or industrial Ethernet
- Clear status information via integrated OLED display
- Simultaneous reading of multiple codes at once and checking against default value



Picture similar



EtherNet/IP™

Technical data

Feature checks

Part location	Part location on contours
Identification	Barcode Matrix code

Supported Codes

1D codes	2/5 Industrial 2/5 Interleaved Codabar Code 32 (converted from Code 39) Code 39 Code 39 Extended Code 93 Code 128 EAN-8 Add-On 2 EAN-8 Add-On 5 EAN-8 EAN-13 Add-On 2 EAN-13 Add-On 5 EAN-13 GS1 DataBar Expanded Stacked GS1 DataBar Expanded GS1 DataBar Limited GS1 DataBar Omnidirectional GS1 DataBar Stacked Omnidirectional GS1 DataBar Stacked GS1 DataBar Truncated GS1-128 MSI PharmaCode UPC-A Add-On 2 UPC-A Add-On 5 UPC-A UPC-E Add-On 2 UPC-E Add-On 5 UPC-E
----------	--

Supported Codes

2D codes	Data Matrix ECC 200 QR Code Micro QR Code PDF417 Aztec Code DotCode GS1 DataMatrix GS1 QR Code GS1 Aztec Code GS1 DotCode
----------	--

Optical properties

Reading distance (front edge)	100 ... 1000 mm
Field of View min.	23 x 14 mm
Field of View max.	240 x 150 mm
Min. modul size 1D	0.03 mm / 1.2 mil
Min. modul size 2D	0.06 mm / 2.3 mil
Decoding rate max.	40 codes per second at 1MP
Image sensor	CMOS-Sensor, monochrome, global Shutter
Resolution	1280 x 800 (1MP)
Focal length	16 mm
Focus	Electromechanical auto focus
Light source	LED illumination with 16 LED, 4 segments individually switchable

Display and controls

Indicator ring	4 RGB LED for pass / fail etc.
Pointer	Green (570 nm), approximate center of image
Display	OLED, 128 x 64 pixels, 0.96" with burn-in protection
Buttons	2 pcs qTeach buttons

IDC200.W16

Camera based multicode reader for 1D and 2D codes - Focal length 16 mm

Article number: 11704587

Technical data

Interfaces and connectors

Software / parametrisation	Integrated Webserver for parametrisation
Interface	Gigabit Ethernet, 3/3 digitale I/O, USB (Parametrisierung und HID)
Protocols	PROFINET (CC-A), Ethernet/IP, TCP, FTP, SFTP, USB-HID (virtual keyboard)

Electrical data

Voltage supply range +Vs	+ 24 VDC \pm 20 % , reverse polarity protected
Power supply	Typ. 5.5 W (1.2 A max. at 24 V)
Electrical connection	M12, 12-pin, A-coded, male
Ethernet connection	1000-Mbit/s-Ethernet, M12, 8-pin, X-coded, socket
USB Connection	Type C (HID, parametrization)

Mechanical data

Dimensions (W x H x D)	50 mm x 52 mm x 50 mm
------------------------	-----------------------

Mechanical data

Weight	350 g
--------	-------

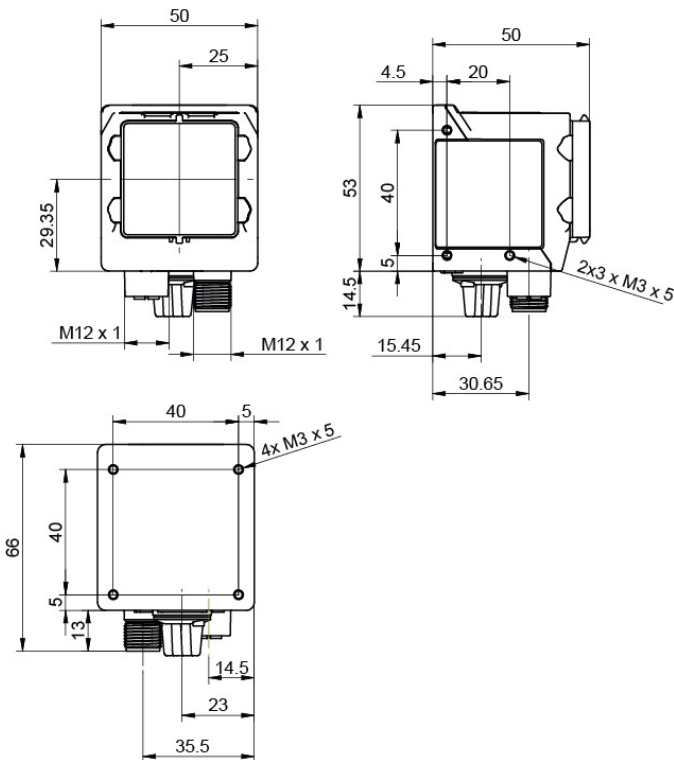
Ambient conditions

Ambient temperature	0 ... + 45 °C
Storage temperature	- 10 ... + 60 °C
Ambient humidity	0 ... 85 %
Protection class (IEC 60529)	IP 67
Vibration (sinusoidal)	1 mm p-p at f = 10 - 55 Hz, duration 5 min per axis 30 min endurance at f = 55 Hz per axis IEC 60068-2-6:2008
Shock (semi-sinusoidal)	30 g / 11 ms, 6 jolts per axis and direction IEC 60068-2-27:2009

Conformity

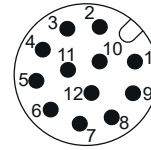
Conformity	CE
------------	----

Dimension drawing



Pin assignment

Electrical connection: Connector M12, 12-pin, A-coded



Pin	Signal
1	Power (+24 VDC \pm 20%)/2L
2	Ground/2M
3	IN1 (Trigger)
4	IN2
5	IN3
6	OUT1
7	(not used)
8	OUT2
9	OUT3
10	(not used)
11	(not used)
12	(not used)

IDC200.W16

Camera based multicode reader for 1D and 2D codes - Focal length 16 mm

Article number: 11704587

Pin assignment

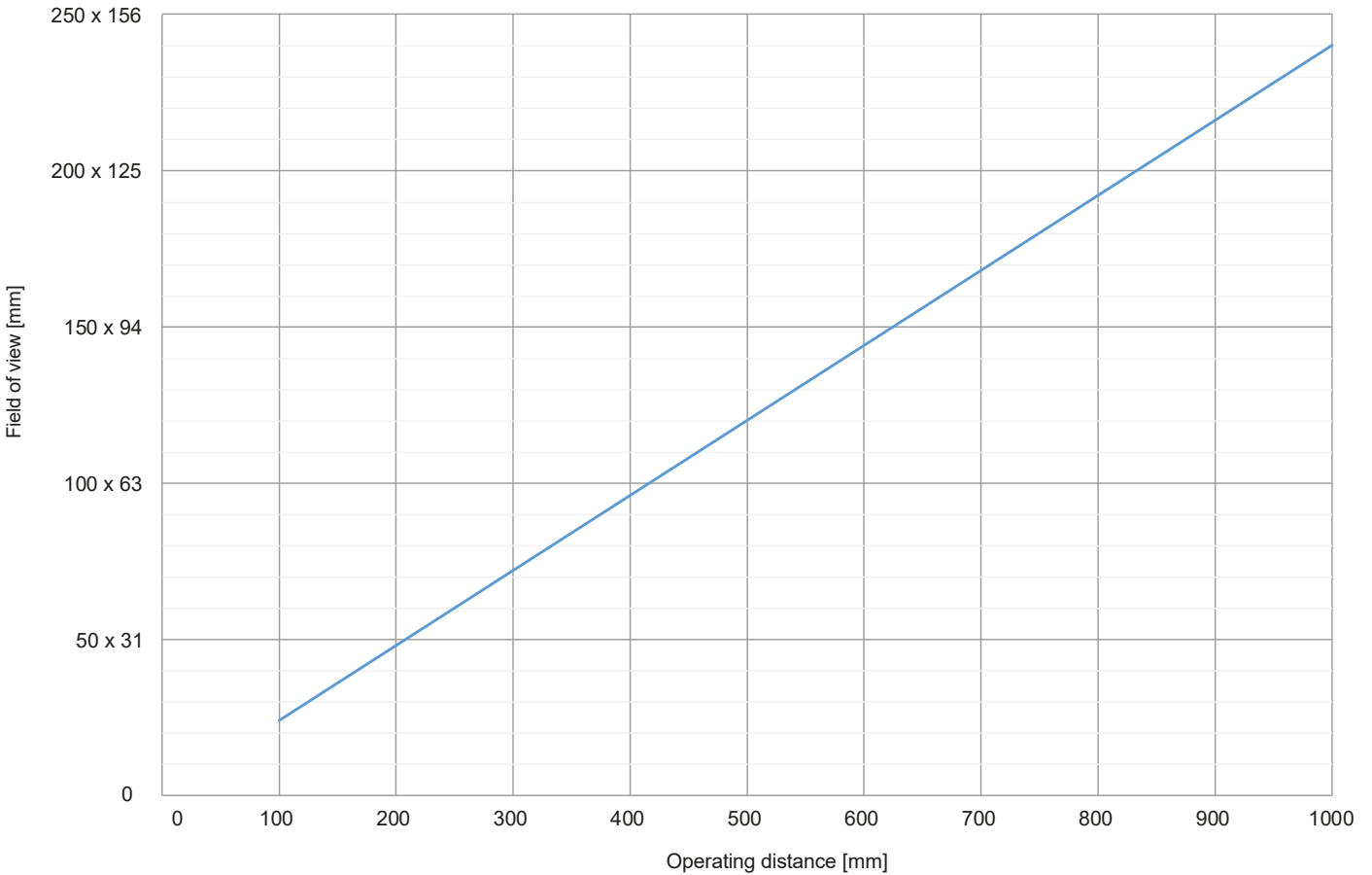
Ethernet connection: GigE, socket M12, 8-pin, X-coded



Pin	Signal
1	RX+
2	RX-
3	TX+
4	TX-
5	-VDC
6	-VDC
7	+VDC
8	+VDC

Diagrams

Field of view



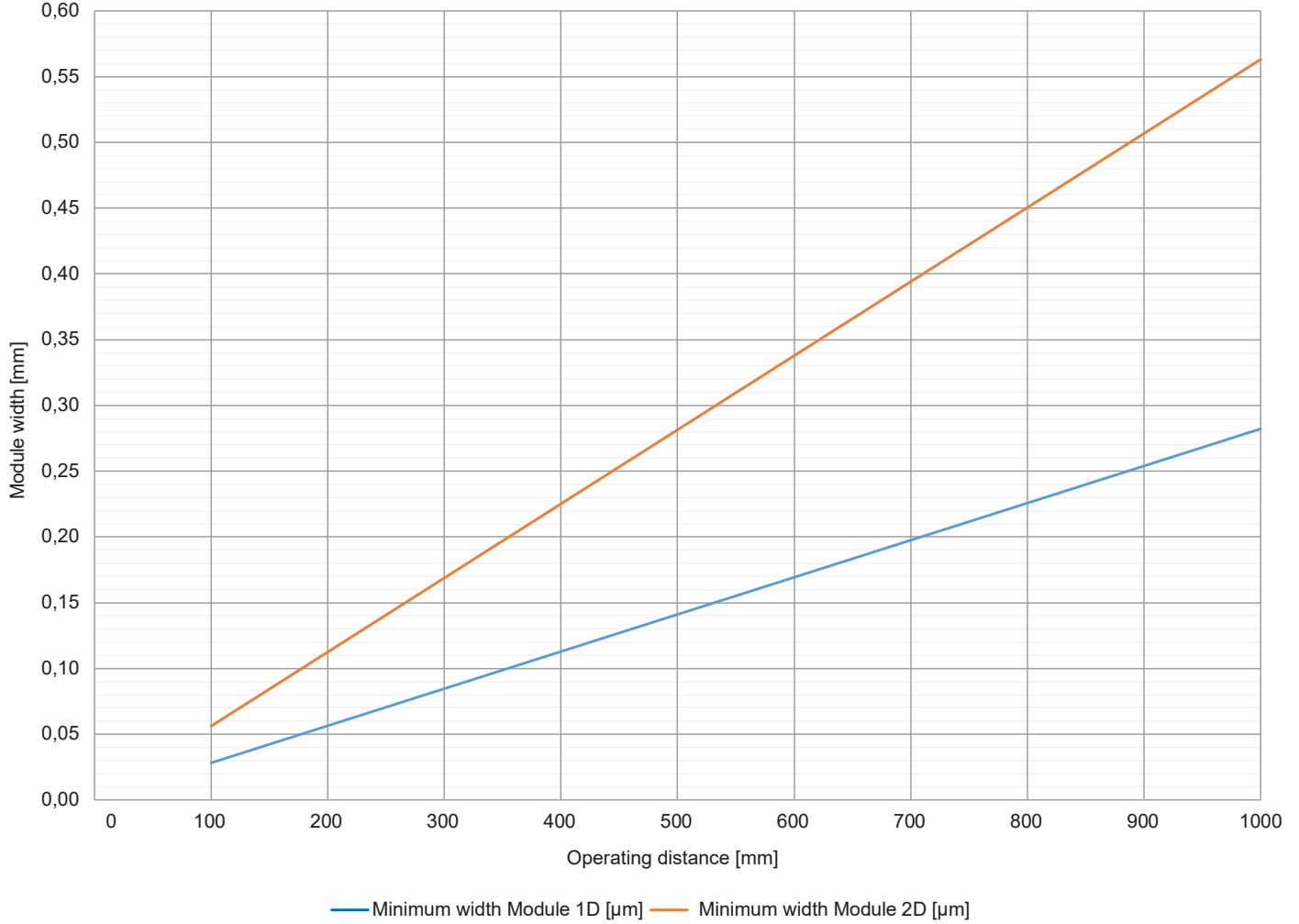
IDC200.W16

Camera based multicode reader for 1D and 2D codes - Focal length 16 mm

Article number: 11704587

Diagrams

Minimum module width



Diagrams

Depth of focus at operation distance

