

GBMMW

High resolution, solid shaft

Optical multiturn encoders 18 bit ST / 13 bit MT

Overview

- Encoder multiturn / bus cover
- Optical sensing method
- Total resolution up to 31 bit
- Clamping or synchro flange
- High resistance to shock and vibrations
- CANopen®, EtherCAT, EtherNet/IP, SAEJ1939, PROFINET, Profibus, SSI
- Code continuity check optional by bus
- Maximum resistant against magnetic fields



Technical data

Technical data - electrical ratings

Voltage supply	10...30 VDC
Reverse polarity protection	Yes
Consumption w/o load	≤100 mA (24 VDC)
Initializing time typ.	250 ms after power on
Interface	CANopen® EtherCAT EtherNet/IP Profibus PROFINET SAE J1939 SSI
Function	Multiturn
Device adress	Rotary switches in bus cover
Steps per revolution	≤262144 / 18 bit
Number of revolutions	≤8192 / 13 bit
Absolute accuracy	±0.01 °
Sensing method	Optical
Code	Binary
Code sequence	CW/CCW programmable
Interference immunity	EN 61000-6-2
Emitted interference	EN 61000-6-4
Programmable parameters	Steps per revolution Number of revolutions Preset Scaling Rotating direction
Diagnostic function	Position or parameter error Multiturn sensing

Technical data - electrical ratings

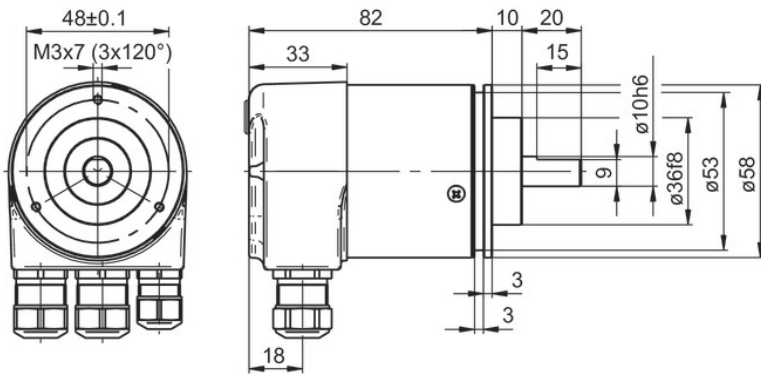
Status indicator	DUO-LED integrated in bus cover
Approval	UL approval / E63076
Technical data - mechanical design	
Size (flange)	ø58 mm
Shaft type	ø10 mm solid shaft (clamping flange) ø6 mm solid shaft (synchro flange)
Flange	Clamping or synchro flange
Protection EN 60529	IP 54 (without shaft seal) IP 65 (with shaft seal)
Operating speed	≤10000 rpm (mechanical) ≤6000 rpm (electric)
Starting acceleration	≤1000 U/s ²
Starting torque	≤0.015 Nm (+25 °C, IP 54) ≤0.03 Nm (+25 °C, IP 65)
Rotor moment of inertia	20 gcm ²
Admitted shaft load	≤20 N axial ≤40 N radial
Material	Housing: steel Flange: aluminium Bus cover: zinc die-cast
Operating temperature	-25...+85 °C -40...+85 °C (optional)
Relative humidity	95 % non-condensing
Resistance	EN 60068-2-6 Vibration 10 g, 16-2000 Hz EN 60068-2-27 Shock 200 g, 6 ms
Weight approx.	600 g
Connection	Bus cover

GBMMW

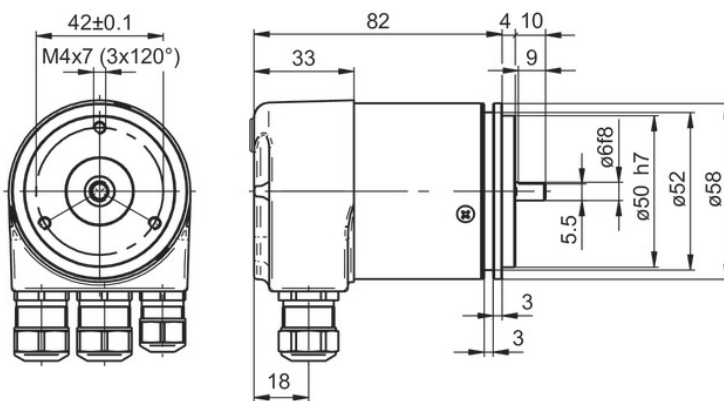
High resolution, solid shaft

Optical multiturn encoders 18 bit ST / 13 bit MT

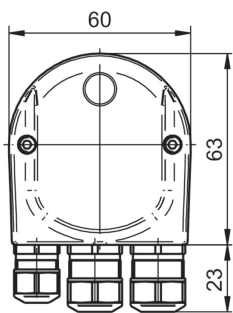
Dimensions



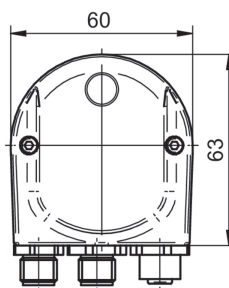
GBMMW - clamping flange



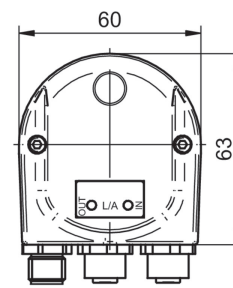
GBMMW - synchro flange



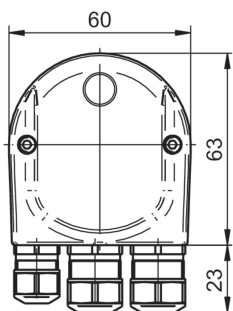
Profibus-DP



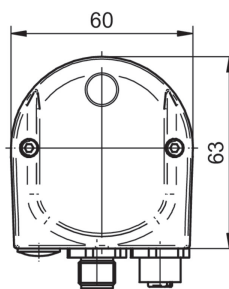
Profibus-DP - M12



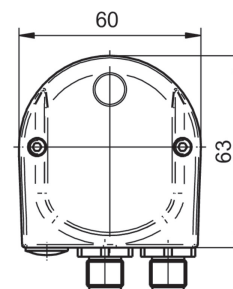
EtherCAT/EtherNet-IP



SAEJ1939



SAEJ1939 - M12



SSI

GBMMW

High resolution, solid shaft

Optical multiturn encoders 18 bit ST / 13 bit MT

Ordering reference

		GBMMW	.	#	20	####
Product		GBMMW				
Flange / Solid shaft						
	Clamping flange / ø10 mm, IP 54					0
	Clamping flange / ø10 mm, IP 65					A
	Synchro flange / ø6 mm, IP 54					1
	Synchro flange / ø6 mm, IP 65					B
Voltage supply						
	10...30 VDC					20
Interface						
	Profibus-DPV0 / cable gland					3P32
	Profibus-DPV0 / connector M12					3PA2
	Profibus-DPV2 / cable gland					3V32
	Profibus-DPV2 / connector M12					3VA2
	PROFINET / connector M12					3EA2
	EtherCAT / connector M12					EPA6
	EtherNet/IP / connector M12					8EA2
	CANopen® / cable gland					5P32
	CANopen® / connector M12					5PA2
	SSI / connector M12					2PA2
	SAEJ1939 / cable gland					5B32
	SAEJ1939 / connector M12					5BA2

Accessories

Mounting accessories

11065545	Set of eccentric fixings type A
10141255	Adaptor plate for clamping flange to convert into synchro flange
10117667	Mounting adaptor
10117668	Set of eccentric fixings for mounting clamp (10117667)
10125051	Mounting adaptor
10158124	Bearing flange for encoders with synchro flange (Z 119.035)
10141132	Spring washer coupling (D1=6 / D2=10)

Programming accessories

11034193	Programming cable for encoders with SSI bus cover, CD with software and manual (Z 139.008)
----------	--------------------------------------------------------------------------------------------