

Tube M47 hard anodized scratchproof HRF

Article number: 11727393

Overview

- hard anodized lens protection with scratchproof glass: Corning® Gorilla® glass (Generation 6) equipped with heat reflecting coating
- HRF = heat reflecting filter, effectively reduces the effect of heat radiation on the lens
- optional tube extension with Tube Module 6mm (11185372) or Tube Module (11185371), length 12 mm. Use of several Tube Modules possible.
- thread: M47
- length: 44 mm



Picture similar

Technical data

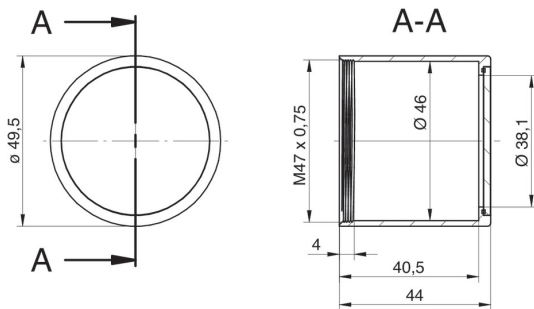
Mechanical data

Inner diameter	46 mm
External diameter	49.5 mm
Material of cover glass	Corning® Gorilla® glass
Weight	≤ 40 g

Mechanical data

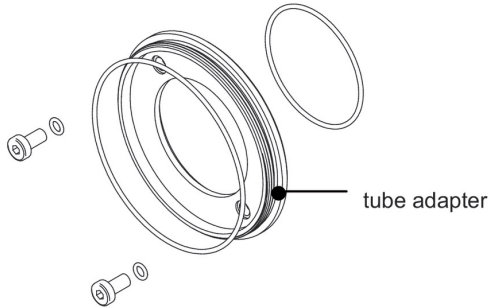
Thread	M47 × 0,75
Ø cover glass	38 mm
Length of tube	44 mm
Material	aluminum, hard-anodized
Sealing	Gomastit 400

Dimension drawing



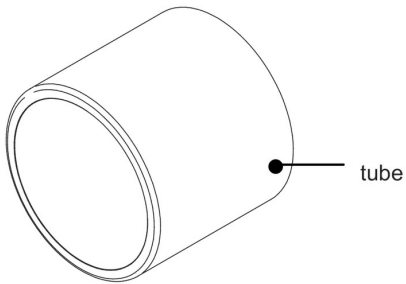
Principle

Optional accessories for protection class IP65/67:



tube adapter

- hard-anodized, incl. sealing and screws
 \varnothing 49,5 mm (VCXG.I 11185373)
 \varnothing 65 mm (VCXG.I 11185377)
 \varnothing 95 mm (VCXG.I 11704311)
 \varnothing 65 mm (VLXT 11193125)
 \varnothing 95 mm (VLXT.EF 11704315)



tube

- hard-anodized, cover glass PMMA
 \varnothing 49,5 mm, Length 44 mm (11185370)
 \varnothing 65 mm, Length 58 mm (11185374)
 \varnothing 95 mm, length 70 mm (11704312)
- hard-anodized, tempered laminated safety glass
 \varnothing 49,5 mm, Length 44 mm (11701124)
 \varnothing 65 mm, Length 58 mm (11701125)

Tube M47 hard anodized scratchproof HRF

Article number: 11727393

Diagrams

