

Overview

- Extended functional reserve capacities for maximum reliability
- Long-term stable detection of transparent objects thanks to compensation of environmental influences
- Parallel laser beam for uniform detection over the measuring range
- qTeach - tamper-proof, simple teach-in with ferromagnetic tool
- Quick mounting by means of M3 threaded bushes made of stainless steel



Picture similar

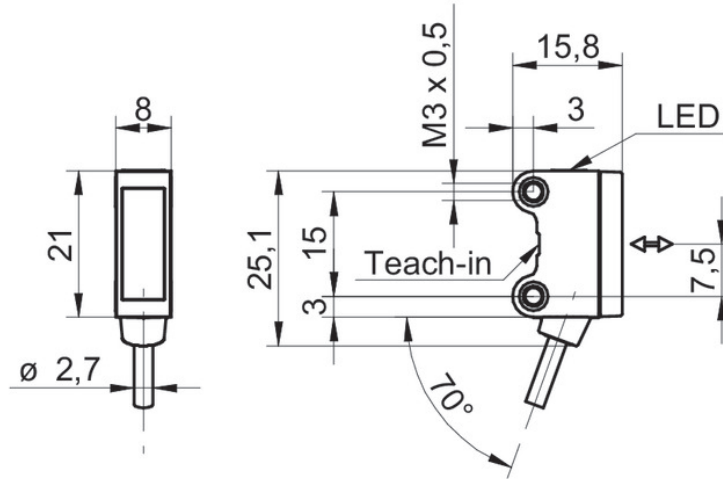


Technical data

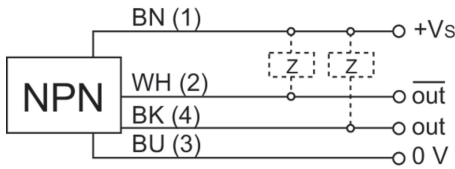
General data		Electrical data	
Type	Retro-reflective sensor	Current consumption max. (no load)	20 mA (@ 10 VDC)
Version	Transparency object detection	Current consumption typ.	10 mA (@ 24 VDC)
Light source	Pulsed red laser diode	Voltage drop Vd	<2 VDC
Actual range Sb	0.8 m	Output function	Light / dark operate
Nominal range Sn	1.2 m	Output circuit	NPN complementary
Polarization filter	Yes	Output current	50 mA
Minimal signal attenuation	10 %	Short circuit protection	Yes
Alignment / soiled lens indicator	Flashing output indicator	Reverse polarity protection	Yes
Output indicator	LED yellow	Mechanical data	
Power on indication	LED green	Width / diameter	8 mm
Sensitivity adjustment	qTeach	Height / length	25.1 mm
Laser class	1	Depth	15.8 mm
Distance to focus	Parallel beam	Design	Rectangular
Wave length	680 nm	Mechanical mounting	Threaded sleeves M3 (stainless steel)
Suppression of reciprocal influence	Yes	Housing material	Plastic (ASA, PMMA)
Alignment optical axis	< 1,5°	Front (optics)	PMMA
Electrical data		Connection types	Cable 4 pin, 2 m
Response time / release time	< 0.25 ms	Cable characteristics	PVC / PVC 4 x 0.08 mm ²
Jitter	< 0.06 ms	Ambient conditions	
Voltage supply range +Vs	10 ... 30 VDC	Operating temperature	-20 ... +50 °C
		Protection class	IP 67

2024-02-16 The product features and technical data specified do not express or imply any warranty. Technical modifications subject to change.

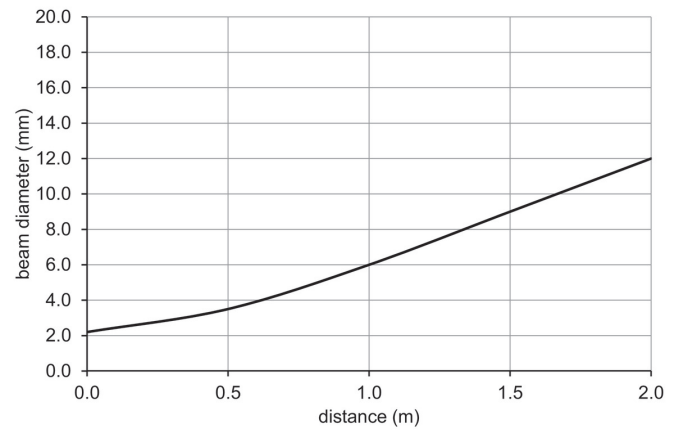
Technical drawings



Connection diagram



Beam characteristic (typically)



Laser warning

**CLASS 1 LASER
PRODUCT**

IEC 60825-1/2014
Complies with 21 CFR 1040.10 and
1040.11 except for conformance with
IEC 60825-1 Ed. 3., as described in
Laser Notice No. 56, dated May 8, 2019

Excess gain curve

