

Overview

- Extended functional reserve capacities for maximum reliability
- Baumer PinPoint LED: Small, homogeneous light spot with sharp edges
- Long-term stable detection of transparent objects thanks to compensation of environmental influences
- qTeach - tamper-proof, simple teach-in with ferromagnetic tool
- Quick mounting by means of M3 threaded bushes made of stainless steel



Picture similar



Technical data

General data

Type	Retro-reflective sensor
Version	Transparency object detection Single lens optics
Light source	Pulsed PinPoint LED
Actual range Sb	0.7 m
Nominal range Sn	1 m
Polarization filter	Yes
Minimal signal attenuation	10 %
Alignment / soiled lens indicator	Flashing output indicator
Output indicator	LED yellow
Power on indication	LED green
Sensitivity adjustment	qTeach
Wave length	644 nm
Suppression of reciprocal influence	Yes
Alignment optical axis	< 1,5°

Electrical data

Response time / release time	< 0.25 ms
Jitter	< 0.06 ms
Voltage supply range +Vs	10 ... 30 VDC

Electrical data

Current consumption max. (no load)	40 mA (@ 10 VDC)
Current consumption typ.	16 mA (@ 24 VDC)
Voltage drop Vd	<2 VDC
Output function	Light / dark operate
Output circuit	PNP complementary
Output current	50 mA
Short circuit protection	Yes
Reverse polarity protection	Yes

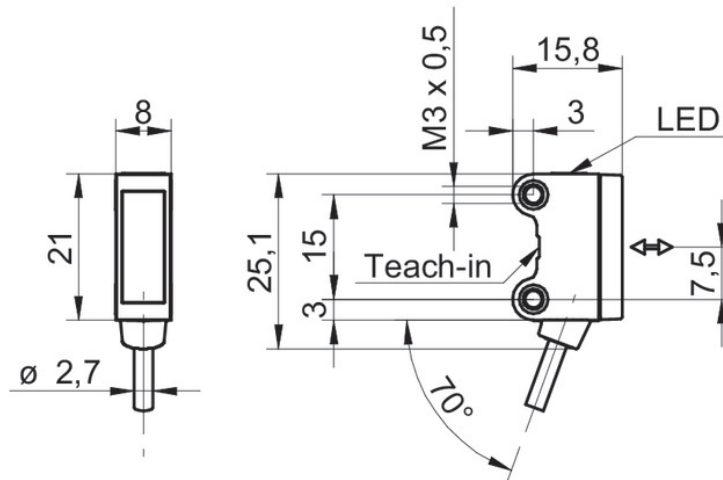
Mechanical data

Width / diameter	8 mm
Height / length	25.1 mm
Depth	15.8 mm
Design	Rectangular
Mechanical mounting	Threaded sleeves M3 (stainless steel)
Housing material	Plastic (ASA, PMMA)
Front (optics)	PMMA
Connection types	Cable 4 pin, 2 m
Cable characteristics	PVC / PVC 4 x 0.08 mm ²

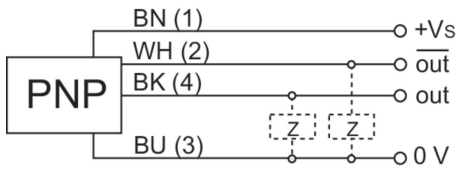
Ambient conditions

Operating temperature	-25 ... +50 °C
Protection class	IP 67

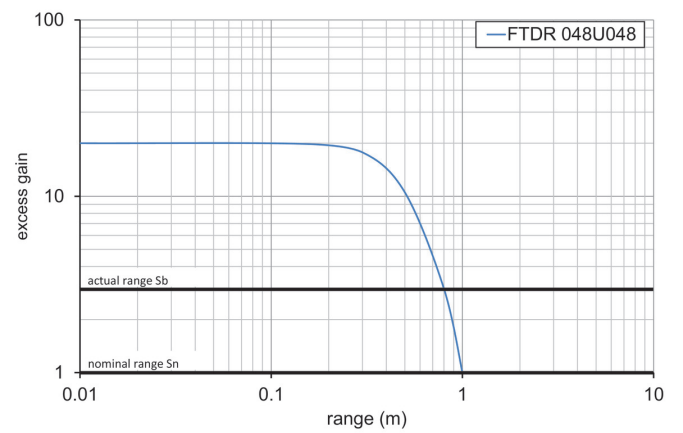
Technical drawings



Connection diagram



Excess gain curve



Beam characteristic (typically)

