

Overview

- Most secure object detection due to the barrier principle
- qTeach - tamper-proof, simple teach-in with ferromagnetic tool
- Quick mounting by means of M3 threaded bushes made of stainless steel



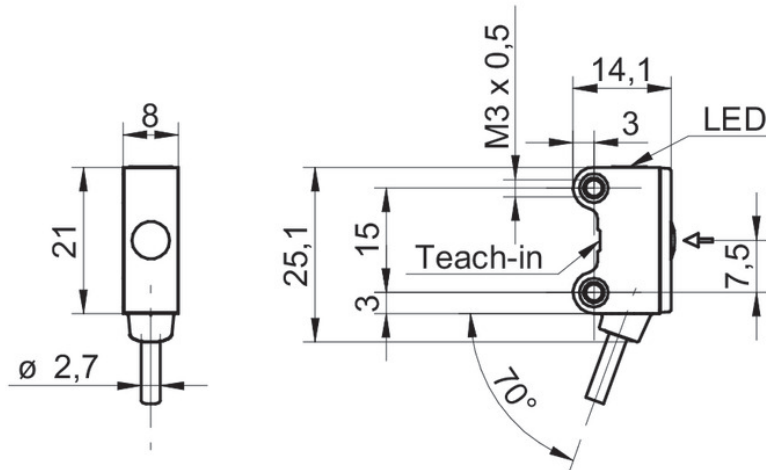
Picture similar



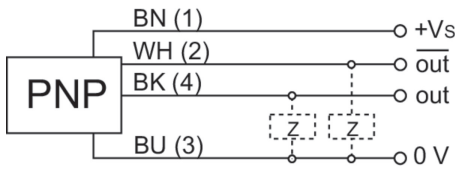
Technical data

General data		Electrical data	
Type	Through beam sensor	Current consumption typ.	10 mA (@ 24 VDC)
Emitter / receiver	Receiver	Voltage drop Vd	<2 VDC
Light source	Use with pulsed red laser diode	Output function	Light / dark operate
Actual range Sb	5 m	Output circuit	PNP complementary
Nominal range Sn	6 m	Output current	50 mA
Smallest object recognizable typ.	3 mm (0,5 mm with aperture)	Short circuit protection	Yes
Alignment / soiled lens indicator	Flashing output indicator	Reverse polarity protection	Yes
Output indicator	LED yellow	Mechanical data	
Power on indication	LED green	Width / diameter	8 mm
Sensitivity adjustment	qTeach	Height / length	25.1 mm
Suppression of reciprocal influence	Yes	Depth	14.1 mm
Electrical data		Design	Rectangular
Response time / release time	< 0.1 ms < 0.12 ms	Mechanical mounting	Threaded sleeves M3 (stainless steel)
Jitter	< 0.03 ms < 0.05 ms	Housing material	Plastic (ASA, PMMA)
Voltage supply range +Vs	10 ... 30 VDC	Front (optics)	PMMA
Current consumption max. (no load)	20 mA (@ 10 VDC)	Connection types	Cable 4 pin, 2 m
		Cable characteristics	PVC / PVC 4 x 0.08 mm ²
		Ambient conditions	
		Operating temperature	-25 ... +50 °C
		Protection class	IP 67

Technical drawings



Connection diagram



Excess gain curve

