

Overview

- Extended functional reserve capacities for maximum reliability
- Baumer PinPoint LED: Small, homogeneous light spot with sharp edges
- Manipulation-proof, simple teach-in via qTeach or line teach
- IO-Link for extended parameterization options and additional diagnostic data
- Quick mounting by means of M3 threaded bushes made of stainless steel



Picture similar



Technical data

General data

Type	Retro-reflective sensor
Light source	Pulsed PinPoint LED
Actual range Sb	3 m
Nominal range Sn	4 m
Smallest object recognizable typ.	4 mm (FTAR 013A000)
Polarization filter	Yes
Alignment / soiled lens indicator	Flashing output indicator
Output indicator	LED yellow
Power on indication	LED green
Sensitivity adjustment	Teach-in and IO-Link
Wave length	644 nm
Suppression of reciprocal influence	Yes
Alignment optical axis	< 1,5°

Electrical data

Response time / release time	< 0.25 ms
Voltage supply range +Vs	10 ... 30 VDC
Current consumption max. (no load)	40 mA (@ 10 VDC)
Current consumption typ.	16 mA (@ 24 VDC)
Voltage drop Vd	<2 VDC
Output function	Light / dark operate
Output circuit	Push-pull
Output current	50 mA
Short circuit protection	Yes
Reverse polarity protection	Yes

Communication interface

Baud rate	230,4 kBaud (COM 3)
Adjustable parameters	Switching point Time filters LED status indicators Output logic Counter Deactivate the sensor element Find Me function Teach-in mode
IO-Link port type	Class A
Process data length	32 Bit
Process data structure	Bit 0 = SSC1 (presence) Bit 2 = quality Bit 3 = alarm Bit 5 = SSC4 (counter) Bit 16-31 = 16 Bit measurement
Interface	IO-Link V1.1
Additional data	Signal strength Excess gain Operating cycles Device temperature
Cycle time	≥ 0.6 ms

Mechanical data

Width / diameter	8 mm
Height / length	25.1 mm
Depth	15.8 mm
Design	Rectangular
Mechanical mounting	Threaded sleeves M3 (stainless steel)
Housing material	Plastic (ASA, PMMA)
Front (optics)	PMMA
Connection types	Cable 4 pin, 2 m
Cable characteristics	PVC / PVC 4 x 0.08 mm ²

O200.RP-GW1J.72CV/H006

Retro-reflective sensors - miniature

Article number: 11208515

Technical data

Ambient conditions

Operating temperature -25 ... +50 °C

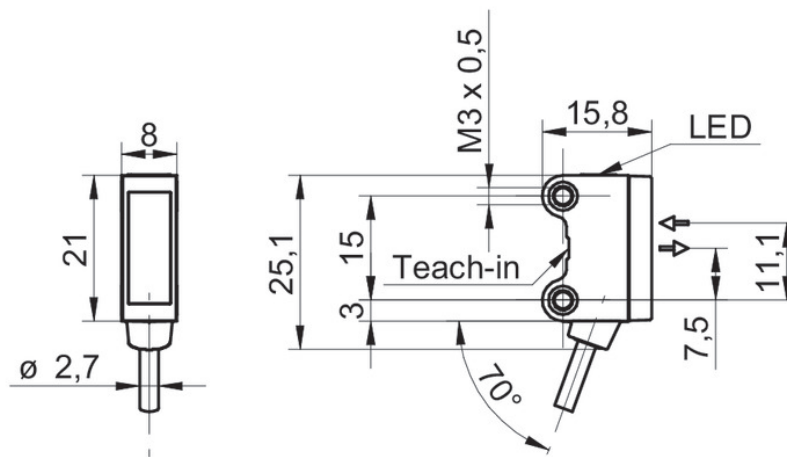
Ambient conditions

Protection class IP 67

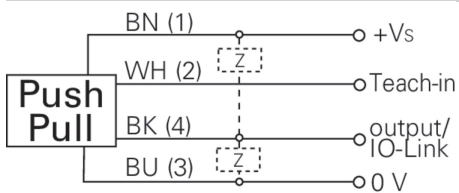
Remarks

- qTeach

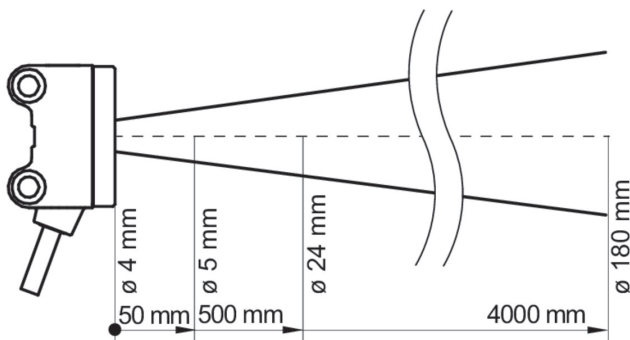
Technical drawings



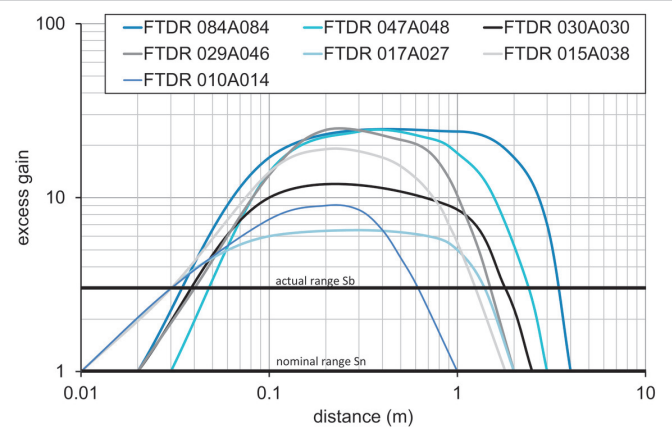
Connection diagram



Beam characteristic (typically)



Excess gain curve

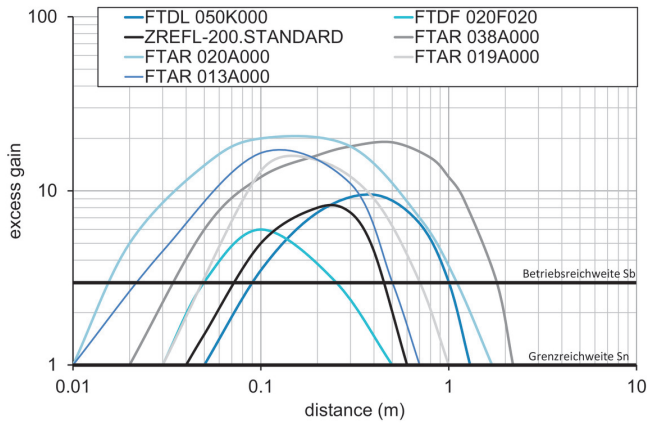


O200.RP-GW1J.72CV/H006

Retro-reflective sensors - miniature

Article number: 11208515

Excess gain curve



Lateral operating range

