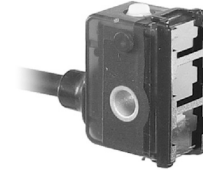


**Overview**

- retro-reflective sensor
- 0,6 m
- pulsed red LED
- PNP
- Teach-in
- flylead connector M8 4 pin, L=200 mm
- -20 ... 50 °C
- IP 65



Picture similar



**Technical data**

**General data**

Type	Retro-reflective sensor
Light source	Pulsed red LED
Actual range Sb	0.6 m
Nominal range Sn	0.8 m
Polarization filter	Yes
Alignment / soiled lens indicator	Flashing light indicator
Light indicator	LED green
Output indicator	LED yellow
Sensitivity adjustment	Teach-in
Wave length	660 nm
Suppression of reciprocal influence	Yes

**Electrical data**

Response time / release time	< 0.5 ms
Voltage supply range +Vs	11 ... 30 VDC
Current consumption max. (no load)	25 mA

**Electrical data**

Current consumption typ.	20 mA
Voltage drop Vd	<1.8 VDC
Output function	Light / dark operate
Output circuit	PNP
Output current	100 mA
Short circuit protection	Yes
Reverse polarity protection	Yes

**Mechanical data**

Width / diameter	8 mm
Height / length	17.8 mm
Depth	12.6 mm
Design	Rectangular
Housing material	Plastic (PMMA, MABS, PA)
Front (optics)	PMMA
Connection types	Flylead connector M8 4 pin, L=200 mm

**Ambient conditions**

Operating temperature	-20 ... +50 °C
Protection class	IP 65

**Remarks**

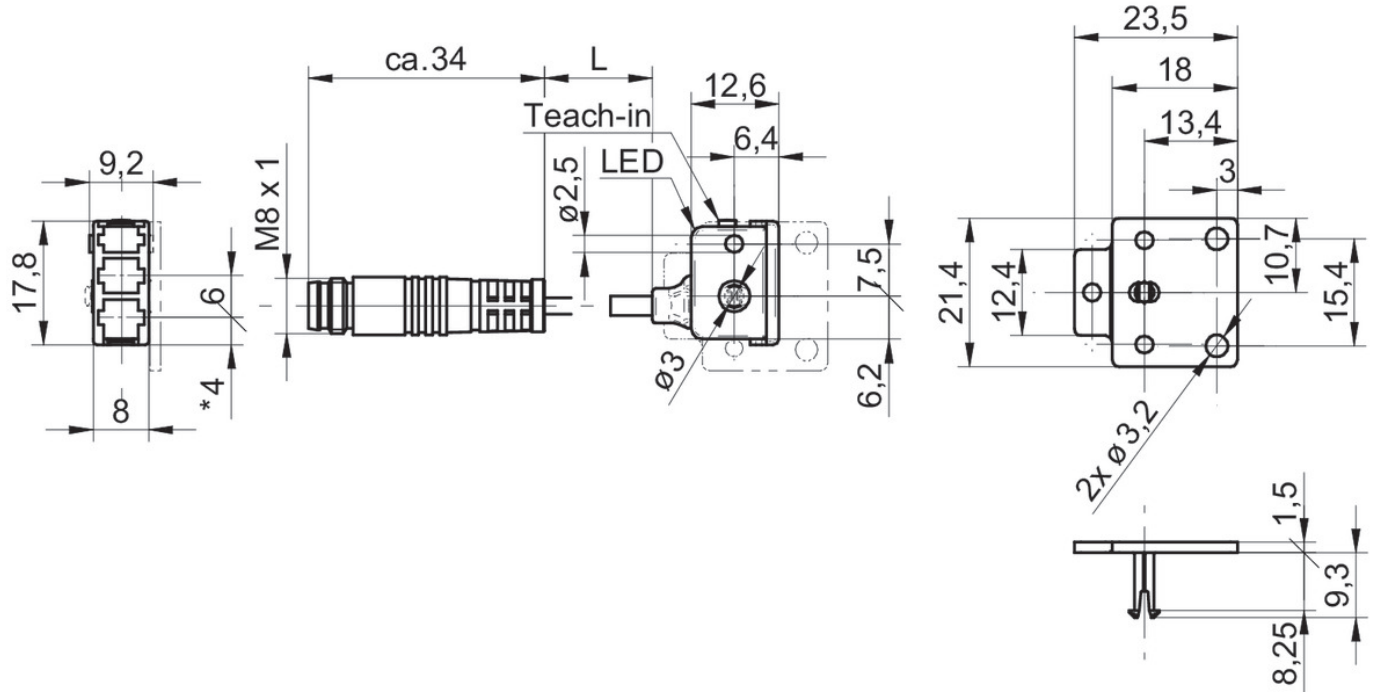
- Sensitivity adjustable: via Teach-in button or Teach-in wire input

## FPCK 07P6901/KS35A

Retro-reflective sensors - subminiature

Article number: 10151062

### Technical drawings



### Connection diagram

