

Overview

- Gigabit Ethernet interface cable
- CAT6A
- M12/8-pin connector, X-coded (screw lock), 90° angled to RJ45
- cable carrier compatible
- suitable for robotic applications (+/- 180°/ 0.5 m, min. 1.000.000 torsion cycles)
- length 20,0 m



Picture similar

Technical data

Electrical data

| | |
|-----------------|--|
| Number of poles | 8 |
| Connectors | M12/x-kodiert, gewinkelt, verschraubbar RJ45 |

Mechanical data

| | |
|--------------------------------|---------------------|
| Smallest bending radius static | 70 mm |
| Bending cycles | 1000000 |
| Use in cable carriers | yes, flexible cable |
| Cable length [m] | 20 m |

Mechanical data

| | |
|----------|-------------------|
| Weight | ≤ 1400 g |
| Material | TPU, halogen-free |

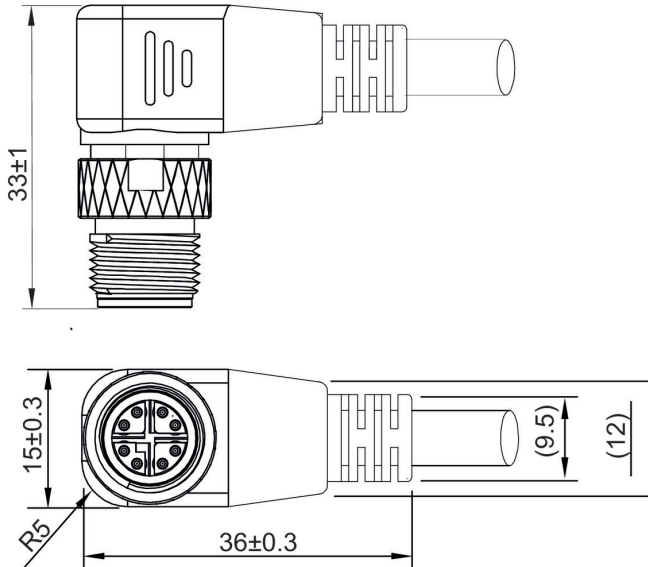
Interface

| | |
|----------------|-----------------|
| Data interface | 10 GigE GigE |
|----------------|-----------------|

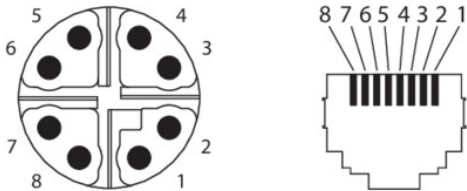
Environmental conditions

| | |
|------------------|------------|
| Conformity | RoHS CE |
| Protection class | IP 40 |

Dimension drawing



Pin assignment



| M12 | RJ45 | M12 | RJ45 |
|-----|------|-----|------|
| 1: | 1 | 7: | 5 |
| 2: | 2 | 8: | 4 |
| 3: | 3 | 5: | 7 |
| 4: | 6 | 6: | 8 |