

Overview

- Distance measuring
- 0 ... 3 mm
- PNP / push-pull
- IO-Link
- flylead connector M8
- -20 ... 70 °C
- IP 67



Picture similar



Technical data

General data		Electrical data	
Mounting type	Quasi-flush	Reverse polarity protection	Yes
Special type	Linearized	Mechanical data	
Type	Distance measuring	Design	Rectangular
Measuring distance Sd	0 ... 3 mm	Material (sensing face)	PBT
Resolution	< 0.005 mm (High Accuracy Mode)	Housing material	Stainless steel
Repeat accuracy	0.01 mm	Dimension	8 mm
Adjustment	IO-Link	Housing length	24.6 mm
Teach	Single point, Two point, Window	Connection types	Flylead connector PUR M8, L=200 mm
Linearity error	± 10 µm (S = 0 ... 2 mm) ± 90 µm (S = 0 ... 3 mm)	Tightening torque max.	0.8 Nm
Temperature drift	± 2 % (Full Scale: S = 0 ... 2 mm) ± 6 % (Full Scale: S = 0 ... 3 mm)	Ambient conditions	
Hysteresis	< 99 % (adjustable)	Operating temperature	-20 ... +70 °C
Electrical data		Protection class	IP 67
Response time (factory characteristic)	< 1 ms	Communication interface	
Switching frequency	1.25 kHz	Interface	IO-Link V1.1
Voltage supply range +Vs	8 ... 30 VDC	Baud rate	230,4 kBaud (COM 3)
Current consumption max. (no load)	15 mA	Cycle time	≥ 0.6 ms
Output circuit	PNP Push-pull IO-Link	Process data length	32 Bit
Output current	50 mA	Process data structure	Bit 0 = SSC1 (distance) Bit 1 = SSC2 (distance) Bit 3 = alarm Bit 4 = SSC3 (frequency) Bit 5 = SSC4 (counter) Bit 16-31 = 16 Bit measurement
Short circuit protection	Yes	IO-Link port type	Class A

2023-08-30 The product features and technical data specified do not express or imply any warranty. Technical modifications subject to change.

Technical data

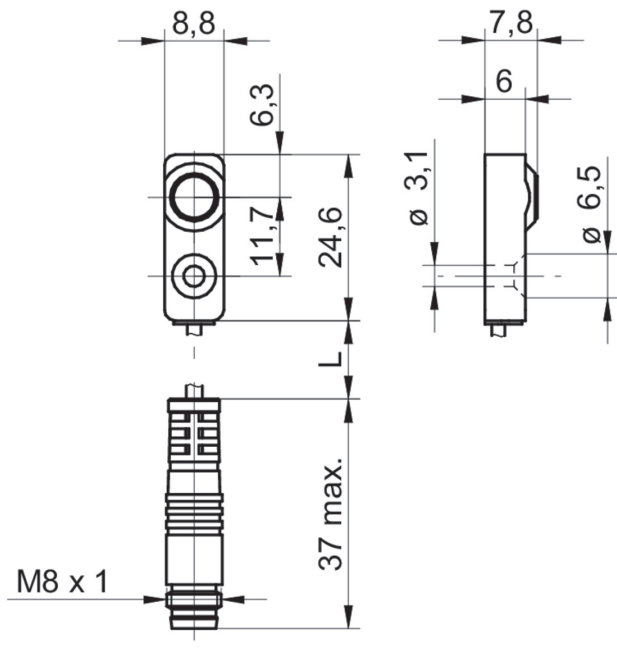
Communication interface

Adjustable parameters	Measuring range
	Switching point
	Switching hysteresis
	Measured value filtering
	Time filters
	Output logic
	Output circuit
	Counter
	Deactivate the sensor element

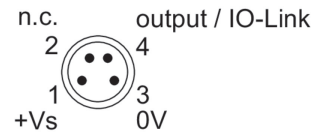
Communication interface

Additional data	Distance
	Frequency
	Operating cycles
	Operating hours
	Boot cycles
	Operating voltage
	Device temperature
	Histograms

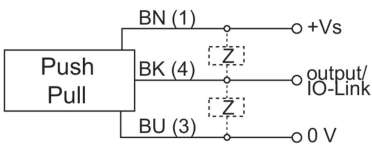
Dimension drawing



Pin assignment



Connection diagram



Resolution

