

**Overview**

- Large measuring range from 0... 10 mm
- Analog output and additional switching output
- Easy commissioning due to linearized output signal
- Application specific adjustment by qTeach
- Robust plastic housing usable up to +75°C



Picture similar



**Technical data**

**General data**

Mounting type	Non-flush
Special type	Linearized
Type	Distance measuring
Measuring distance Sd	0 ... 10 mm
Resolution	< 0.02 mm (stat.)
Repeat accuracy	0.02 mm
Adjustment	qTeach
Teach	Single point, Window
Linearity error	± 50 µm
Temperature drift	± 2 % (Full Scale)
Power on indication	LED green
Output indicator	LED yellow

**Electrical data**

Response time (factory characteristic)	< 2.3 ms
Switching frequency	150 Hz
Voltage supply range +Vs	12 ... 30 VDC
Current consumption max. (no load)	25 mA

**Electrical data**

Output circuit	PNP Analog 0 ... 10 VDC
Load resistance	> 10 kOhm
Output current	100 mA
Voltage drop Vd	<2.5 VDC
Short circuit protection	Yes
Reverse polarity protection	Yes

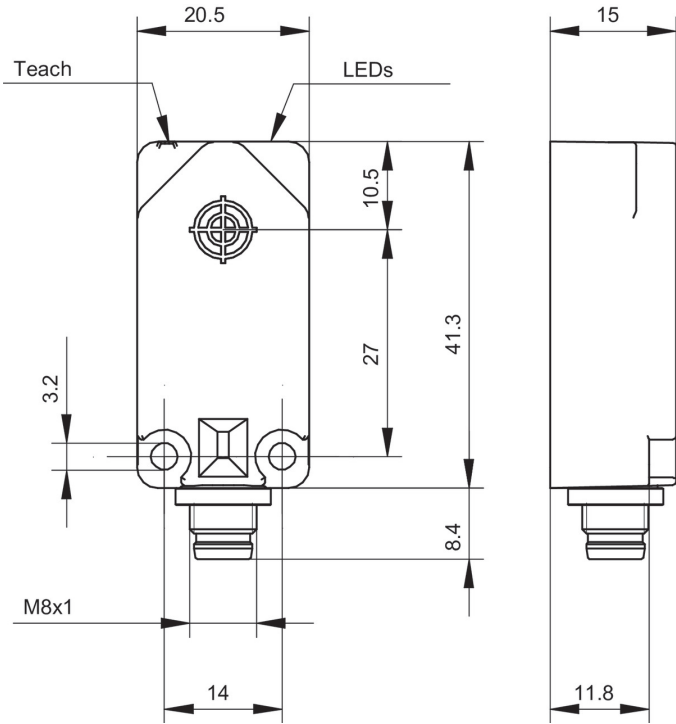
**Mechanical data**

Design	Rectangular
Material (sensing face)	SAN
Housing material	SAN
Dimension	20 mm
Housing length	41 mm
Connection types	Connector M8

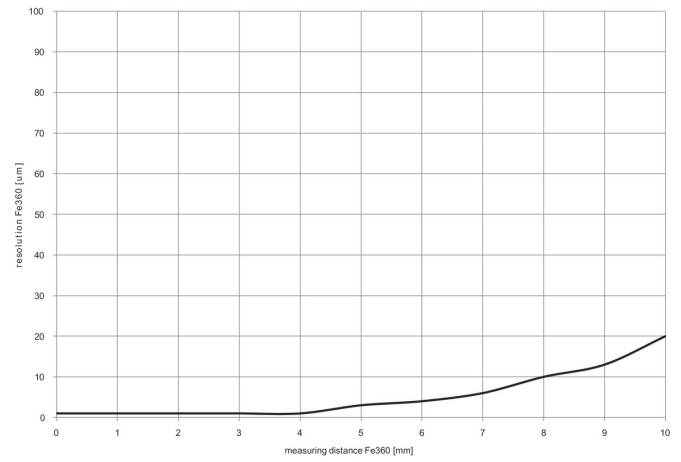
**Ambient conditions**

Operating temperature	-25 ... +75 °C
Protection class	IP 67

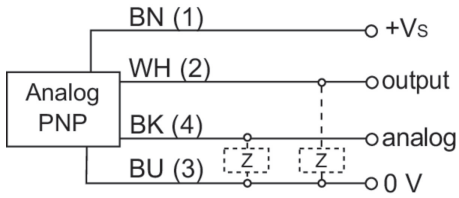
**Dimension drawing**



**Resolution**



**Connection diagram**



**Pin assignment**

