

IFRM 08P17T4

Inductive sensors special versions - high temperature

Article number: 10159049

Overview

- 2 mm
- PNP make function (NO)
- cable FEP, 1 m
- -25 ... 100 °C
- IP 67



Picture similar



Technical data

General data

Mounting type	Flush
Special type	High temperature
Nominal sensing distance S _n	2 mm
Temperature drift	± 10 % (-25 ... +75 °C) - 10 % / + 15 % (-25 ... +100 °C)
Hysteresis	3 ... 20 % of S _r

Electrical data

Switching frequency	5 kHz
Voltage supply range +V _s	6 ... 30 VDC
Current consumption max. (no load)	12 mA
Output circuit	PNP make function (NO)
Voltage drop V _d	<3 VDC

Electrical data

Output current	100 mA
Short circuit protection	Yes
Reverse polarity protection	Yes

Mechanical data

Design	Cylindrical threaded
Material (sensing face)	PBT
Housing material	Stainless steel
Dimension	8 mm
Housing length	50 mm
Connection types	Cable FEP, 1 m

Ambient conditions

Operating temperature	-25 ... +100 °C
Protection class	IP 67

Remarks

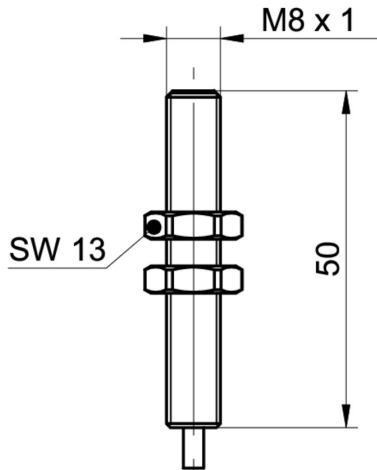
- With integral electronics of up to +100 °C

IFRM 08P17T4

Inductive sensors special versions - high temperature

Article number: 10159049

Dimension drawing



Connection diagram

