

POG 10 G

Twin encoder with two electrically separated systems

Solid shaft with EURO flange B10 300...5000 pulses per revolution

Overview

- Twin encoder featuring two separate systems
- TTL output driver for cable length up to 550 m
- High resistance to shock and vibrations
- EURO flange B10 / solid shaft $\varnothing 11$ mm
- Large terminal boxes, turn by 180°



Technical data

Technical data - electrical ratings

Voltage supply	9...30 VDC 5 VDC ± 5 %
Consumption w/o load	≤ 100 mA
Pulses per revolution	300 ... 5000
Phase shift	$90^\circ \pm 20^\circ$
Duty cycle	40...60 %
Reference signal	Zero pulse, width 90°
Output frequency	≤ 120 kHz ≤ 300 kHz (on request)
Output signals	K1, K2, K0 + inverted Error output (option EMS)
Output stages	HTL-P (power linedriver) TTL/RS422
Sensing method	Optical
Interference immunity	EN 61000-6-2
Emitted interference	EN 61000-6-3
Approval	CE UL approval / E217823

Technical data - mechanical design

Size (flange)	$\varnothing 115$ mm
Shaft type	$\varnothing 11$ mm solid shaft
Admitted shaft load	≤ 300 N axial ≤ 450 N radial

Technical data - mechanical design

Flange	EURO flange B10
Protection EN 60529	IP 66
Operating speed	≤ 12000 rpm (mechanical)
Operating torque typ.	2 Ncm
Rotor moment of inertia	212 gcm ²
Material	Housing: aluminium die-cast Shaft: stainless steel
Operating temperature	-40...+100 °C -25...+100 °C (>3072 pulses)
Resistance	IEC 60068-2-6 Vibration 20 g, 10-2000 Hz IEC 60068-2-27 Shock 200 g, 6 ms
Corrosion protection	IEC 60068-2-52 Salt mist for ambient conditions C4 according to ISO 12944-2
Explosion protection	II 3 G Ex ec IIC T4 Gc (gas) II 3 D Ex tc IIIC T135°C Dc (dust) (only with option ATEX)
Connection	2x terminal box 3x terminal box (with option M)
Weight approx.	2.5 kg 2.7 kg (with option M)

Optional

- Function control with EMS (Enhanced Monitoring System)
- Redundant sensing with two terminal boxes
- Housing foot (B3)

POG 10 G

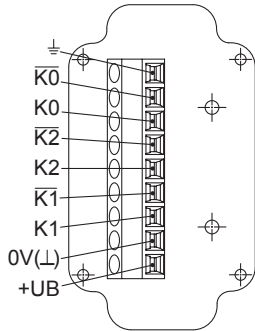
Twin encoder with two electrically separated systems

Solid shaft with EURO flange B10 300...5000 pulses per revolution

Terminal assignment

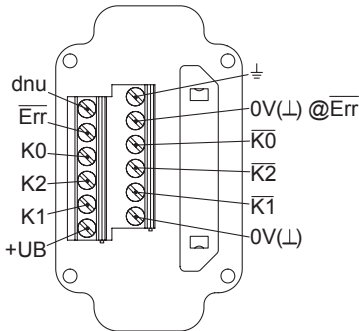
View A (see dimension)

Connecting terminal terminal box, radial



Option EMS: View A (see dimension)

Connecting terminal terminal box, radial



Terminal significance

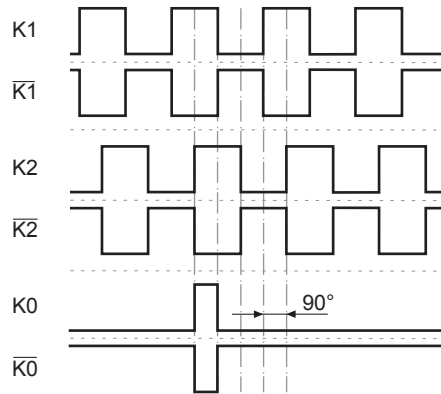
Encoder incremental

+UB	Voltage supply
0V (⊥)	Ground
⊥	Earth ground (housing)
K1	Output signal channel 1
$\bar{K}1$	Output signal channel 1 inverted
K2	Output signal channel 2 (offset by 90° to channel 1)
$\bar{K}2$	Output signal channel 2 inverted
K0	Zero pulse (reference signal)
$\bar{K}0$	Zero pulse inverted
\bar{Err}	Error output (option EMS)
dnu	Do not use

Output signals

HTL/TTL

At positive rotating direction (see dimension)



Option EMS: Status LED / error output

Flash light red*	Error of signal sequence, zero pulse or pulses (Error output = HIGH-LOW alternation)
Red	Overload output transistors (Error output = LOW)
Flash light green	Device o.k., rotating (Error output = HIGH)
Green	Device o.k., stopped (Error output = HIGH)
No light	No voltage supply connection or wrong connection (Error output = LOW)

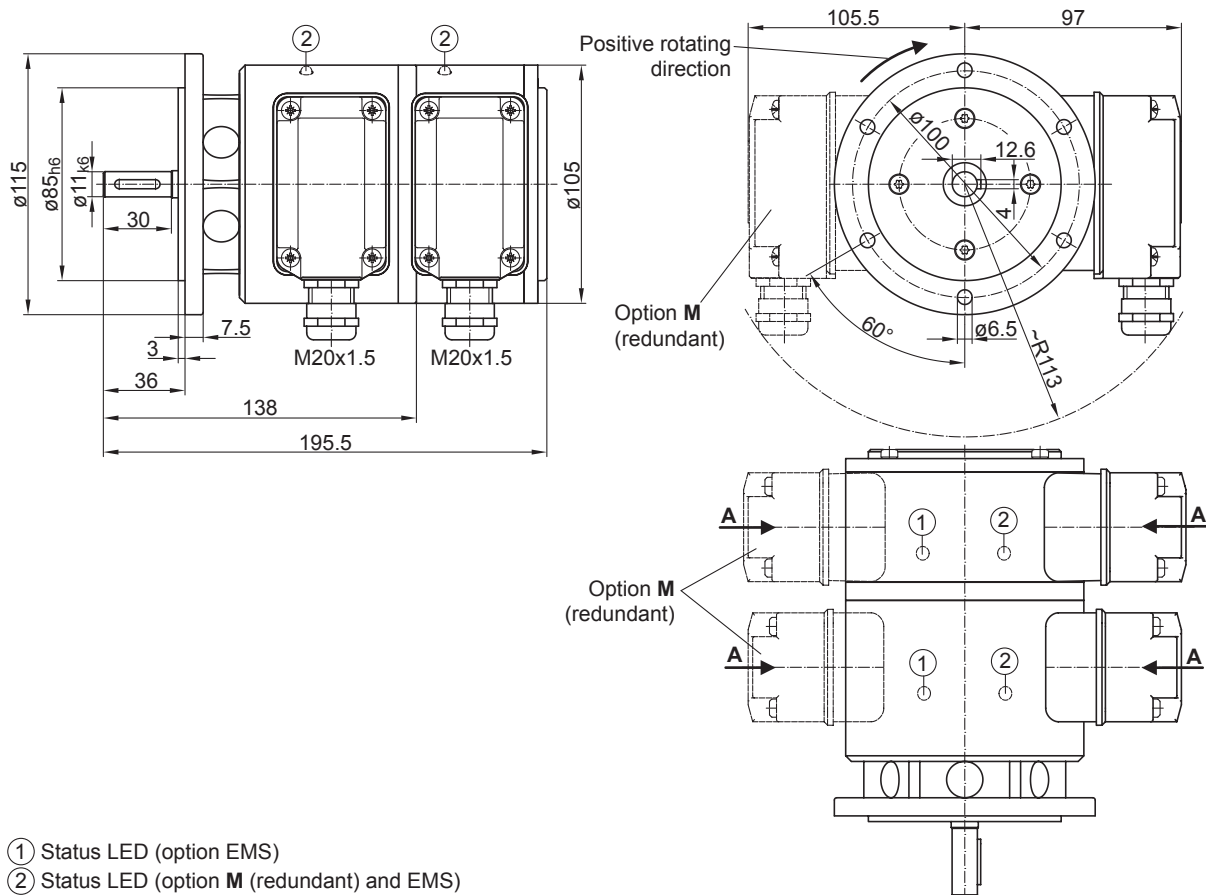
* Only at rotating device

POG 10 G

Twin encoder with two electrically separated systems

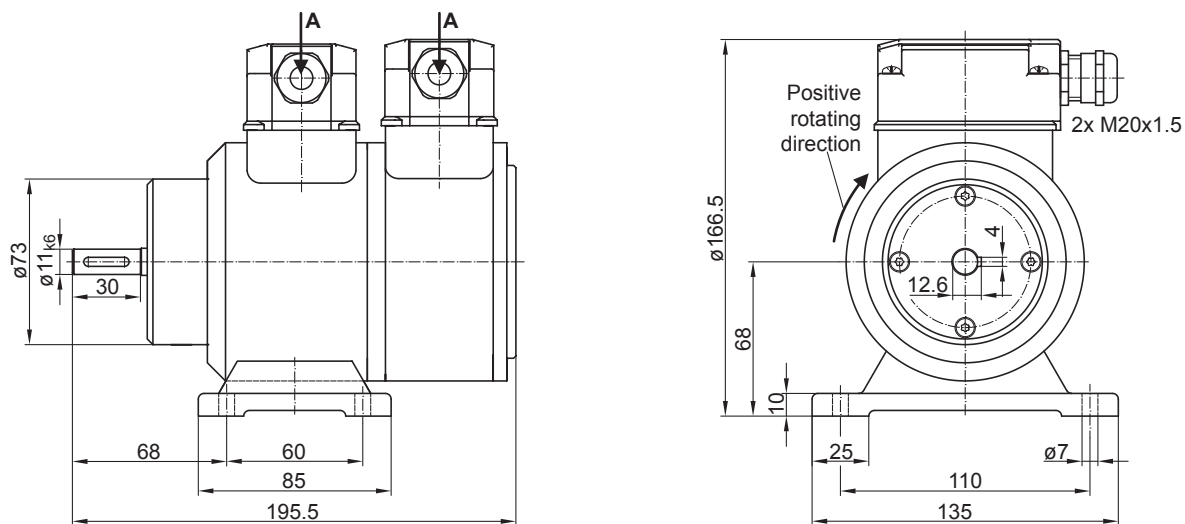
Solid shaft with EURO flange B10 300...5000 pulses per revolution

Dimensions



- ① Status LED (option EMS)
- ② Status LED (option M (redundant) and EMS)

EURO flange B10



Housing foot B3

POG 10 G

Twin encoder with two electrically separated systems

Solid shaft with EURO flange B10 300...5000 pulses per revolution

Ordering reference

	POG10	##	G	#	DN	####	###	/	DN	####	###	#####
Product												
Twin encoder	POG10											
EMS - Enhanced Monitoring System												
Without EMS												
With EMS		.2										
Redundant encoder												
With redundant encoder			G									
Redundant sensing												
Without redundant sensing												
With redundant sensing				M								
Output signals												
K1, K2, K0					DN							
Pulse number⁽¹⁾												
300						300						
500						500						
512						512						
1000						1000						
1024						1024						
1200						1200						
2048						2048						
2500						2500						
3072						3072						
4096						4096						
5000						5000						
Voltage supply / output stage												
9...30 VDC / output stage HTL with inverted signals							I					
5 VDC / output stage TTL with inverted signals							TTL					
9...30 VDC / output stage TTL with inverted signals							R					
Output signals (G)												
K1, K2, K0									DN			
Pulse number (G)⁽¹⁾												
300										300		
500										500		
512										512		
1000										1000		
1024										1024		
1200										1200		
2048										2048		
2500										2500		
3072										3072		
4096										4096		
5000										5000		
Voltage supply / output stage (G)												
9...30 VDC / output stage HTL with inverted signals											I	
5 VDC / output stage TTL with inverted signals											TTL	
9...30 VDC / output stage TTL with inverted signals											R	
Mounting type												
EURO flange B10												
Housing foot B3												B3

(1) Other pulse numbers on request.

POG 10 G

Twin encoder with two electrically separated systems

Solid shaft with EURO flange B10 300...5000 pulses per revolution

Accessories

Mounting accessories

Spring disk coupling K 35 (shaft \varnothing 6...12 mm)

Spring disk coupling K 50 (shaft \varnothing 11...16 mm)

Spring disk coupling K 60 (shaft \varnothing 11...22 mm)