

## HOG 75

Through hollow shaft  $\varnothing 12 \dots 26$  mm  
250...2500 pulses per revolution

### Overview

- Through hollow shaft  $\varnothing 12 \dots 26$  mm
- Optical sensing method
- Compact, robust aluminium housing
- Inside connecting terminals
- Output stage HTL or TTL
- Output stage TTL with regulator UB 9...26 VDC
- Especially high resistance to vibrations
- Hybrid bearing for extended service life (HOG 75 C)



**HUBNER**  
**BERLIN**  
A Baumer Brand

### Technical data

#### Technical data - electrical ratings

Voltage supply	9...26 VDC 5 VDC $\pm 5$ %
Consumption w/o load	$\leq 100$ mA
Pulses per revolution	250 ... 2500
Phase shift	$90^\circ \pm 20^\circ$
Duty cycle	40...60 %
Reference signal	Zero pulse, width $90^\circ$
Sensing method	Optical
Output frequency	$\leq 120$ kHz
Output signals	K1, K2, K0 + inverted
Output stages	HTL TTL/RS422
Interference immunity	EN 61000-6-2
Emitted interference	EN 61000-6-3
Approval	CE UL approval / E217823

#### Technical data - mechanical design

Size (flange)	$\varnothing 75$ mm
---------------	---------------------

#### Technical data - mechanical design

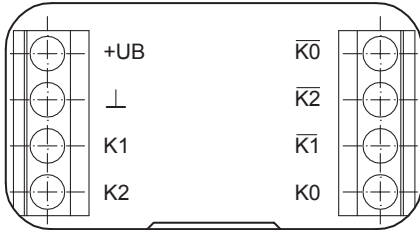
Shaft type	$\varnothing 12 \dots 26$ mm (through hollow shaft)
Admitted shaft load	$\leq 80$ N axial $\leq 150$ N radial
Protection EN 60529	IP 56
Operating speed	$\leq 10000$ rpm (mechanical)
Starting torque	$\leq 4$ Ncm
Rotor moment of inertia	$180$ gcm <sup>2</sup>
Material	Housing: aluminium Shaft: stainless steel
Operating temperature	$-30 \dots +85^\circ$ C
Resistance	IEC 60068-2-6 Vibration 48 g, 10-2000 Hz IEC 60068-2-27 Shock 200 g, 6 ms
Explosion protection	II 3 G Ex ec IIC T4 Gc (gas) II 3 D Ex tc IIIC T135°C Dc (dust) (only with option ATEX)
Connection	Connecting terminal
Weight approx.	580 g

# HOG 75

Through hollow shaft  $\varnothing 12...26$  mm  
250...2500 pulses per revolution

## Terminal assignment

**View A** (see dimension)  
Connecting terminal



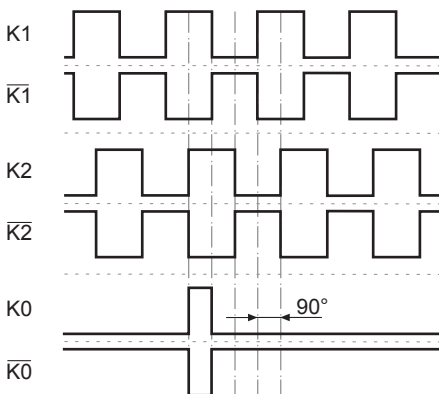
## Terminal significance

+UB	Voltage supply
0V ( $\perp$ )	Ground
K1	Output signal channel 1
$\overline{K1}$	Output signal channel 1 inverted
K2	Output signal channel 2 (offset by 90° to channel 1)
$\overline{K2}$	Output signal channel 2 inverted
K0	Zero pulse (reference signal)
$\overline{K0}$	Zero pulse inverted

## Output signals

### HTL/TTL

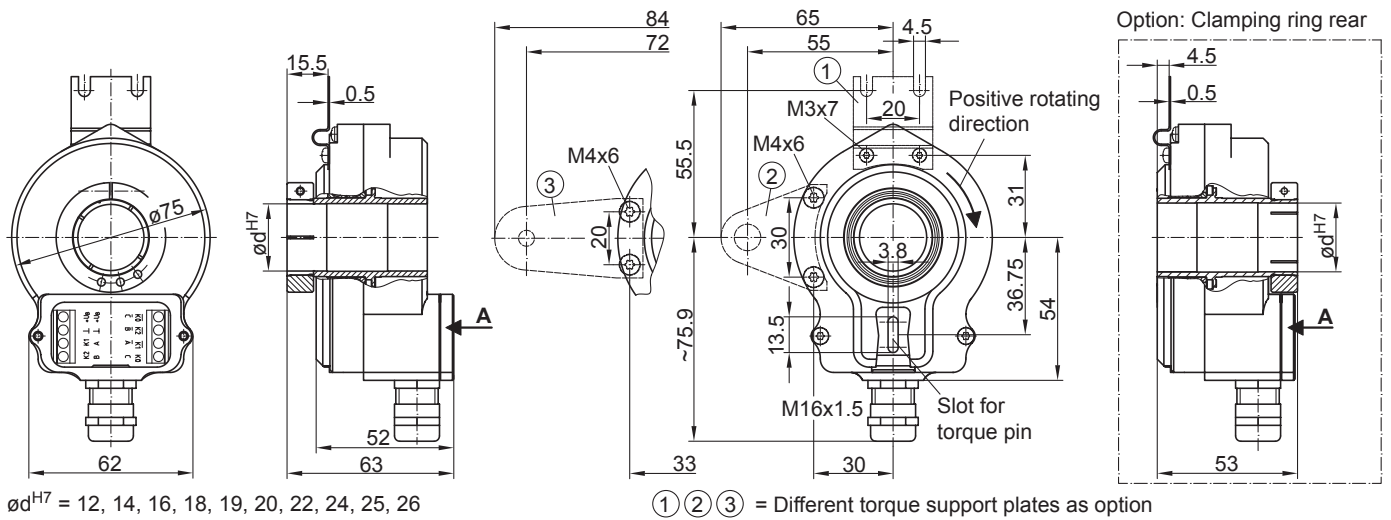
At positive rotating direction (see dimension)



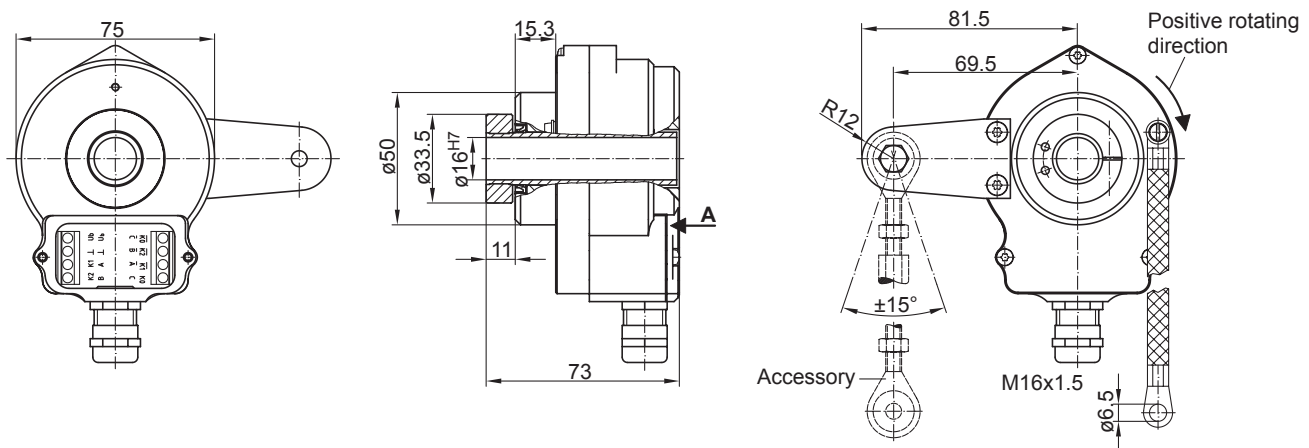
# HOG 75

Through hollow shaft  $\varnothing 12 \dots 26$  mm  
250...2500 pulses per revolution

## Dimensions



HOGS 75 - With through hollow shaft without hybrid bearings



HOGS 75 C - With through hollow shaft and hybrid bearings

# HOG 75

 Through hollow shaft  $\varnothing 12 \dots 26$  mm  
 250...2500 pulses per revolution

## Ordering reference

	HOG75	#	DN	####	###	#####	#####
<b>Product</b>	Incremental encoder	HOG75					
<b>Shaft type</b>	Standard ball bearings						
	With hybrid bearings		C				
<b>Output signals</b>	K1, K2, K0		DN				
<b>Pulse number<sup>(1)</sup></b>	250			250			
	256			256			
	500			500			
	512			512			
	720			720			
	1024			1024			
	1200			1200			
	1250			1250			
	2048			2048			
	2500			2500			
<b>Voltage supply / output stage</b>	9...26 VDC / output stage HTL (C) with inverted signals					CI	
	5 VDC / output stage TTL with inverted signals					TTL	
	9...26 VDC / output stage TTL with inverted signals					R	
<b>Shaft diameter</b>	Through hollow shaft $\varnothing 12$ mm						12H7
	Through hollow shaft $\varnothing 14$ mm						14H7
	Through hollow shaft $\varnothing 16$ mm						16H7
	Through hollow shaft $\varnothing 18$ mm						18H7
	Through hollow shaft $\varnothing 19$ mm						19H7
	Through hollow shaft $\varnothing 20$ mm						20H7
	Through hollow shaft $\varnothing 22$ mm						22H7
	Through hollow shaft $\varnothing 24$ mm						24H7
	Through hollow shaft $\varnothing 25$ mm						25H7
	Through hollow shaft $\varnothing 26$ mm						26H7
<b>Mounting type</b>	Clamping ring in front (drive side)						KLR A
	Clamping ring rear						KLR B

(1) Other pulse numbers on request.

## Accessories

### Mounting accessories

11043628	Torque arm M6, length 67...70 mm
11004078	Torque arm M6, length 120...130 mm ( $\geq 71$ mm)
11002915	Torque arm M6, length 425...460 mm ( $\geq 131$ mm)
11054917	Torque arm M6 insulated, length 67...70 mm
11072795	Torque arm M6 insulated, length 120...130 mm ( $\geq 71$ mm)
11082677	Torque arm M6 insulated, length 425...460 mm ( $\geq 131$ mm)