

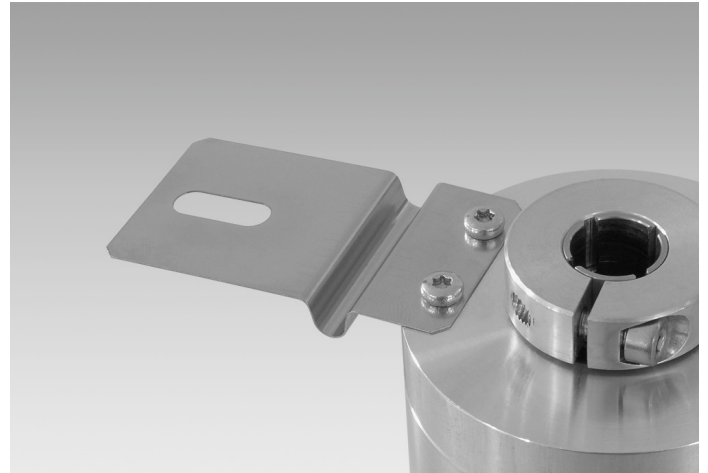
Torque arm, 1-arm (mounting kit 092)

Bolt circle $\varnothing 110 \dots 130$ mm, mounting M5

Article number: 11069239

Overview

- For low-dynamic applications and constant movements



Technical data

Technical data - mechanical design

Weight approx. 10 g

Description

Torque support onto encoder by help of the attached screws. Push encoder onto the drive shaft and mount torque support onto the client side. Fastening clamping ring with clamping ring screw.

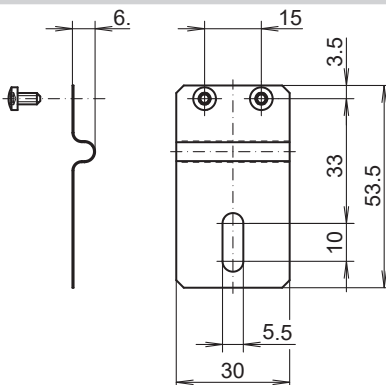
Scope of delivery

Torque support, two screws M3 x 6 (DIN 7985 - TX10)

Suitable for

ATD2AH00, ITD21H00, ITD21H00 HT, ITD22H00

Dimensions



Assembly drawing

