

**Overview**

- 0,1 mm
- PNP break function (NC)
- no
- flylead connector M8, L=200 mm
- 50 °C
- IP 67



Picture similar



**Technical data**

**General data**

Special type	Liquid level sensor for wastewater
Nominal sensing distance S <sub>n</sub>	0.1 mm
Mounting type	Non-flush
GND electrode	No
Temperature drift	± 20 %
Sensitivity adjustment	No
Output indicator	LED yellow
Measurement type	Contact with medium

**Field of application**

Detection of non-conductive media	No
Fill level detection through container	No
Liquids in direct contact	Yes
Object detection / bulk goods	No

**Electrical data**

Voltage supply range +Vs	10 ... 30 VDC
--------------------------	---------------

**Electrical data**

Current consumption max. (no load)	12 mA
Output circuit	PNP break function (NC)
Output current	< 200 mA
Voltage drop V <sub>d</sub>	< 2.5 VDC
Switching frequency	15 Hz
Short circuit protection	Yes
Reverse polarity protection	Yes

**Mechanical data**

Type	Cylindrical threaded
Housing material	POM
Material (screw nut)	POM
Material (gasket)	EPDM50
Dimension	12 mm
Housing length	39.5 mm
Connection types	Flylead connector M8, L=200 mm

**Ambient conditions**

Operating temperature	0 ... +50 °C
Protection class	IP 67

**Remarks**

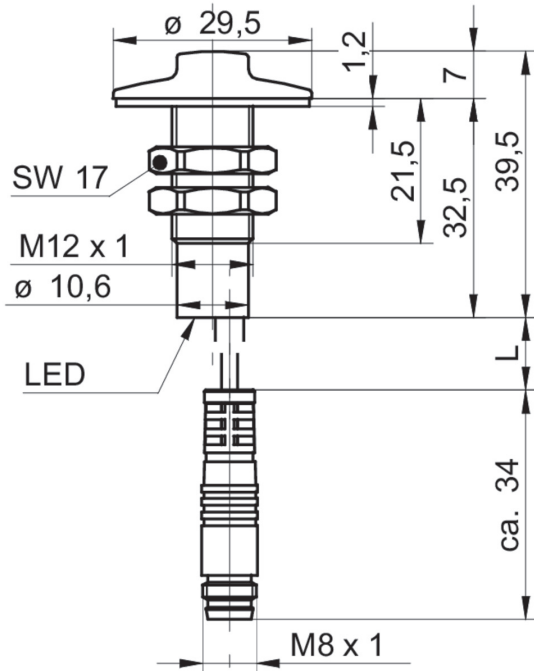
- For installation in grounded metal container
- For use in contaminated media like blackwater
- Switches in contact with highly conductive media
- EMC: EN 60947-5-2:2007+A1:2012

# CFAK 12P3140/KS35L

Capacitive proximity sensors

Article number: 11045946

## Dimension drawing



## Connection diagram

