



EN	Operating Instructions	3
----	------------------------	---

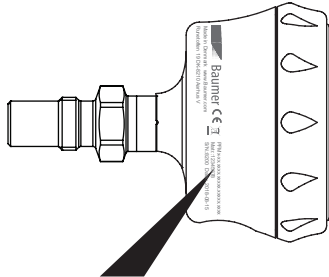
DE	Betriebsanleitung	17
----	-------------------	----



FR	Manuel de mise en service	31
----	---------------------------	----




CombiPress™ PFMH/N




Fully welded pressure transmitter with touch screen

Type plate / Typenschild / Plaque d'identification



 Baumer 	PFM: xxx.xxxx.xxxxx.xxxxx Matr.: 12345678 S/N: 8200 Date: 2018-08-15	Cell Range: -0.345...400.00 Bar Rel In: U: 10...35V Out: I: 4...20mA HART Zone 0: 20°C Tamb: 60°C Other zones: 40°C Tamb: 85°C IP67	T0V 13 ATEX 113125X II 1G Ex ia IIC T8 Gb II 1D Ex ia IIC T100°C Da U: 30VDC I: 0.1A P: 0.75W C=409F L=10"
---	--	---	--

Type	■ Type of sensor
Matr.	■ Material number
S/N	■ Serial number
Date	■ Date of manufacture
Cell range	■ Pressure range of measuring cell
In	■ Power supply
Out	■ Output signal
Tamb	■ Ambient temperature
IP	■ Degree of protection
ATEX	■ Explosion protection, type-specific
Tag	■ Tag number, customer-specific
	■ Do not dispose of in household waste
	■ Conformity with EU directives
	■ Approvals, type-specific

Version	■ Sensortyp
Matr.	■ Materialnummer
S/N	■ Seriennummer
Date	■ Herstellungsdatum
Cell range	■ Druckbereich Messzelle
In	■ Speisung
Out	■ Ausgangssignal
Tamb	■ Umgebungstemperatur
IP	■ Schutzart
ATEX	■ Explosionsschutz, typspezifisch
Tag	■ Kennnummer, kundenspezifisch
	■ Nicht im Hausmüll entsorgen
	■ Konformität mit EU-Richtlinien
	■ Zulassungen, typspezifisch




Version	■ Type de capteur
Matr.	■ Réf. mat.
S/N	■ Numéro de série
Date	■ Date de fabrication
Cell range	■ Plage de pression de la cellule de mesure
In	■ Alimentation
Out	■ Signal de sortie
Tamb	■ Température ambiante
IP	■ Indice de protection
ATEX	■ Protection contre les explosions, selon le type
Tag	■ Identifiant, spécifique au client
	■ Ne pas jeter avec les ordures ménagères
	■ Conformité avec les directives européennes
	■ Autorisations, selon le type

Table of contents

1.	Safety	3	8.	Configuration.....	11
2.	Construction and function	4	9.	Operation	12
3.	Symbols	4	10.	Troubleshooting	13
4.	Transport and storage	4	11.	Cleaning, maintenance and repair.....	13
5.	Mounting	5	12.	Disposal	13
6.	Electrical connection	7	13.	Accessories.....	13
7.	Electrical connection in explosion hazardous areas	10	14.	Technical data	14
			15.	Configuration overview.....	15

1. Safety

Intended use

The sensor measures pressure of liquids and gases within the range of $-40 \dots 200 \text{ }^{\circ}\text{C}$. The sensor must only be used for media against which the housing material and sensor tip are resistant.

Staff qualification

Only use staff who are trained for the activities described. This applies in particular to assembly, installation, configuration and troubleshooting. Make sure that the staff have read and understood these instructions.

Electrical connection and EMC

All electrical wirings must comply with local standards and connections must be made according to the connection diagrams.

UL Approval

For use in accordance with UL marking the device shall be connected to SELV and Limited energy external circuits according cl. to 9.4 of UL61010-1 3rd ed. through a CYJV/7, CYJV2/8, PVVA/7, PVVA2/8 or AVLV2/8 rated cable suitable for the application.

Technical condition

Only use sensor in perfect technical condition. Only use Baumer accessories. Baumer will accept no liability for other manufacturers' accessories.

Operation

The power supply and environmental conditions must comply with the specifications of the device. Before switching the device on and off, possible effects on other equipment and the process run must be checked.

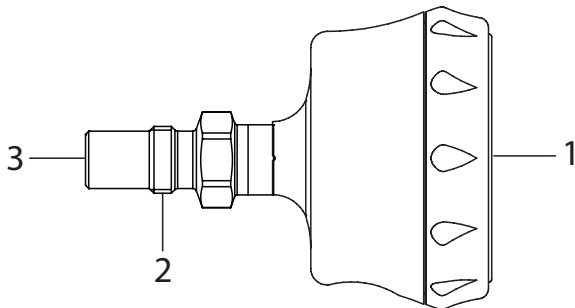
Risk of burns from hot media

During operation the sensor housing may warm up to over $50 \text{ }^{\circ}\text{C}$. When working with hot media provide protection against burns.

CombiPress™ PFMH/N

Fully welded pressure transmitter with touch screen

2. Construction and function




- 1 DFON display
- 2 Thread for mounting the PFMH/N
- 3 Flush diaphragm

The PFMH/N is a high-end programmable pressure transmitter for industrial or hygienic applications. The sensor measures pressure in all gaseous and liquid processes through a flush diaphragm. Pressures from full vacuum to 400 bar gauge pressure or from 0 to 400 bar absolute pressure can be measured with the sensor. Programming can be done via the touch screen display or via the FlexProgrammer 9701. During operation, the display shows information regarding measured values, alarms and other data.

3. Symbols

3.1 Symbols in warning signs

Symbol	Warning term	Explanation
	DANGER	In situations which cause death or serious injuries.
	WARNING	In situations which can cause death or serious injuries.
	CAUTION	In situations which can cause light or medium injuries.
	ATTENTION	For material damage

3.2 Approvals



The EHEDG certificate is only valid in connection with the appropriate installation parts.



The requirements of the respective 3-A Sanitary Standards will only be fulfilled in combination with appropriate mounting accessories. Those are marked with the 3-A logo.



Approved for explosion hazardous areas when installed as specified.

4. Transport and storage

- ▶ Check packaging and sensor for damage.
- ▶ In the event of damage: Do not use sensor.
- ▶ During transport and storage, always cover the sensor with the protection cap.
- ▶ Store sensor where it will be secure against shock.
Storage temperature range: -40 ... +85 °C
Relative humidity: < 98 %

5. Mounting

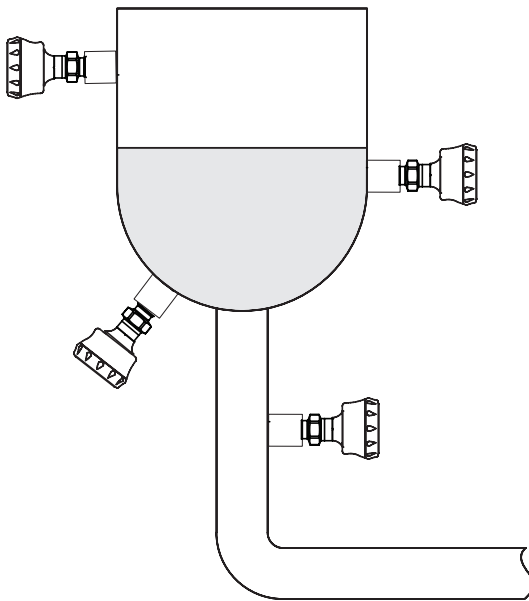
5.1 Mounting conditions



ATTENTION

Mechanical damage of the diaphragm

- ▶ Do not touch the diaphragm.
- ▶ Always cover the sensor with the protection cap after usage.



The sensor can be mounted on any point on the vessel or pipe.

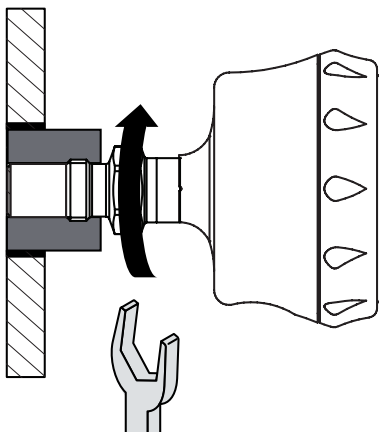
5.2 PFMN mounting



DANGER

Risk of injury from hazardous medium

- ▶ Wear protective equipment for hazardous media (e.g. acids, alkaline solutions).
- ▶ Empty vessel and pipe before mounting.



- ✓ Vessel and pipe are free of media
- ▶ For mounting an NPT connection, seal thread with Teflon tape (PTFE).
- ▶ Screw in sensor.

Tightening torque:

- G 1/2 A hygienic: max. 20 Nm
- G 1 A hygienic: max. 20 Nm
- G 1/2 A DIN 3852-E: max. 30 Nm
- 1/2-14 NPT: max. 20 Nm

CombiPress™ PFMH/N

Fully welded pressure transmitter with touch screen

5.3 PFMH mounting

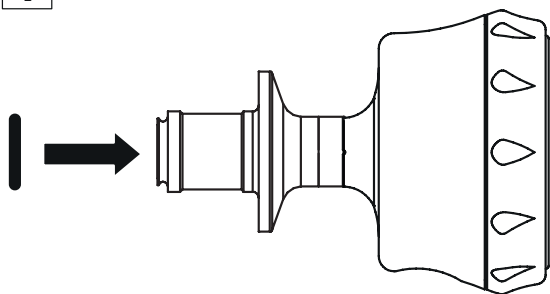


DANGER

Risk of injury from hazardous medium

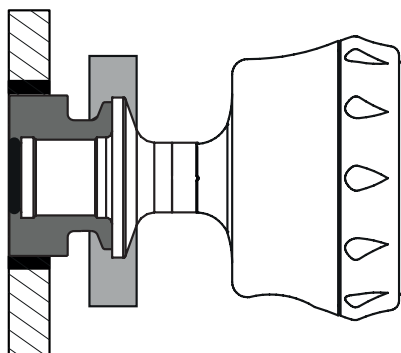
- ▶ Only use weld-in sleeves or adapters from Baumer.
- ▶ Wear protective equipment for hazardous media (e.g. acids, alkaline solutions).
- ▶ Do not seal the process connections with Teflon tape or elastomer.
- ▶ Empty vessel and pipe before mounting.

1



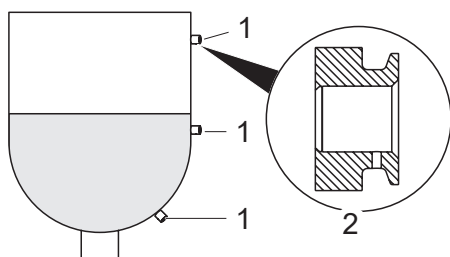
- ✓ Hole for mounting the sensor is easily accessible
- ▶ Mount weld-in sleeve or adapter as follows:
 - 3-A mark or arrow points upwards
 - Leakage hole points downwards
 - Hygienically and internally flush
- ▶ Grind welding to $Ra \leq 0.8 \mu m$.
- ▶ Remove protection cap from diaphragm.
- ▶ Push the sealing ring on (1).
- ▶ Mount the sensor and tighten closure clamp (2).

2



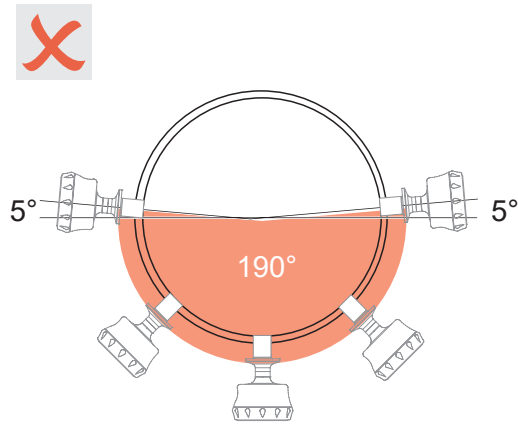
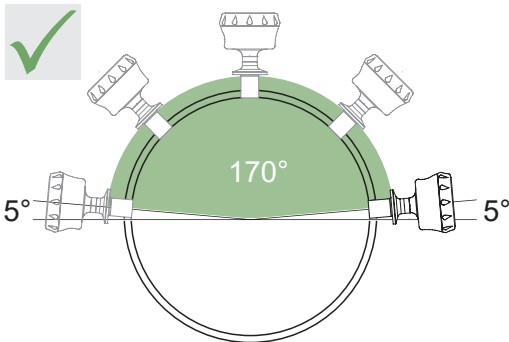
- ▶ Check leak-tightness of the sleeve.
- ▶ Check tightness of the cable glands or M12 plug.
- ▶ Ensure that the housing cover is fastened properly.

Example of mounting with weld-in sleeve ZPW2-621



- 1 ZPW2-621 (BHC 3A DN38)
- 2 Leakage hole

Example of mounting with weld-in sleeve ZPW2-626

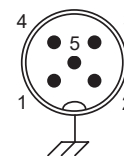


6. Electrical connection

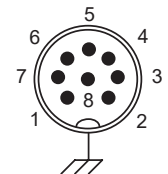
6.1 External connections

- ✓ A voltage supply of 10 ... 35 V DC is provided (with DFON display min. voltage is 14.5 V DC or 16.5 V DC depending on background intensity)
- ▶ Switch off supply voltage.
- ▶ Connect sensor in accordance with the pin assignment.

M12, 5-pin



M12, 8-pin



Connector type	Pin	Function
M12, 5-pin	1	Supply +, 4 ... 20 mA
	2	Common for relays 11, 21
	3	Supply -, 4 ... 20 mA
	4	Relay 22
	5	Relay 12
M12, 8-pin	1	not connected
	2	Supply +, 4 ... 20 mA
	3	Relay 21
	4	Relay 22
	5	Relay 11
	6	Relay 12
	7	Supply -, 4 ... 20 mA
	8	not connected

If no common supply is used for both relays an M12, 8-pin connector is required.

CombiPress™ PFMH/N

Fully welded pressure transmitter with touch screen

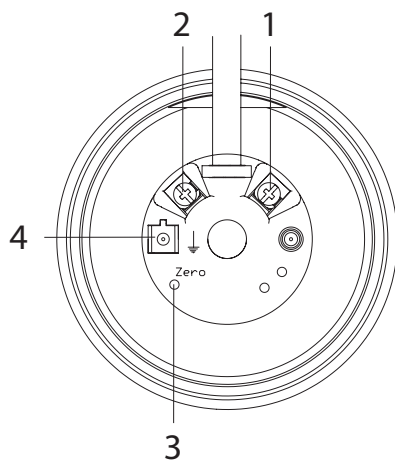
Electrical connection with cable gland

- ✓ Sensor is mounted
- ▶ Screw in cable gland.
Tightening torque: 4 Nm

Cable gland type	Cable diameter
M16 plastic	5 ... 10 mm
M16 stainless steel	5 ... 9 mm
M20 plastic	8 ... 13 mm
M20 stainless steel	9 ... 13 mm

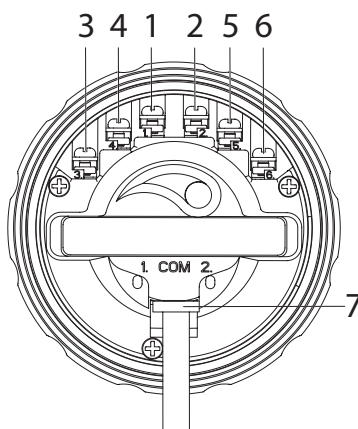
6.2 Internal connections

PFMH/N transmitter



- 1 Supply -, 4 ... 20 mA
- 2 Supply +, 4 ... 20 mA
- 3 Zero-point adjustment
- 4 Grounding connection

DFON display



- 1 Not connected
- 2 Not connected
- 3 Relay 21
- 4 Relay 22
- 5 Relay 11
- 6 Relay 12
- 7 UnitCom (ribbon cable)

6.3 Mounting DFON display



ATTENTION

Damage of the front cover or ring

- ▶ Do not use tools to tighten the front cover or screwing ring.

- ▶ Remove the front cover.
- ▶ Remove the O-ring from the sealing groove.
- ▶ Connect the internal UnitCom ribbon cable to the DFON in accordance with the pin assignment.
- ▶ Tighten the screwing ring by hand.

6.4 Connecting FlexProgrammer

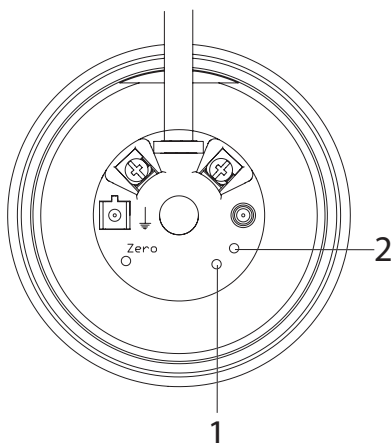
Connection to DFON display



- 1 Com 1
- 2 Com 2

- ▶ Open the housing by unscrewing the front cover.
- ▶ Connect the red clip to Com 1.
- ▶ Connect the black clip to Com 2.

Connection to PFMH/N transmitter



- 1 Com 1
- 2 Com 2

- ▶ Open the housing by unscrewing the front cover.
- ▶ Connect the red clip to Com 1.
- ▶ Connect the black clip to Com 2.

CombiPress™ PFMH/N

Fully welded pressure transmitter with touch screen

7. Electrical connection in explosion hazardous areas



DANGER

Risk of fatal accident due to a wrongly connected sensor

Correct gas and dust protection can only be achieved by meeting their installation requirements.

- ▶ Make sure that all requirements are met and that sensor and installation have a valid approval for their specific explosive atmosphere.
- ▶ Allow only persons trained in explosion protection to perform the installation.
- ▶ Never use FlexProgrammer in explosion hazardous areas.

7.1 Explosive gas/dust atmospheres zone 0, 1 and 2 / zone 20, 21 and 22

The PFMH and PFMN can be used in explosion hazardous areas of zone 0, 1, 2, 20, 21 or 22. Sensors must be installed with Zener barriers.

Approval for: PFMx-xx.xxxx.xxxxx.xxxxx.x5xx Ex ia IIC T5 Ga and Ex ia IIIC T100°C Da

All PFMH/N with intrinsic safety protection ia

- ▶ Use Zener barriers.
- ▶ Comply with the following temperatures, connection values and circuit diagram.
- ▶ Use a Zener barrier for each relay if relays are enabled.

ATEX II 1G Ex ia IIC T5 Ga

ATEX II 1D Ex ia IIIC T100 °C Da

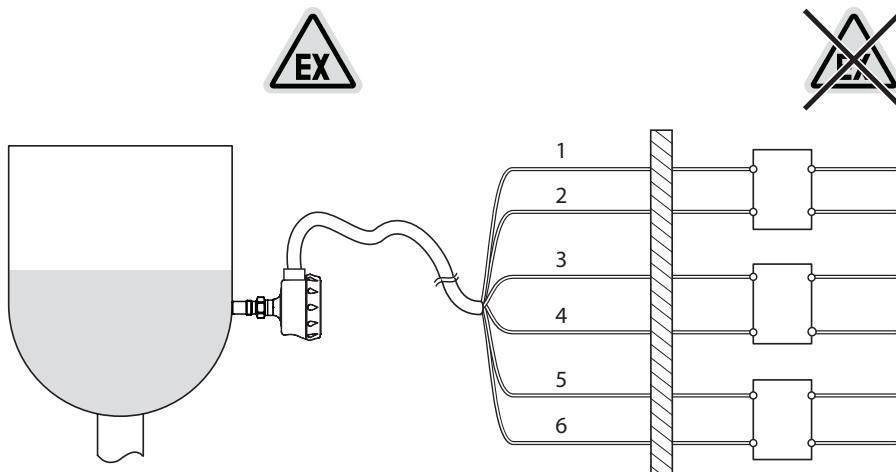
Limit values

■ Current loop (+Vs, Iout):	Ui: 30 V DC Ii: 100 mA Pi: 0.75 W Ci: 40 nF Li: 10 µH
-----------------------------	---

■ Relay outputs:	Ui: 30 V DC Ii: 75 mA Pi: 0.75 W Ci: 10 nF Li: 10 µH
------------------	--

Temperature class T1...T5:

■ Zone 0	-20 < Tamb < 60 °C
■ Other zones	-40 < Tamb < 65 °C



Function	Pin
+Vs	1
Iout	2
Relay 21	3
Relay 22	4
Relay 11	5
Relay 12	6

7.2 Explosive gas atmospheres zone 2

The PFMH and PFMN can be used in explosion hazardous areas of zone 2 without using Zener barriers.

Approval for PFMx-xx.xxxx.xxxxx.xxxxx.x3xx: Ex ec II T5

All PFMN/H with protection type ec

- ▶ Comply with the following temperatures and connection values.

ATEX II 3G Ex ec II T5

Supply range	Un: 35 V DC max. In: 100 mA max.
Temperature class	T1 ... T5:
<ul style="list-style-type: none"> ■ with display ■ without display 	<ul style="list-style-type: none"> –30 < Tamb < 65 °C –40 < Tamb < 85 °C

8. Configuration

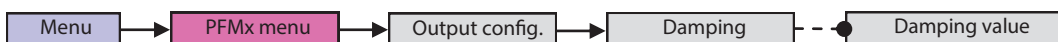
8.1 Configuration via touch screen

Programming CombiView, type DFON

- ▶ Tap on the display screen and hold until the menu button appears.
- ▶ Press menu to start the configuration.

Examples

- ▶ Configure damping value.



- ▶ Configure pressure unit.



- ▶ Further available settings:

- Input and display outputs
- Relays
- Warning and error indication
- Screen layout
- Backlight intensity
- Color
- Language

8.2 Zero point

Relative pressure

- ▶ Set zero pressure equal to atmospheric pressure or level in the selected tank.

Absolute pressure

- ▶ Set zero point lower than 1 mbar absolute.

Revert to factory setting

- ▶ Select factory settings with FlexProgrammer.

For optimal results, adjust zero point after mounting.

Zero point adjustment

- ✓ Pressure transmitter and installation area have the same temperature
 - ✓ Zero point pressure set
 - ▶ Press zero button and hold until LED starts to flash fast.
- FlexProgrammer or HART configurator can be used alternatively.

CombiPress™ PFMH/N

Fully welded pressure transmitter with touch screen

8.3 Configuration via FlexProgrammer



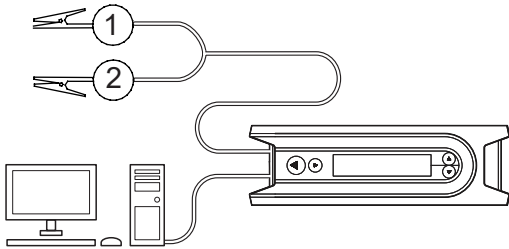
DANGER

FlexProgrammer is not ATEX approved for use in explosive atmospheres

- ▶ Do not use FlexProgrammer in explosive atmospheres.

Configuring with FlexProgrammer and PC

- ▶ Remove front cover/DFON display from PFMH/N.
- ▶ Connect FlexProgrammer to sensor.
- ▶ Connect FlexProgrammer to PC and set parameters (see FlexProgrammer instructions).



Configuration in explosive atmospheres

- ✓ Power supply off
- ▶ Disconnect PFMH/N from circuit.
- ▶ Remove PFMH/N and take it to a safe area (outside the explosive atmosphere).
- ▶ Start the configuration.

Options

- Pressure/temperature unit
- Pressure range
- Current limits
- Damping
- Data logging
- One or two point trim
- Auto-zero
- Factory reset

9. Operation

Display views



Digital

- small with details
 - large
- Product specific mode
- Pressure and temperature



Graph

- horizontal bar
- vertical bar
- time graph



Analogue

- analogue
- with bar graph
- with value



Tank

- tank illustration
- bottle illustration

10. Troubleshooting

Fault	Cause	Action
Display is off and no signals from transmitter	Sensor not correctly connected	▶ Check plug and power supply.
	Device error	▶ Dismount and send sensor to Baumer.
Display is on but no signals from transmitter	Short circuit	▶ Remedy short circuit.
Display is off but there are signals from transmitter	UnitCom cable not connected	▶ Connect the display and the transmitter with the UnitCom cable.
Display does not show the correct data	Incorrect pressure range	▶ Check programmed range limits.

11. Cleaning, maintenance and repair

Cleaning

- ▶ Do not use a high pressure cleaner or other tools except of a soft brush to clean the membrane.
- ▶ Clean, disinfect or sterilize sensor as needed (CIP/SIP).

Maintenance

Regular maintenance is not required.

Repair

- Do not repair the sensor yourself.
- ▶ Send damaged sensor to Baumer.

12. Disposal



- ▶ Do not dispose of in household waste.
- ▶ Separate materials and dispose of in compliance with nationally applicable regulations.

13. Accessories

For mounting aids and other accessories see www.baumer.com.

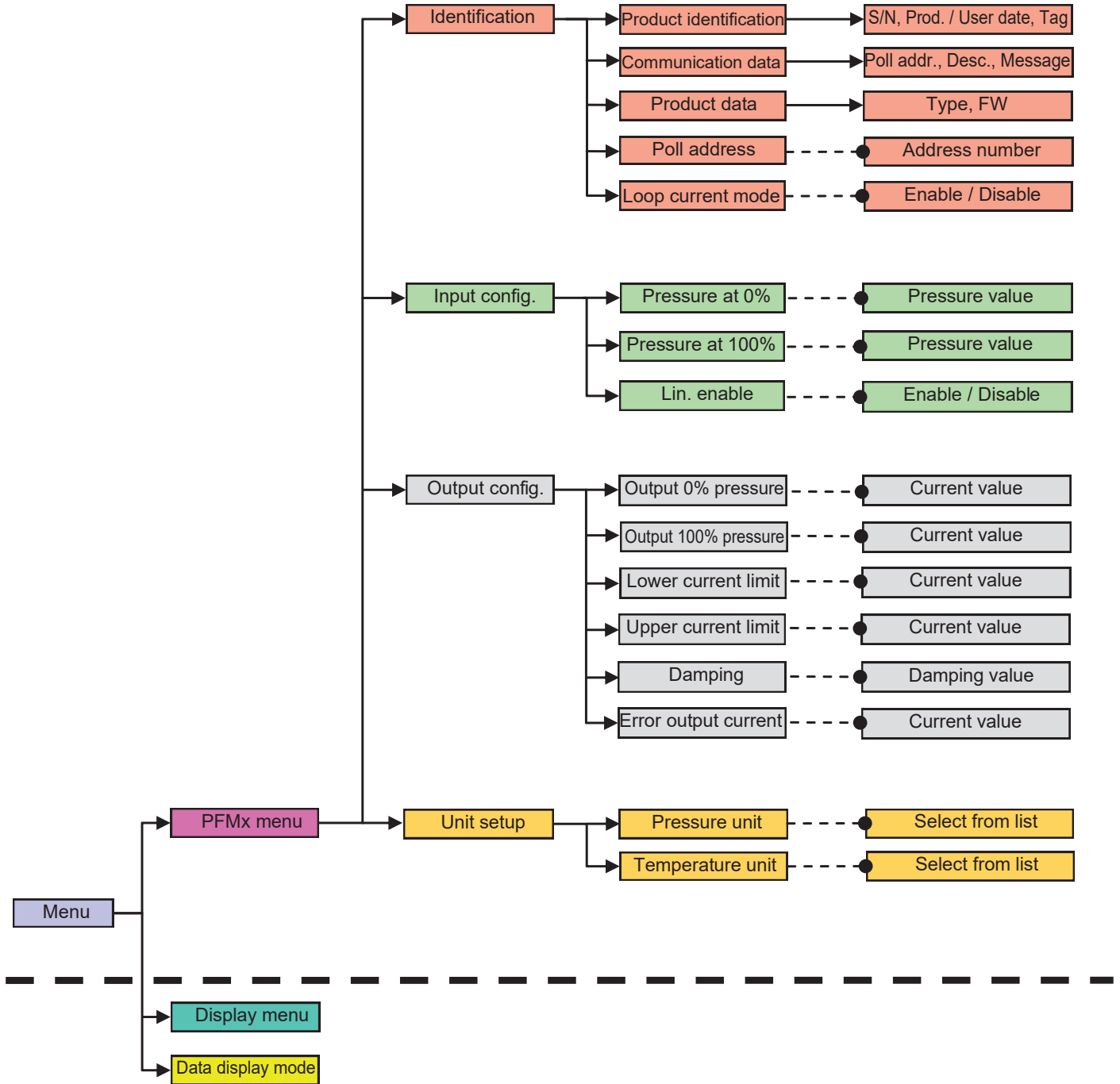
14. Technical data

Environmental conditions		Power supply and output signal	
Operating temperature	-40 ... 85 °C	Voltage supply range	10 ... 35 V DC
Humidity	< 98 % RH, condensing	Current output	<ul style="list-style-type: none"> ■ 4 ... 20 mA ■ 20 ... 4 mA ■ 4 ... 20 mA + HART®
Degree of protection	<ul style="list-style-type: none"> ■ IP67 ■ IP69K (with appropriate cable) 	Performance specifications	
Vibration (sinusoidal) (IEC 60068-2-6)	1.6 mm p-p (2 ... 25 Hz), 4 g (25 ... 100 Hz), 1 octave/min.	Accuracy (Linearity, hysteresis, repeatability)	<ul style="list-style-type: none"> ■ 0.1 % FS@20 °C up to 2:1 turndown ■ 0.25 % FS@20 °C up to 4:1 turndown
Process Conditions		Temperature drift of zero point	≤ ±0.005 % FS/°C
Process temperature	<ul style="list-style-type: none"> ■ Standard oil: -40 ... 125 °C (< 150 °C for < 60 min) ■ NSF H1 listed oil (FDA approved): -5 ... 125 °C (< 150 °C for < 60 min) ■ With cooling neck: 200 °C max. 	Temperature drift of span	≤ ±0.005 % FS/°C
		Long-term drift	0.1 % FS/year
		Rise time (10% ... 90%)	≤ 0.3 s
		Sampling interval	≤ 0.3 s
		Power-up time	< 10 s
		Max. turndown ratio	10:1
		Min. measuring span	50 mbar

Measuring ranges and overpressure resistance

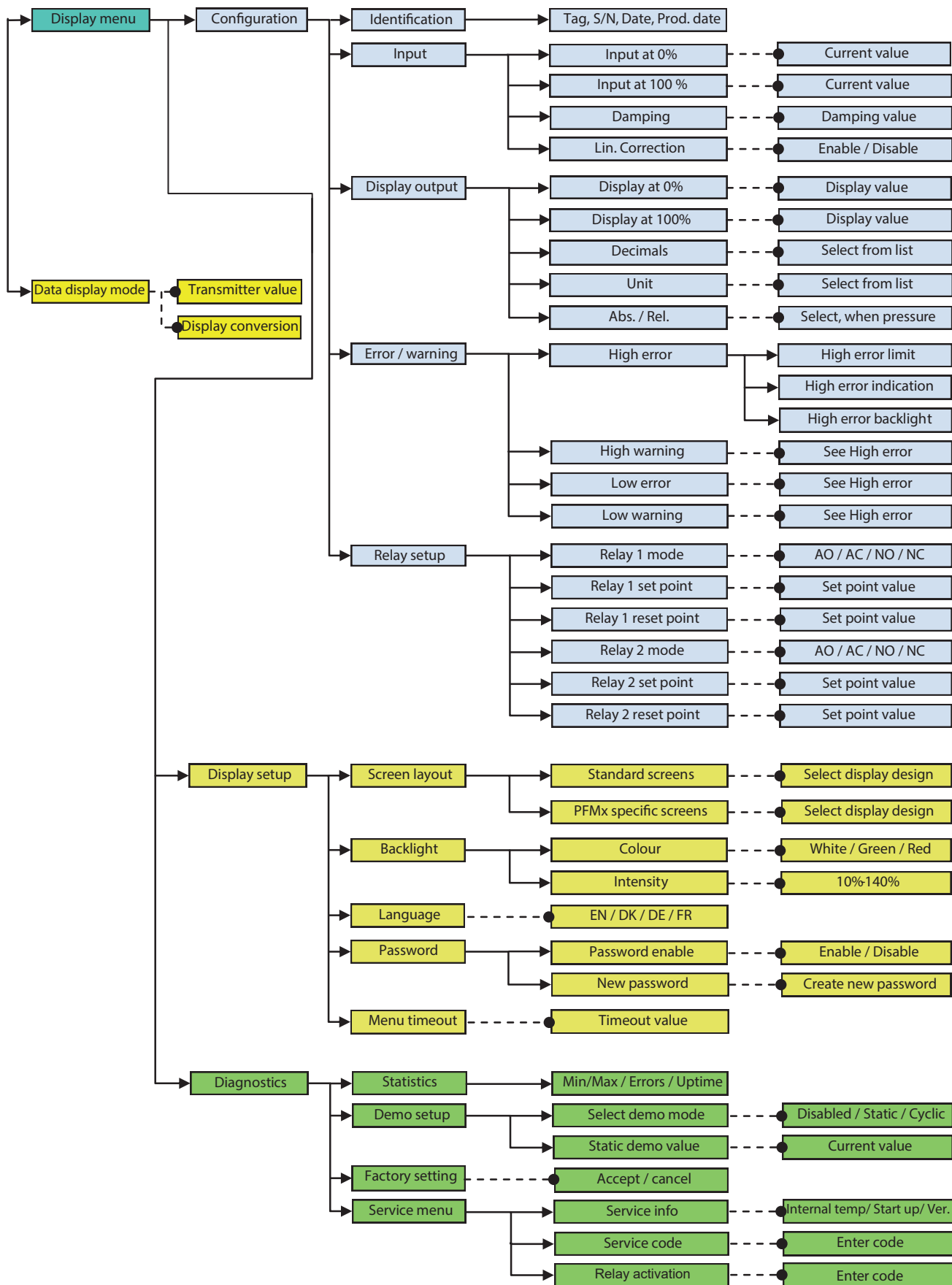
Pressure range, relative [bar]	0 ... 0.345	-1 ... 1	-1 ... 5	-1 ... 20	-1 ... 34	-1 ... 68	-1 ... 400
Proof pressure	1	3	15	60	70	135	690
Burst pressure	2	6	30	120	140	270	1350
Pressure range, absolute [bar]	0 ... 1	0 ... 5	0 ... 20	0 ... 34	0 ... 68	0 ... 400	
Proof pressure		3	15	60	70	135	690
Burst pressure		6	30	120	140	270	1350

15. Configuration overview



CombiPress™ PFMH/N

Fully welded pressure transmitter with touch screen



Inhaltsverzeichnis

1. Sicherheit	17	8. Konfiguration	25
2. Aufbau und Funktion	18	9. Betrieb	26
3. Symbole	18	10. Störungsbehebung	27
4. Transport und Lagerung	18	11. Reinigung, Wartung und Reparatur	27
5. Montage	19	12. Entsorgung	27
6. Elektrischer Anschluss	21	13. Zubehör	27
7. Elektrischer Anschluss in explosionsgefährdeten Bereichen	24	14. Technische Daten	28
		15. Konfigurationsübersicht	29

1. Sicherheit

Bestimmungsgemäße Verwendung

Der Sensor dient zum Messen des Drucks von Flüssigkeiten und Gasen im Bereich $-40 \dots 200 \text{ °C}$.

Der Sensor darf nur für Medien eingesetzt werden, gegen die das Gehäusematerial und die Sensorspitze resistent sind.

Personalqualifikation

Setzen Sie nur Mitarbeiter ein, die zur Durchführung solcher Arbeiten ausgebildet wurden. Dies gilt insbesondere für Montage, Installation, Konfiguration und Störungsbehebung. Sicherstellen, dass das Personal diese Anleitung gelesen und verstanden hat.

Elektrischer Anschluss und EMV

Sämtliche elektrische Leitungen müssen die örtlichen Auflagen erfüllen und Verbindungen sind anhand der Anschlussbilder durchzuführen.

UL-Zulassung

Für die Verwendung in Übereinstimmung mit der UL-Kennzeichnung muss das Gerät an eine externe SELV und an einen begrenzten Energiestromkreis gemäß UL61010-1 3 angeschlossen werden mittels einem für die Anwendung geeignetem CYJV/7, CYJV2/8, PVVA/7, PVVA2/8 oder AVLV2/8 Kabel.

Technischer Zustand

Den Sensor nur dann benutzen, wenn er sich in einem einwandfreien technischen Zustand befindet.

Nur Zubehör von Baumer verwenden.

Für Zubehör anderer Hersteller übernimmt Baumer keine Haftung.

Betrieb

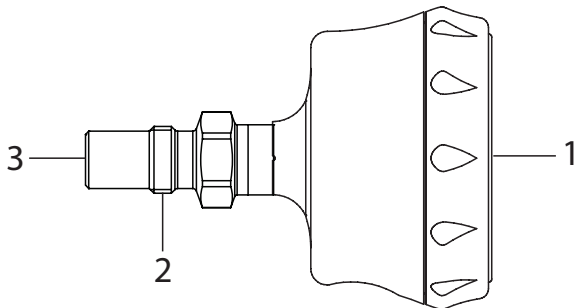
Die Stromversorgung und die Umgebungsbedingungen müssen die Gerätespezifizierungen erfüllen.

Bevor Sie das Gerät ein- und ausschalten, prüfen ob eventuelle Auswirkungen auf andere Geräte und den Prozessablauf vorhanden sind.

Verbrennungsgefahr bei heißen Medien

Das Gehäuse des Sensors kann sich im Betrieb auf über 50 °C erwärmen. Bei heißen Medien für Verbrennungsschutz sorgen.

2. Aufbau und Funktion




- 1 DFON-Display
- 2 Gewinde zur Montage des PFMH/N
- 3 Frontbündige Membrane

Der PFMH/N ist ein programmierbarer High-End-Druckmessumformer für industrielle und hygienische Anwendungen. Der Sensor misst durch eine frontbündige Membrane den Druck aller gasförmigen und flüssigen Prozessmedien. Die Relativdruckmessung ist von Vakuum bis 400 bar, die Absolutdruckmessung von 0 bis 400 bar möglich.

Die Programmierung kann über den Touchscreen oder über den FlexProgrammer 9701 erfolgen. Während des Betriebs werden auf dem Display Informationen über die Messwerte, Alarmer und weitere Daten angezeigt.

3. Symbole

3.1 Symbole in Warnhinweisen

Symbol	Signalwort	Erklärung
	GEFAHR	Bei Situationen, die zum Tod oder zu schweren Verletzungen führen.
	WARNUNG	Bei Situationen, die zum Tod oder zu schweren Verletzungen führen können.
	VORSICHT	Bei Situationen, die zu leichten oder mittelschweren Verletzungen führen können.
	ACHTUNG	Bei Sachschäden

3.2 Zulassungen



Das EHEDG-Zertifikat ist nur gültig in Verbindung mit den entsprechenden Einbauteilen.



Die Anforderungen gemäss 3-A Sanitary Standard werden nur mit den entsprechenden Einbauteilen erfüllt. Diese sind mit dem 3-A-Logo gekennzeichnet.



Bei Einbau gemäss Spezifikation für explosionsgefährdete Bereiche zugelassen.

4. Transport und Lagerung

- ▶ Verpackung und Sensor auf Beschädigungen prüfen.
- ▶ Bei Beschädigung: Sensor nicht verwenden.
- ▶ Während Transport und Lagerung den Sensor stets mit der Schutzkappe versehen.
- ▶ Den Sensor immer an einem stossicheren Ort aufbewahren.
Lagertemperaturbereich: $-40 \dots +85 \text{ }^{\circ}\text{C}$
Relative Luftfeuchtigkeit: $< 98 \%$

5. Montage

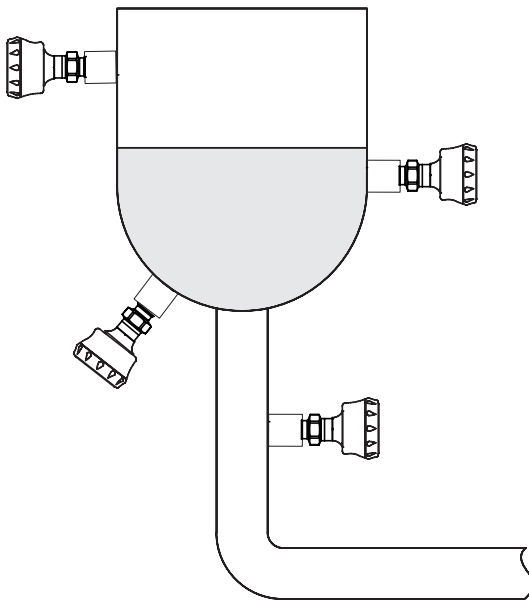
5.1 Montagebedingungen



ACHTUNG

Mechanische Beschädigung der Membrane

- ▶ Die Membrane nicht berühren.
- ▶ Nach abgeschlossener Verwendung den Sensor stets mit der Schutzkappe versehen.



Der Sensor kann an jedem beliebigen Punkt des Behälters oder der Rohrleitung angebracht werden.

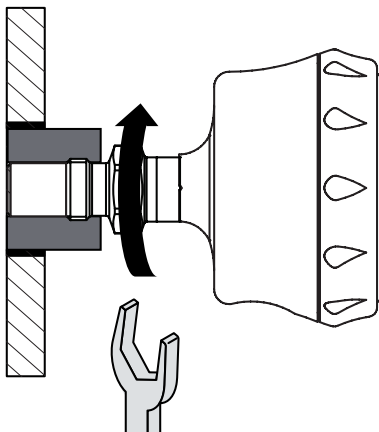
5.2 Montage des PFMN



GEFAHR

Verletzungsgefahr durch gefährliche Medien

- ▶ Schutzausrüstung zum Schutz vor gefährlichen Medien (z. B. Säuren, alkalische Lösungen) tragen.
- ▶ Vor der Montage den Behälter und die Rohrleitung entleeren.



- ✓ Behälter und Rohrleitung sind frei von Medien
- ▶ Bei Montage eines NPT-Anschlusses das Gewinde mit Teflonband (PTFE) abdichten.
- ▶ Sensor einschrauben.

Anzugsmoment:

- G 1/2 A hygienerecht: max. 20 Nm
- G 1 A hygienerecht: max. 20 Nm
- G 1/2 A DIN 3852-E: max. 30 Nm
- 1/2-14 NPT: max. 20 Nm

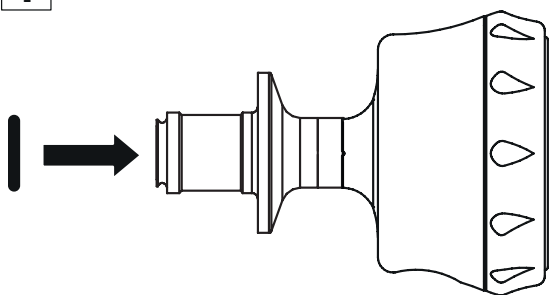
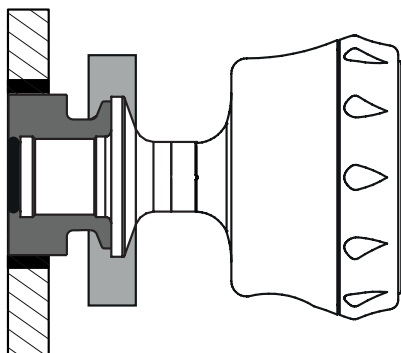
5.3 Montage des PFMH



GEFAHR

Verletzungsgefahr durch gefährliche Medien

- ▶ Nur Einschweissmuffen oder Adapter von Baumer verwenden.
- ▶ Schutzausrüstung zum Schutz vor gefährlichen Medien (z. B. Säuren, alkalische Lösungen) tragen.
- ▶ Die Prozessanschlüsse nicht mit Teflonband oder Elastomer abdichten.
- ▶ Vor der Montage den Behälter und die Rohrleitung entleeren.

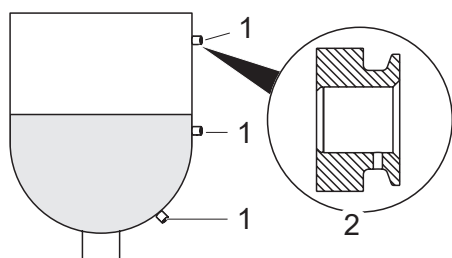
1

2


✓ Die Öffnung zur Montage des Sensors ist einfach zugänglich

- ▶ Einschweissmuffe oder Adapter wie folgt montieren:
 - 3-A Marke oder Pfeil zeigt nach oben
 - Leckagebohrung zeigt nach unten
 - Innen frontbündige Ausrichtung
- ▶ Schweißnaht auf $Ra \leq 0,8 \mu m$ glätten.
- ▶ Schutzkappe von der Membrane entfernen.
- ▶ Dichtring aufdrücken (1).
- ▶ Sensor montieren und die Verschlussklammer festziehen (2).

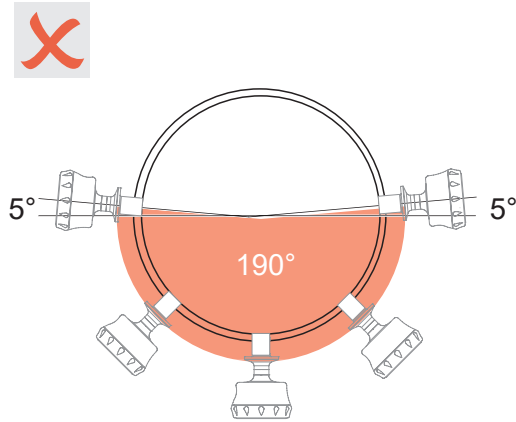
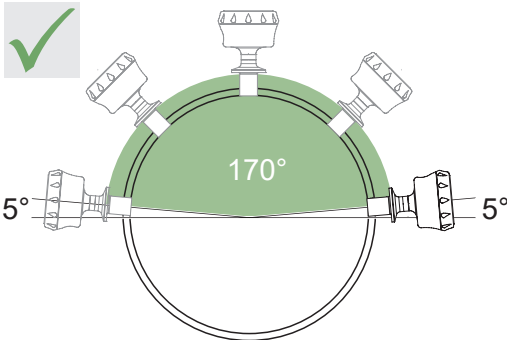
- ▶ Muffe auf Dichtigkeit prüfen.
- ▶ Dichtigkeit der Kabelschraubung oder des M12-Steckers prüfen.
- ▶ Überprüfen, dass der Gehäusedeckel fest verschraubt ist.

Montagebeispiel mit Einschweissmuffe ZPW2-621



- 1 ZPW2-621 (BHC 3A DN38)
- 2 Leckagebohrung

Montagebeispiel mit Einschweissmuffe ZPW2-626

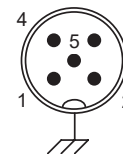


6. Elektrischer Anschluss

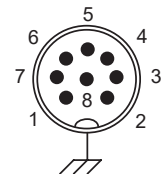
6.1 Externe Anschlüsse

- ✓ Eine Spannungsversorgung mit 10 ... 35 V DC steht bereit (mit DFON-Display mind. 14,5 V DC bzw. 16,5 V DC, je nach Intensität der Hintergrundbeleuchtung)
- ▶ Betriebsspannung ausschalten.
- ▶ Den Sensor in Übereinstimmung mit der Pin-Zuweisung anschliessen.

M12, 5-Pin



M12, 8-Pin



Steckverbindung-Version	Pin	Funktion
M12, 5-Pin	1	Stromversorgung +, 4 ... 20 mA
	2	Gemeinsamer Anschluss für Relais 11, 21
	3	Stromversorgung –, 4 ... 20 mA
	4	Relais 22
	5	Relais 12
M12, 8-Pin	1	nicht angeschlossen
	2	Stromversorgung +, 4 ... 20 mA
	3	Relais 21
	4	Relais 22
	5	Relais 11
	6	Relais 12
	7	Stromversorgung –, 4 ... 20 mA
	8	nicht angeschlossen

Wenn keine gemeinsame Versorgung für beide Relais verwendet wird, ist ein 8-Pin M12-Stecker erforderlich.

Voll verschweisster Drucksensor mit Touchscreen

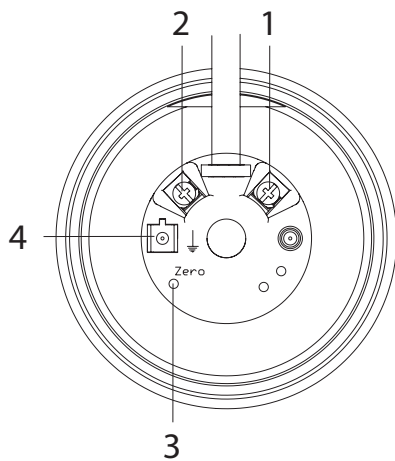
Elektrischer Anschluss mit Kabelverschraubung

- ✓ Sensor ist montiert
- ▶ Kabelverschraubung einschrauben.
Anzugsmoment: 4 Nm

Kabelverschraubungs-Version	Kabeldurchmesser
M16 Kunststoff	5 ... 10 mm
M16 Edelstahl	5 ... 9 mm
M20 Kunststoff	8 ... 13 mm
M20 Edelstahl	9 ... 13 mm

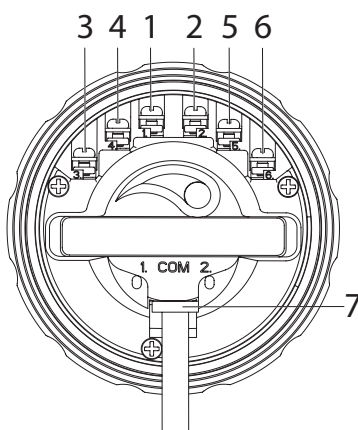
6.2 Interne Anschlüsse

PFMH/N-Messumformer



- 1 Stromversorgung –, 4 ... 20 mA
- 2 Stromversorgung +, 4 ... 20 mA
- 3 Nullpunkteinstellung
- 4 Erdungsanschluss

DFON-Display



- 1 Nicht angeschlossen
- 2 Nicht angeschlossen
- 3 Relais 21
- 4 Relais 22
- 5 Relais 11
- 6 Relais 12
- 7 UnitCom (Flachbandkabel)

6.3 Montage des DFON-Displays



ACHTUNG

Beschädigung von Frontdeckel und -ring

- ▶ Zum Befestigen des Frontdeckels und des Schraubings keine Werkzeuge verwenden.

- ▶ Frontdeckel abschrauben.
- ▶ O-Ring aus der Dichtung herausnehmen.
- ▶ Internes UnitCom-Flachbandkabel entsprechend Pinbelegung an das DFON anschliessen.
- ▶ Schraubring mit der Hand festziehen.

6.4 Anschluss des FlexProgrammer

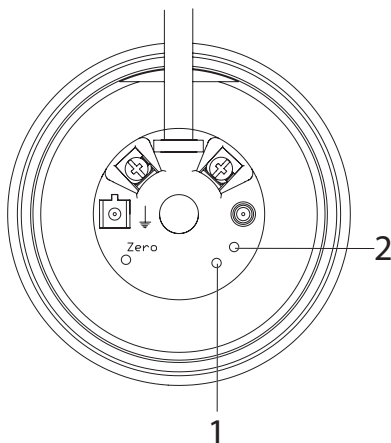
Anschluss an DFON-Display



- 1 Com 1
- 2 Com 2

- ▶ Frontdeckel abschrauben, um das Gehäuse zu öffnen.
- ▶ Die rote Klemme an Com 1 anschliessen.
- ▶ Die schwarze Klemme an Com 2 anschliessen.

Anschluss an PFMH/N-Messumformer



- 1 Com 1
- 2 Com 2

- ▶ Frontdeckel abschrauben, um das Gehäuse zu öffnen.
- ▶ Die rote Klemme an Com 1 anschliessen.
- ▶ Die schwarze Klemme an Com 2 anschliessen.

7. Elektrischer Anschluss in explosionsgefährdeten Bereichen



GEFAHR

Lebensgefahr durch einen falsch angeschlossenen Sensor

Der korrekte Gas- und Staubschutz wird nur erreicht, wenn alle Installationsanforderungen erfüllt sind.

- ▶ Sorgen Sie dafür, dass alle Anforderungen erfüllt sind und dass Sensor und Installation eine gültige Zulassung für die spezifische explosionsfähige Atmosphäre haben.
- ▶ Die Installation darf nur durch Fachkräfte, die im Explosionsschutz geschult sind, ausgeführt werden.
- ▶ Den FlexProgrammer niemals in explosionsgefährdeten Bereichen einsetzen.

7.1 Explosionsfähige Gas-/Staubatmosphären Zone 0, 1 und 2 / Zone 20, 21 und 22

Der PFMH und der PFMN sind für die Verwendung in explosionsgefährdeten Bereichen der Zone 0, 1, 2, 20, 21 und 22 geeignet. Sensoren sind mit Zenerbarrieren zu installieren.

Zulassung für: PFMx-xx.xxxx.xxxxx.xxxxx.x5xx Ex ia IIC T5 Ga und Ex ia IIIC T100°C Da

Alle PFMH/N haben die Zündschutzart Eigensicherheit ia.

- ▶ Zenerbarrieren verwenden.
- ▶ Die folgenden Temperaturen, Anschlusswerte und Schaltbilder einhalten.
- ▶ Eine Zenerbarriere pro Relais verwenden, wenn Relais aktiviert sind.

ATEX II 1G Ex ia IIC T5 Ga

ATEX II 1D Ex ia IIIC T100 °C Da

Grenzwerte

■ Stromschleife (+Vs, Iout):	Ui: 30 V DC Ii: 100 mA Pi: 0,75 W Ci: 40 nF Li: 10 µH
------------------------------	---

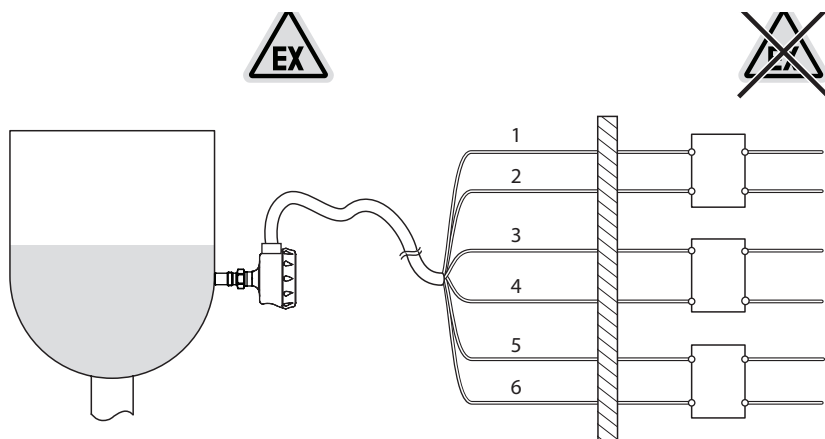
■ Relais-Ausgänge:	Ui: 30 V DC Ii: 75 mA Pi: 0,75 W Ci: 10 nF Li: 10 µH
--------------------	--

Temperaturklasse

■ Zone 0 und 20 ■ Andere Zonen	T1...T5: -20 < Tamb < 60 °C -40 < Tamb < 65 °C
-----------------------------------	--

Funktion Pin

Funktion	Pin
+Vs	1
Iout	2
Relais 21	3
Relais 22	4
Relais 11	5
Relais 12	6



7.2 Explosionsfähige Gasatmosphären Zone 2

Der PFMH und der PFMN sind für die Verwendung in explosionsgefährdeten Bereichen der Zone 2 ohne Zenerbarrieren geeignet.

Zulassung für PFMx-xx.xxxx.xxxxx.xxxxx.x3xx: Ex ec II T5

Alle PFMN/H haben die Zündschutzart ec. ▶ Die folgenden Temperaturen und Anschlusswerte einhalten.

ATEX II 3G Ex ec II T5

Versorgungsbereich	Un: 35 V DC max. In: 100 mA max.
Temperaturklasse	T1 ... T5:
▪ mit Display	-30 < Tamb < 65 °C
▪ ohne Display	-40 < Tamb < 85 °C

8. Konfiguration

8.1 Konfiguration über den Touchscreen

Programmierung des CombiView, Typ DFON

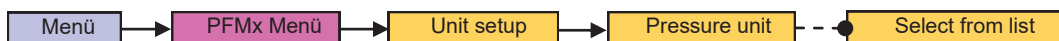
- ▶ Auf die Displayanzeige tippen und halten bis die Menüschaftfläche erscheint.
- ▶ Auf Menü tippen, um die Konfiguration zu starten.

Beispiele

- ▶ Konfigurieren des Dämpfungswerts.



- ▶ Konfigurieren der Druckeinheit.



- ▶ Weitere mögliche Einstellungen:

- | | |
|-------------------------------|--------------------------|
| ▪ Eingang und Displayausgänge | ▪ Bildschirm-Layout |
| ▪ Relais | ▪ Hintergrundbeleuchtung |
| ▪ Warnungs- und Fehleranzeige | ▪ Farbe |
| | ▪ Sprache |

8.2 Nullpunkt

Relativdruck

- ▶ Den Drucknullpunkt auf den Atmosphärendruck oder den Druckpegel im ausgewählten Tank einstellen.

Absolutdruck

- ▶ Den Drucknullpunkt auf unter 1 mbar absolut einstellen.

Zurücksetzen auf Werkseinstellung

- ▶ Mit dem FlexProgrammer die Werkseinstellungen auswählen.

Um optimale Ergebnisse zu erhalten, nach der Montage die Nullpunkteinstellung durchführen.

Nullpunkteinstellung

- ✓ Druckmessumformer und Installationsbereich haben die gleiche Temperatur
 - ✓ Drucknullpunkt ist eingestellt
 - ▶ Die Nullpunktaste gedrückt halten, bis die LED schnell blinkt.
- Alternativ kann auch der FlexProgrammer oder HART-Konfigurator verwendet werden.

Voll verschweisster Drucksensor mit Touchscreen

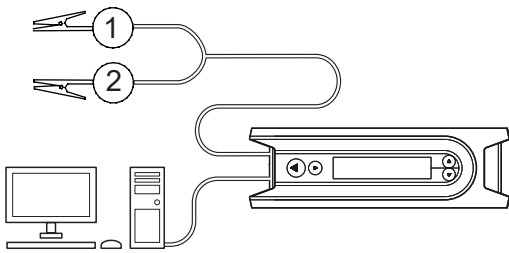
8.3 Konfiguration über FlexProgrammer

GEFAHR
 Der FlexProgrammer ist nicht für den Einsatz in explosionsfähigen Atmosphären nach ATEX zugelassen.

- ▶ Den FlexProgrammer niemals in explosionsgefährdeten Bereichen einsetzen.

Konfiguration mit FlexProgrammer und PC

- ▶ Den Frontdeckel/das DFON-Display vom PFMH/N abschrauben.
- ▶ Den FlexProgrammer an den Sensor anschliessen.
- ▶ Den FlexProgrammer an den PC anschliessen und die Parameter einstellen (siehe FlexProgrammer-Anleitung).



Konfiguration in explosionsfähiger Atmosphäre

- ✓ Stromversorgung ist aus
- ▶ Den PFMH/N vom Kreislauf trennen.
- ▶ Den PFMH/N ausbauen und in einen sicheren Bereich (ausserhalb der explosionsfähigen Atmosphäre) bringen.
- ▶ Konfiguration vornehmen.

Optionen

- Druck-/Temperatureinheit
- Druckbereich
- Stromgrenzwerte
- Dämpfung
- Datenerfassung
- Ein- oder Zwei-Punkt-Justage
- Automatische Nullstellung
- Zurücksetzen auf Werkseinstellung

9. Betrieb

Display-Darstellungen



Digital

- klein mit Details
 - gross
- Produktspezifischer Modus
- Druck und Temperatur

Balkendiagramm

- waagerechter Balken
- senkrechter Balken
- Zeitkurve

Analog

- analog
- mit Balkendiagramm
- mit Wert

Tank

- Behälterdarstellung
- Flaschendarstellung

10. Störungsbehebung

Störung	Ursache	Massnahme
Das Display ist aus und es werden keine Signale vom Messumformer übermittelt	Sensor nicht korrekt angeschlossen Gerätefehler	<ul style="list-style-type: none"> ▶ Stecker und Stromversorgung prüfen. ▶ Den Sensor ausbauen und an Baumer senden.
Das Display ist ein, es werden aber keine Signale vom Messumformer übermittelt	Kurzschluss	<ul style="list-style-type: none"> ▶ Kurzschluss beheben.
Das Display ist aus, es werden jedoch Signale vom Messumformer übermittelt	Das UnitCom-Kabel ist nicht angeschlossen	<ul style="list-style-type: none"> ▶ Das Display und den Messumformer mit dem UnitCom-Kabel verbinden.
Das Display zeigt nicht die richtigen Werte an	Unpassender Druckbereich	<ul style="list-style-type: none"> ▶ Endwerte-Bereich überprüfen.

11. Reinigung, Wartung und Reparatur

Reinigen

- ▶ Zur Reinigung der Membrane nur einen weichen Pinsel verwenden, keinen Hochdruckreiniger oder andere Werkzeuge.
- ▶ Sensor bei Bedarf reinigen, desinfizieren oder sterilisieren (CIP/SIP).

Reparatur

- Den Sensor nicht selbst reparieren.
- ▶ Beschädigten Sensor an Baumer senden.

Wartung

Eine regelmässige Wartung ist nicht erforderlich.

12. Entsorgung



- ▶ Nicht im Hausmüll entsorgen.
- ▶ Materialien trennen und entsprechend den national geltenden Vorschriften entsorgen.

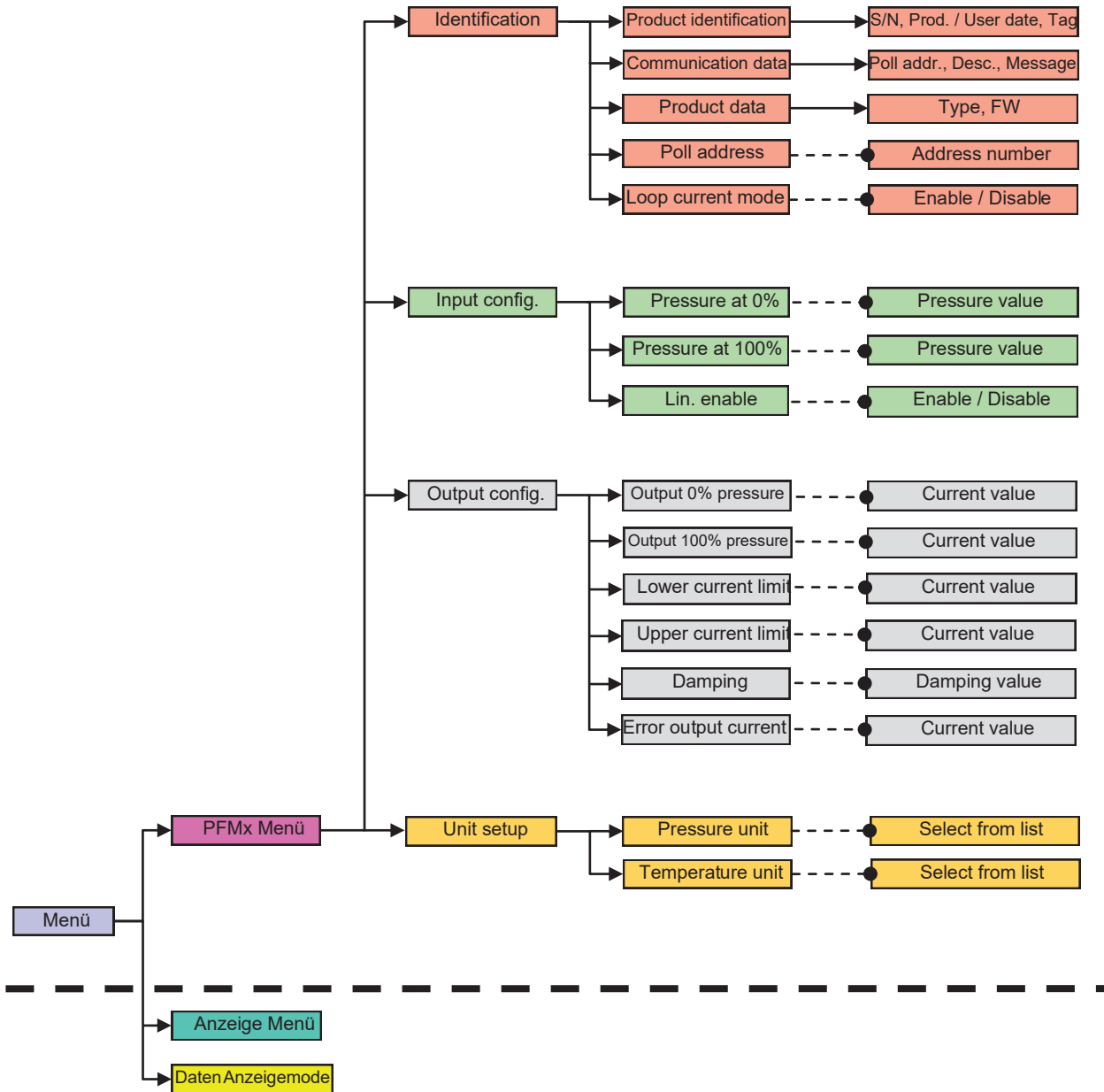
13. Zubehör

Für Montageteile und weiteres Zubehör siehe www.baumer.com.

14. Technische Daten

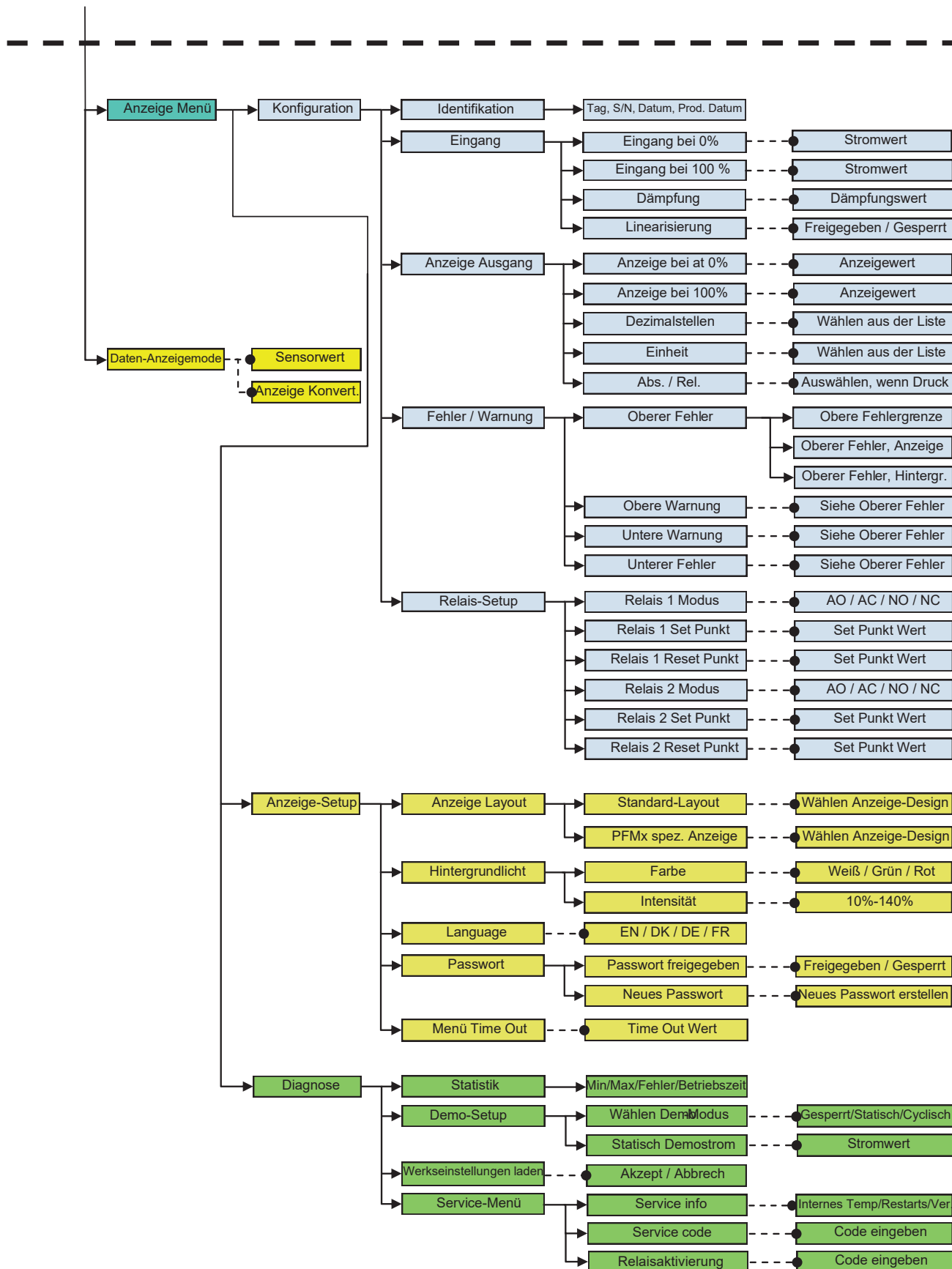
Umgebungsbedingungen		Speisung und Ausgangssignal					
Betriebstemperatur	-40 ... 85 °C	Betriebsspannungsbereich	10 ... 35 V DC				
Feuchtigkeit	< 98 % RH, kondensierend	Stromausgang	<ul style="list-style-type: none"> ■ 4 ... 20 mA ■ 20 ... 4 mA ■ 4 ... 20 mA + HART® 				
Schutzart	<ul style="list-style-type: none"> ■ IP67 ■ IP69K (mit einem geeigneten Kabel) 	Leistungsmerkmale					
Schwingungen (sinusförmig) (IEC 60068-2-6)	1,6 mm p-p (2 ... 25 Hz), 4 g (25 ... 100 Hz), 1 Oktave/min.	Genauigkeit (Linearität, Hysterese, Wiederholbarkeit)	<ul style="list-style-type: none"> ■ 0,1 % FS@20 °C bis 2:1 Turn-Down-Verhältnis ■ 0,25 % FS@20 °C bis 4:1 Turn-Down-Verhältnis 				
Prozessbedingungen		Temperaturdrift des Nullpunkts	≤ ±0,005 % FS/°C				
Prozesstemperatur	<ul style="list-style-type: none"> ■ Standardöl: -40 ... 125 °C (< 150 °C für < 60 min) ■ NSF H1 gelistetes Öl (FDA zugelassen): -5 ... 125 °C (< 150 °C für < 60 min) ■ Mit Kühlstrecke: 200 °C max. 	Temperaturdrift der Spanne	≤ ±0,005 % FS/°C				
		Langzeitdrift	0,1 % FS/Jahr				
		Anstiegszeit (10% ... 90%)	≤ 0,3 s				
		Abtastzeit	≤ 0,3 s				
		Hochlaufzeit	< 10 s				
		Max. Turn-Down-Verhältnis	10:1				
		Min. Messspanne	50 mbar				
Messbereiche und Überdruckfestigkeit							
Druckbereich, relativ [bar]	0 ... 0,345	-1 ... 1	-1 ... 5	-1 ... 20	-1 ... 34	-1 ... 68	-1 ... 400
Überlastgrenze	1	3	15	60	70	135	690
Berstdruck	2	6	30	120	140	270	1350
Druckbereich, absolut [bar]		0 ... 1	0 ... 5	0 ... 20	0 ... 34	0 ... 68	0 ... 400
Überlastgrenze		3	15	60	70	135	690
Berstdruck		6	30	120	140	270	1350

15. Konfigurationsübersicht



CombiPress™ PFMH/N

Voll verschweisster Drucksensor mit Touchscreen



Sommaire

1. Sécurité	31	8. Configuration	39
2. Structure et fonctionnement	32	9. Fonctionnement	40
3. Symboles	32	10. Dépannage	41
4. Transport et stockage	32	11. Nettoyage, maintenance et réparation	41
5. Montage	33	12. Elimination	41
6. Branchement électrique	35	13. Accessoires	41
7. Branchement électrique dans des zones à risques d'explosion	38	14. Caractéristiques techniques	42
		15. Vue d'ensemble de la configuration	43

1. Sécurité

Utilisation conforme

Le capteur sert à mesurer la pression des liquides et des gaz dans la plage de -40 à 200 °C.

Le capteur doit servir uniquement pour des médias auxquels le matériau du boîtier et la pointe du capteur sont résistants.

Qualification du personnel

N'employer que des collaborateurs formés pour effectuer ce type d'interventions. Cela vaut particulièrement pour le montage, l'installation, la configuration et le dépannage.

S'assurer que le personnel a lu et compris la présente notice.

Branchement électrique et CEM

Tous les câbles électriques doivent être conformes aux prescriptions locales et les connexions sont à effectuer en suivant les schémas de câblage.

UL-Conformité

Pour une utilisation conforme au marquage UL, l'appareil doit être connecté au SELV et à des circuits de puissance limité en conformité avec à la réglementation UL61010-1 3 et avec un câble de type CYJV/7, CYJV2/8, PVVA/7, PVVA2/8 ou AVLV2/8 adapté à l'application.

Etat technique

N'utiliser le capteur que s'il se trouve dans un parfait état technique.

Utiliser exclusivement des accessoires Baumer. Baumer ne pourra être tenu responsable en cas d'utilisation d'accessoires d'autres marques.

Fonctionnement

L'alimentation en courant et les conditions environnementales doivent être conformes aux spécifications de l'appareil.

Avant d'allumer et d'éteindre l'appareil, vérifier les éventuels effets sur d'autres appareils et sur le déroulement du processus.

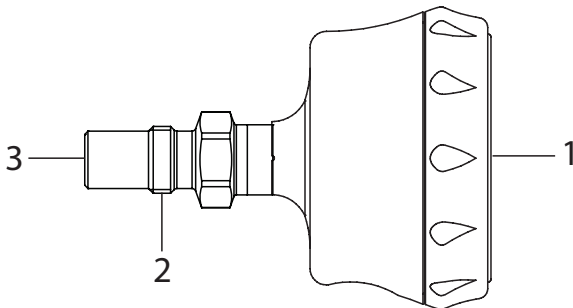
Risque de brûlure avec les médias chauds

Le boîtier du capteur peut chauffer au-delà de 50 °C en fonctionnement. Lorsque les médias sont chauds, prévoir une protection contre les brûlures.

CombiPress™ PFMH/N

Transmetteur de pression intégralement soudé avec
écran tactile

2. Structure et fonctionnement




- 1 Écran DFON
- 2 Filetage pour le montage du PFMH/N
- 3 Membrane affleurante

Le PFMH/N est un convertisseur de mesure de pression programmable haut de gamme pour les applications industrielles et hygiéniques. Le capteur mesure la pression de tous les agents de process gazeux et liquides, à travers une membrane affleurante. La mesure de pression relative est possible du vide à 400 bars, la mesure de pression absolue de 0 à 400 bars. La programmation peut se faire via l'écran tactile ou via le FlexProgrammer 9701. En fonctionnement, des informations sur les valeurs de mesure, les alarmes et d'autres données s'affichent à l'écran.

3. Symboles

3.1 Symboles dans les avertissements

Symbole	Mot de signalisation	Explication
	DANGER	Situations entraînant la mort ou des blessures graves.
	AVERTISSEMENT	Situations pouvant entraîner la mort ou des blessures graves.
	PRUDENCE	Situations pouvant entraîner des blessures légères à modérées.
	ATTENTION	Dommages matériels

3.2 Approbation



Le certificat EHEDG est valable uniquement en combinaison avec les composants correspondants.



Les exigences de la norme 3-A Sanitary Standard sont remplies uniquement avec les composants correspondants. Ceux-ci sont repérés avec le logo 3-A.



Lors du montage conforme aux spécifications, homologué pour les zones à risques d'explosions.

4. Transport et stockage

- ▶ Contrôler l'état de l'emballage et du capteur.
- ▶ En cas de dommage : Ne pas utiliser le capteur.
- ▶ Pendant le transport et le stockage, toujours doter le capteur du capuchon.
- ▶ Toujours conserver le capteur dans un lieu à l'abri des chocs.
Plage de température de stockage :
-40 ... +85 °C
Humidité relative : < 98 %

5. Montage

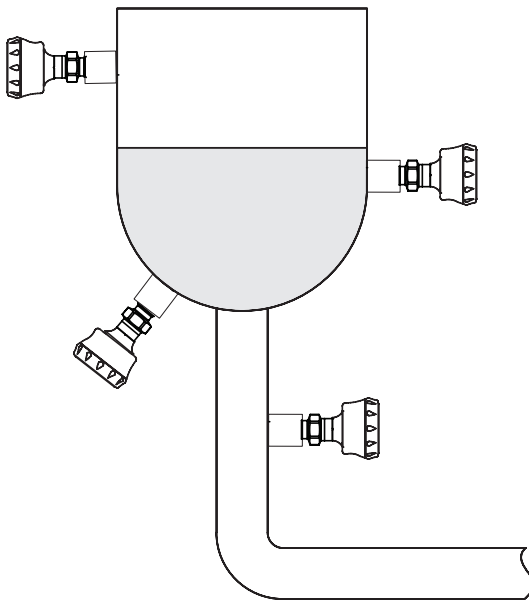
5.1 Conditions de montage



ATTENTION

Dompage mécanique de la membrane

- ▶ Ne pas toucher la membrane.
- ▶ Après utilisation, toujours équiper le capteur du capuchon.



Le capteur peut être installé sur n'importe quel point du récipient ou de la canalisation.

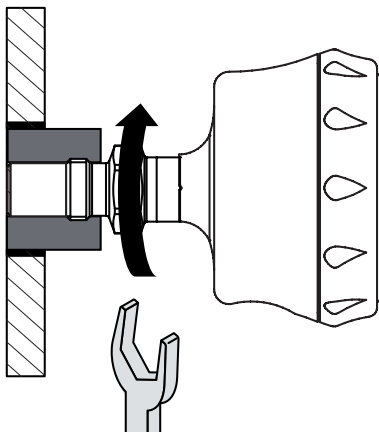
5.2 Montage du PFMN



DANGER

Risque de blessure par un média dangereux

- ▶ Porter un équipement de protection contre les substances dangereuses (solutions acides ou alcalines, etc.).
- ▶ Vider le récipient et la tuyauterie avant le montage.



- ✓ Le récipient et la tuyauterie sont vides de médias.
- ▶ Lors du montage d'un raccord NPT, étanchéifier le raccord avec une bande de Téflon (PTFE).
- ▶ Visser le capteur.
Couple de serrage :
 - G 1/2 A hygiénique : max. 20 Nm
 - G 1 A hygiénique : max. 20 Nm
 - G 1/2 A DIN 3852-E : max. 30 Nm
 - 1/2-14 NPT : max. 20 Nm

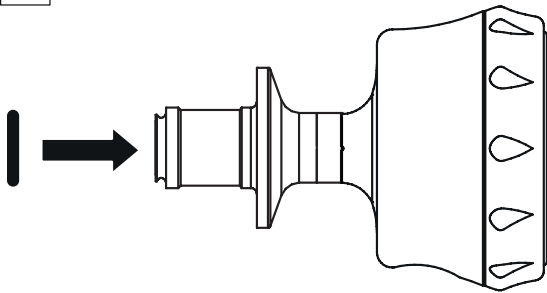
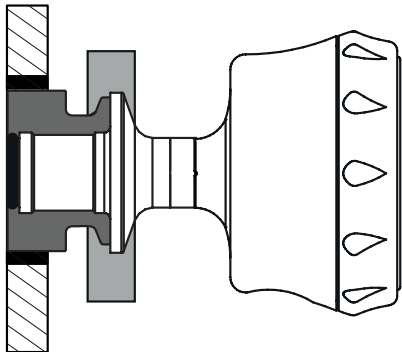
5.3 Montage du PFMH



DANGER

Risque de blessure par un média dangereux

- ▶ Utiliser exclusivement des manchons à souder ou adaptateurs Baumer.
- ▶ Porter un équipement de protection contre les substances dangereuses (solutions acides ou alcalines, etc.).
- ▶ Ne pas étanchéifier les raccords process avec du ruban Téflon ou de l'élastomère.
- ▶ Vider le récipient et la tuyauterie avant le montage.

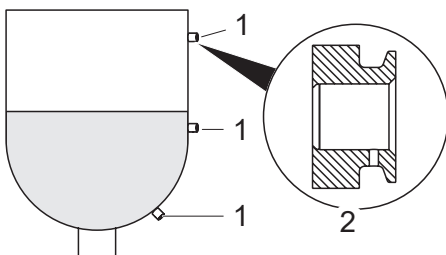
1

2


✓ L'ouverture de montage du capteur est facilement accessible

- ▶ Monter le manchon à souder ou l'adaptateur comme suit :
 - Le repère 3-A ou la flèche est orienté(e) vers le haut
 - Alésage de fuite orienté vers le bas
 - Orientation intérieure affleurante
- ▶ Lisser le cordon de soudure à $Ra \leq 0,8 \mu m$.
- ▶ Retirer le capuchon de la membrane.
- ▶ Enfoncer la bague d'étanchéité (1).
- ▶ Monter le capteur et serrer l'attache de fermeture (2).

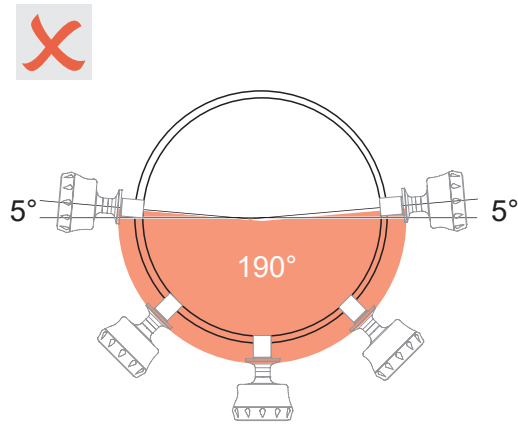
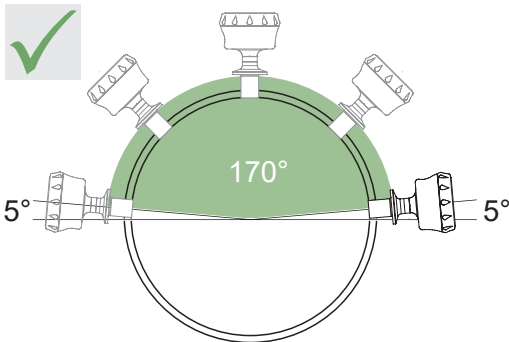
- ▶ Contrôler l'étanchéité du manchon.
- ▶ Contrôler l'étanchéité du raccord vissé de câble u de la fiche M12.
- ▶ Vérifier que le couvercle du boîtier est fermement vissé.

Exemple de montage avec manchon à souder ZPW2-621



- 1 ZPW2-621 (BHC 3A DN38)
- 2 Alésage de fuite

Exemple de montage avec manchon à souder ZPW2-626



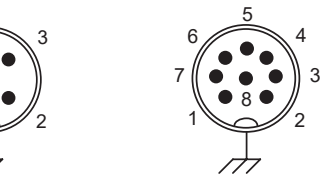
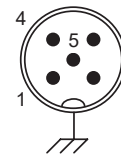
6. Branchement électrique

6.1 Raccords externes

- ✓ Une alimentation en tension de 10 à 35 V CC est disponible (avec l'écran DFON au moins 14,5 V CC ou 16,5 V CC, en fonction de l'intensité du rétroéclairage)
- ▶ Couper la tension de service.
- ▶ Raccorder le capteur conformément à l'affectation des broches.

M12, 5 broches

M12, 8 broches



Version de connecteur	Broche	Fonctionnement
M12, 5 broches	1	Alimentation électrique +, 4 ... 20 mA
	2	Raccord commun pour les relais 11, 21
	3	Alimentation électrique -, 4 ... 20 mA
	4	Relais 22
	5	Relais 12
M12, 8 broches	1	non relié
	2	Alimentation électrique +, 4 ... 20 mA
	3	Relais 21
	4	Relais 22
	5	Relais 11
	6	Relais 12
	7	Alimentation électrique -, 4 ... 20 mA
	8	non relié

En l'absence d'alimentation commune aux deux relais, une fiche M12 à 8 broches est nécessaire.

CombiPress™ PFMH/N

Transmetteur de pression intégralement soudé avec
écran tactile

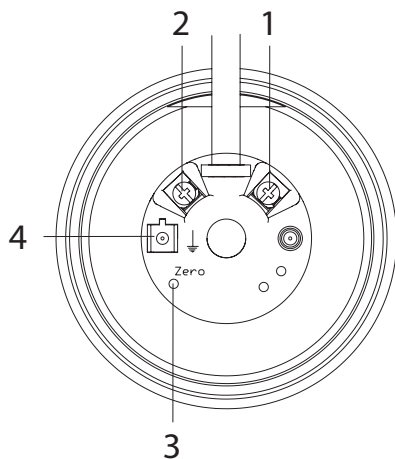
Branchement électrique avec raccord vissé de câble

- ✓ Le capteur est monté
- ▶ Visser le presse-étoupe.
Couple de serrage : 4 Nm

Version de presse-étoupe	Diamètre du câble
M16 plastique	5 ... 10 mm
M16 acier inoxydable	5 ... 9 mm
M20 plastique	8 ... 13 mm
M20 acier inoxydable	9 ... 13 mm

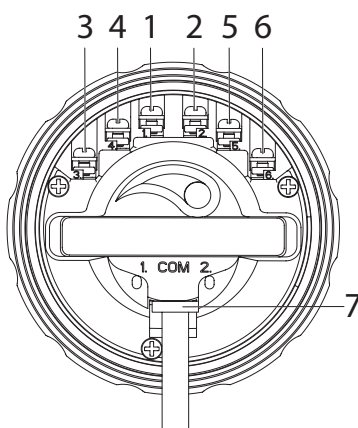
6.2 Raccords internes

Convertisseur de mesure PFMH/N



- 1 Alimentation électrique –, 4 ... 20 mA
- 2 Alimentation électrique +, 4 ... 20 mA
- 3 Réglage du point zéro
- 4 Raccord de mise à la terre

Écran DFON



- 1 Non relié
- 2 Non relié
- 3 Relais 21
- 4 Relais 22
- 5 Relais 11
- 6 Relais 12
- 7 UnitCom (câble à ruban plat)

6.3 Montage de l'écran DFON



ATTENTION

Endommagement du couvercle et du joint avant

- ▶ Ne pas utiliser d'outil pour fixer le couvercle avant et la bague filetée.

- ▶ Dévisser le couvercle avant.
- ▶ Déposer le joint torique du joint d'étanchéité.
- ▶ Raccorder sur le DFON le câble à ruban plat interne UnitCom, conformément à l'affectation des broches.
- ▶ Serrer la bague filetée à la main.

6.4 Raccordement du FlexProgrammer

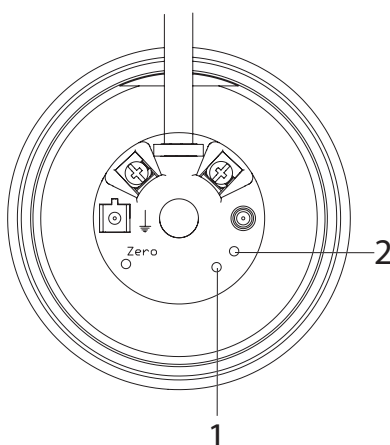
Raccordement à l'écran DFON



- 1 Com 1
- 2 Com 2

- ▶ Dévisser le couvercle avant pour ouvrir le boîtier.
- ▶ Raccorder la borne rouge sur Com 1.
- ▶ Raccorder la borne noire sur Com 2.

Raccordement au convertisseur de mesure PFMH/N



- 1 Com 1
- 2 Com 2

- ▶ Dévisser le couvercle avant pour ouvrir le boîtier.
- ▶ Raccorder la borne rouge sur Com 1.
- ▶ Raccorder la borne noire sur Com 2.

7. Branchement électrique dans des zones à risques d'explosion



DANGER

Danger de mort en raison d'un capteur mal raccordé

La protection correcte contre les gaz et la poussière est obtenue uniquement quand toutes les exigences d'installation sont remplies.

- ▶ Assurez-vous de remplir toutes les exigences et que le capteur et l'installation disposent d'une homologation pour l'atmosphère explosible spécifique.
- ▶ L'installation doit être effectuée uniquement par des techniciens formés à la protection contre les explosions.
- ▶ Ne jamais utiliser le FlexProgrammer dans des zones explosibles.

7.1 Atmosphères gazeuses/poussiéreuses explosibles Zones 0, 1 et 2/Zones 20, 21 et 22

Le PFMH et le PFMN conviennent à l'utilisation dans les zones explosibles Zones 0, 1, 2, 20, 21 et 22. Installer des capteurs à barrière Zener.

Homologation pour : PFMx-xx.xxxx.xxxxx.xxxxx.x5xx Ex ia IIC T5 Ga et Ex ia IIIC T100°C Da

Tous les PFMH/N ont la protection Sécurité intrinsèque ia.

- ▶ Utiliser des barrières Zener.
- ▶ Respecter les températures, valeurs de raccordement et schémas de câblage suivants.
- ▶ Utiliser une barrière Zener par relais quand des relais sont activés.

ATEX II 1G Ex ia IIC T5 Ga

ATEX II 1D Ex ia IIIC T100 °C Da

Valeurs limites

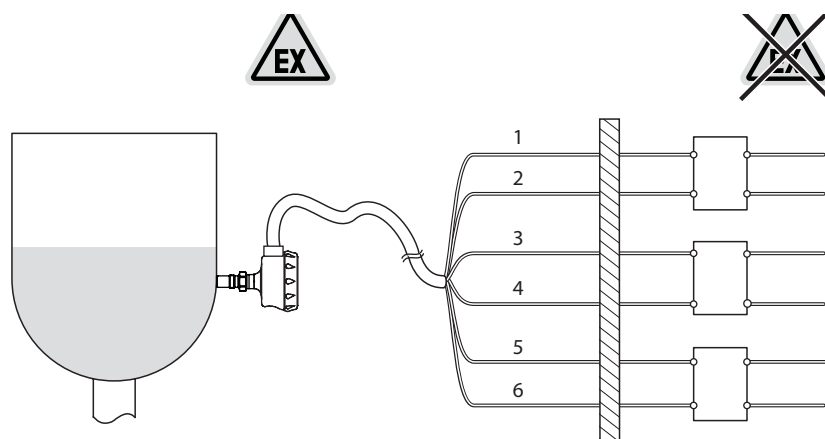
■ Boucle de courant (+Vs, Iout) :	Ui : 30 V DC Ii : 100 mA Pi : 0,75 W Ci : 40 nF Li : 10 µH
-----------------------------------	--

■ Sorties de relais :	Ui : 30 V DC Ii : 75 mA Pi : 0,75 W Ci : 10 nF Li : 10 µH
-----------------------	---

Catégorie de température	T1...T5:
■ Zone 0 et 20	-20 < Tamb < 60 °C
■ Autres zones	-40 < Tamb < 65 °C

Fonction- Broche nement

+Vs	1
Iout	2
Relais 21	3
Relais 22	4
Relais 11	5
Relais 12	6



7.2 Atmosphères gazeuses explosibles Zone 2

Le PFMH et le PFMN conviennent à l'utilisation dans les zones explosibles Zone 2 sans barrière Zener.

Homologation pour PFMx-xx.xxxx.xxxxx.xxxxx.x3xx : Ex ec II T5

Tous les PFMN/H ont la protection ec.

- ▶ Respecter les températures et valeurs de raccordement suivantes.

ATEX II 3G Ex ec II T5

Plage d'alimentation	Un: 35 V DC max. In: 100 mA max.
Catégorie de température	T1 ... T5 :
<ul style="list-style-type: none"> ■ avec écran ■ sans écran 	<ul style="list-style-type: none"> –30 < Tamb < 65 °C –40 < Tamb < 85 °C

8. Configuration

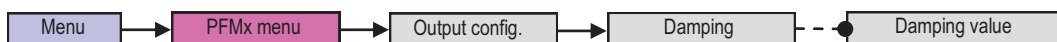
8.1 Configuration via l'écran tactile

Programmation du CombiView, type DFON

- ▶ Tapoter sur l'écran et maintenir jusqu'à l'apparition de l'interface de menu.
- ▶ Tapoter sur Menu pour démarrer la configuration.

Exemples

- ▶ Configuration d'une valeur d'amortissement.



- ▶ Configuration de l'unité de pression.



- ▶ Autres réglages possibles :

- Entrée et sorties d'écran
- Relais
- Affichage des avertissements et des erreurs
- Mise en page de l'écran
- Rétroéclairage
- Couleur
- Langue

8.2 Point zéro

Pression relative

- ▶ Régler le point de pression zéro sur la pression atmosphérique ou le niveau de pression dans le réservoir sélectionné.

Pression absolue

- ▶ Régler le point de pression zéro en dessous de 1 mbar.

Réinitialisation au réglage d'usine

- ▶ Sélectionner les réglages d'usine avec le FlexProgrammer.

Pour obtenir des résultats optimaux, effectuer le réglage du point zéro après le montage.

Réglage du point zéro

- ✓ Le convertisseur de mesure de pression et la plage d'installation ont la même température
- ✓ Le point de pression zéro est réglé
 - ▶ Maintenir enfoncée la touche du point zéro jusqu'à ce que la LED clignote rapidement. Alternativement, le FlexProgrammer ou le configurateur HART peut être utilisé.

CombiPress™ PFMH/N

Transmetteur de pression intégralement soudé avec
écran tactile

8.3 Configuration via le FlexProgrammer



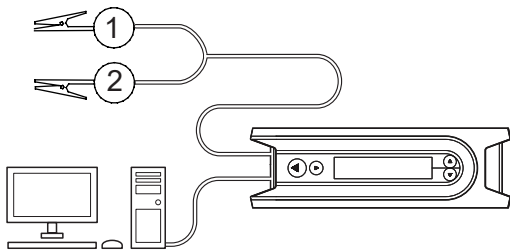
DANGER

Le FlexProgrammer n'est pas homologué ATEX pour l'utilisation dans les atmosphères explosibles.

- ▶ Ne jamais utiliser le FlexProgrammer dans des zones explosibles.

Configuration avec le FlexProgrammer et un PC

- ▶ Dévisser le couvercle avant/l'écran DFON du PFMH/N.
- ▶ Raccorder le FlexProgrammer au capteur.
- ▶ Raccorder le FlexProgrammer au PC et définir les paramètres (voir la notice du FlexProgrammer).



Configuration dans une atmosphère explosible

- ✓ L'alimentation électrique est coupée
- ▶ Débrancher le PFMH/N du circuit.
- ▶ Déposer le PFMH/N et l'amener dans une zone sûre (hors de l'atmosphère explosible).
- ▶ Effectuer la configuration.

Options

- Unité de pression/Température
- Plage de pression
- Valeurs limites d'intensité
- Amortissement
- Saisie des données
- Réglage sur un ou deux points
- Mise à zéro automatique
- Réinitialisation au réglage d'usine

9. Fonctionnement

Représentations à l'écran



Digitale

- petite avec les détails
- grande

Mode spécifique au produit

- Pression et température



Diagramme en barre

- barre horizontale
- barre verticale
- courbe de temps



Analogique

- analogique
- avec diagramme en barre
- avec valeur



Réservoir

- illustration du récipient
- illustration de la bouteille

10. Dépannage

Panne	Cause	Mesure
L'écran est éteint et les signaux du convertisseur de mesure ne sont pas transmis	Capteur mal relié	▶ Contrôler la fiche et l'alimentation électrique.
	Défaut de l'appareil	▶ Déposer le capteur et l'envoyer à Baumer.
L'écran est allumé, mais les signaux du convertisseur de mesure ne sont pas transmis	Court-circuit	▶ Éliminer le court-circuit.
L'écran est éteint, mais des signaux du convertisseur de mesure sont transmis	Le câble UnitCom n'est pas relié	▶ Relier l'écran et le convertisseur de mesure avec le câble UnitCom.
L'écran n'affiche pas les bonnes valeurs	Plage de pression inadaptée	▶ Vérifier la plage des valeurs d'extrémités.

11. Nettoyage, maintenance et réparation

Nettoyage

- ▶ Pour nettoyer la membrane, utiliser uniquement un pinceau doux, pas de nettoyeur à haute pression ou d'autres outils.
- ▶ Nettoyer, désinfecter ou stériliser le capteur si besoin (CIP/SIP).

Maintenance

Une maintenance régulière n'est pas nécessaire.

Réparation

Ne pas réparer soi-même le capteur.

- ▶ Envoyer le capteur endommagé à Baumer.

12. Élimination



- ▶ Ne pas jeter avec les ordures ménagères.
- ▶ Trier les matériaux et les éliminer en fonction de la réglementation en vigueur.

13. Accessoires

Pour les pièces détachées et d'autres accessoires, consulter www.baumer.com.

CombiPress™ PFMH/N

Transmetteur de pression intégralement soudé avec
écran tactile

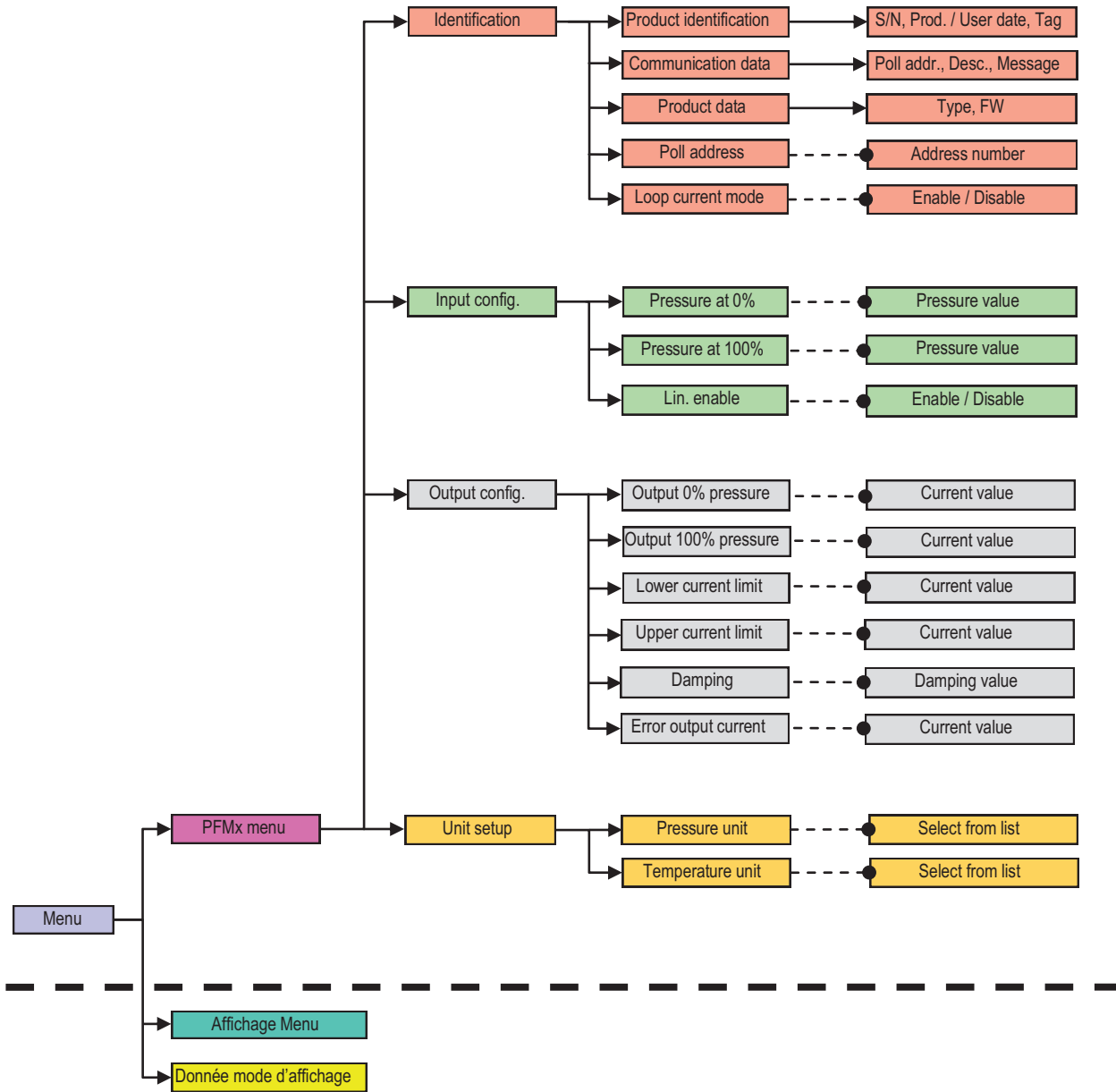
14. Caractéristiques techniques

Conditions environnementales		Alimentation et signal de sortie	
Température de service	-40 ... 85 °C	Plage de tension de service	10 ... 35 V DC
Humidité	< 98 % HR, avec condensation	Sortie du courant	<ul style="list-style-type: none"> ■ 4 ... 20 mA ■ 20 ... 4 mA ■ 4 ... 20 mA + HART®
Indice de protection	<ul style="list-style-type: none"> ■ IP67 ■ IP69K (avec un câble adapté) 	Caractéristiques de performance	
Ondulations (sinusoïdales) (IEC 60068-2-6)	1,6 mm p-p (2 ... 25 Hz), 4 g (25 ... 100 Hz), 1 octave/min.	Précision (linéarité, hystérésis, reproductibilité)	<ul style="list-style-type: none"> ■ 0,1 % FS à 20 °C jusqu'à 2:1 rapport Turn-Down ■ 0,25 % FS à 20 °C jusqu'à 4:1 rapport Turn-Down
Conditions de process		Dérive de température du point zéro	≤ ±0,005 % FS/°C
Température de process	<ul style="list-style-type: none"> ■ Huile standard : -40 ... 125 °C (< 150 °C pendant < 60 min) ■ Huile répertoriée NSF H1 (autorisée par la FDA) : -5 ... 125 °C (< 150 °C pendant < 60 min) ■ Avec col de refroidissement : 200 °C max. 	Dérive de température de la fourchette	≤ ±0,005 % FS/°C
		Dérive à long terme	0,1 % FS/an
		Temps de montée (10% ... 90%)	≤ 0,3 s
		Temps de balayage	≤ 0,3 s
		Temps de démarrage	< 10 s
		Rapport Turn-Down maxi	10:1
		Fourchette de mesure min.	50 mbar

Plages de mesure et résistance à la surpression

Plage de pression, relative [bar]	0 ... 0,345	-1 ... 1	-1 ... 5	-1 ... 20	-1 ... 34	-1 ... 68	-1 ... 400
Limite de surcharge	1	3	15	60	70	135	690
Pression d'éclatement	2	6	30	120	140	270	1350
Plage de pression, absolue [bar]	0 ... 1	0 ... 5	0 ... 20	0 ... 34	0 ... 68	0 ... 400	
Limite de surcharge	3	15	60	70	135	690	
Pression d'éclatement	6	30	120	140	270	1350	

15. Vue d'ensemble de la configuration



Pressure measurement

CombiPress™ PFMH/N

Fully welded pressure transmitter with touch screen

*CombiPress*TM PFMH/N

Fully welded pressure transmitter with touch screen

Pressure measurement

CombiPress™ PFMH/N

Fully welded pressure transmitter with touch screen

 **Baumer**
Passion for Sensors

Baumer A/S

Runetoften 19
8210 Aarhus V
Denmark

Phone: +45 8931 7611
Fax: +45 8931 7610
Mail: sales.cc-lct@baumer.com