

## OHDK 14N5101/S35A

Diffuse sensors with background suppression - standard

Article number: 11001251

### Overview

- background suppression
- 20 ... 350 mm
- pulsed red laser diode
- NPN
- mechanical, 9 turn
- connector M8 4 pin
- -10 ... 50 °C
- IP 67



Picture similar



### Technical data

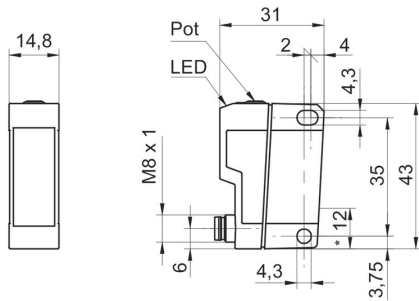
General data		Electrical data	
Type	Background suppression	Current consumption typ.	25 mA
Light source	Pulsed red laser diode	Voltage drop Vd	< 2.2 VDC
Sensing distance Tw	20 ... 350 mm	Output function	Light / dark operate
Sensing range Tb (at Tw max.)	20 ... 350 mm	Output circuit	NPN
Sensing range Tb (at Tw min.)	5 ... 20 mm	Output current	< 100 mA
Repeat accuracy	< 0.2 mm at laser focus	Short circuit protection	Yes
Power on indication	LED green	Reverse polarity protection	Yes
Light indicator	LED yellow	Mechanical data	
Sensing distance adjustment	Mechanical, 9 turn	Width / diameter	14.8 mm
Laser class	2	Height / length	43 mm
Distance to focus	115 mm	Depth	31 mm
Wave length	650 nm	Type	Rectangular
Electrical data		Housing material	Plastic (ASA, MABS)
Response time / release time	< 0.5 ms	Front (optics)	PMMA
Voltage supply range +Vs	10 ... 30 VDC	Connection types	Connector M8 4 pin
Current consumption max. (no load)	35 mA	Ambient conditions	
		Protection class	IP 67
		Operating temperature	-10 ... +50 °C

# OHDK 14N5101/S35A

Diffuse sensors with background suppression - standard


Article number: 11001251

## Dimension drawing



▪ \* emitter axis

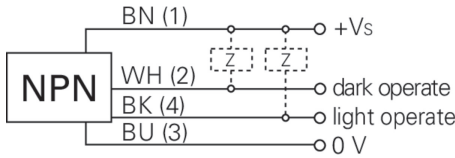
## Laser warning



**LASER RADIATION**  
**DO NOT STARE INTO BEAM**  
Wavelength: 640...670nm  
IEC 60825-1, Ed. 3, 2014  
**CLASS 2 LASER PRODUCT**

IEC 60825-1/2014 Complies with 21 CFR 1040.10 and 1040.11 except for conformance with IEC 60825-1 Ed. 3., as described in Laser Notice No. 56, dated May 8, 2019

## Connection diagram



## Beam characteristic (typically)

