

Overview

- emitter
- through beam laser sensor
- 8 m
- pulsed red laser diode
- connector M12 4 pin
- 10 ... 50 °C
- IP 67



Picture similar



Technical data

General data

Type	Through beam laser sensor
Emitter / receiver	Emitter
Light source	Pulsed red laser diode
Actual range Sb	8 m
Nominal range Sn	10 m
Power on indication	LED green
Laser class	1
Distance to focus	Parallel beam
Wave length	650 nm

Electrical data

Voltage supply range +Vs	10 ... 30 VDC
Current consumption max. (no load)	35 mA

Electrical data

Current consumption typ.	25 mA
Reverse polarity protection	Yes

Mechanical data

Width / diameter	14.8 mm
Height / length	43 mm
Depth	31 mm
Type	Rectangular
Housing material	Plastic (ASA, MABS)
Front (optics)	PMMA
Connection types	Connector M12 4 pin

Ambient conditions

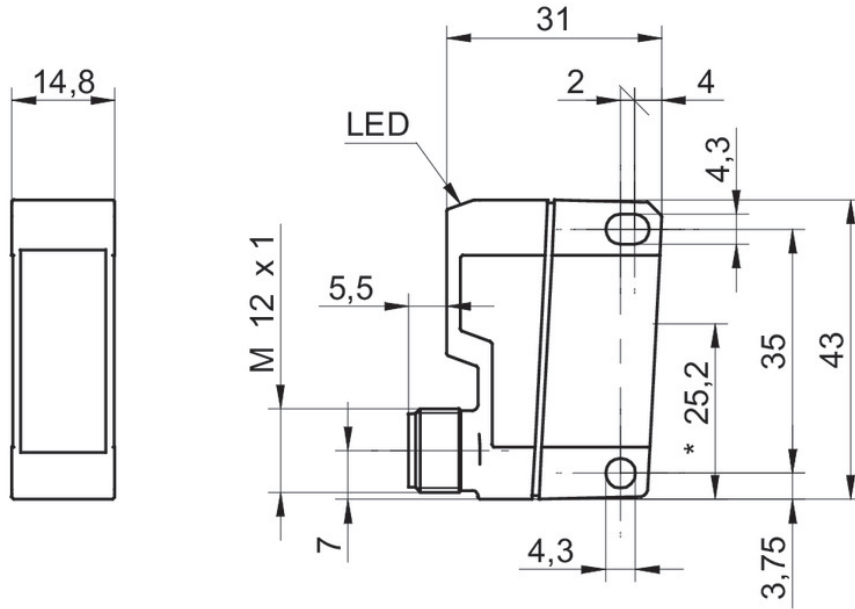
Operating temperature	10 ... +50 °C
Protection class	IP 67

OSDK 14D9001/S14

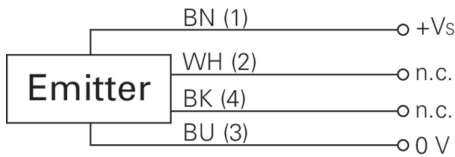
Through beam sensors - standard

Article number: 11003293

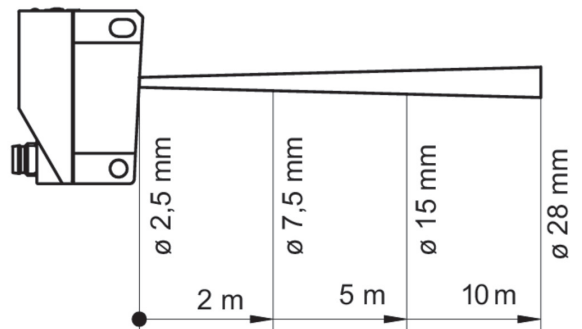
Technical drawings



Connection diagram



Beam characteristic (typically)



Laser warning

**CLASS 1 LASER
PRODUCT**

IEC 60825-1/2014
Complies with 21 CFR 1040.10 and
1040.11 except for conformance with
IEC 60825-1 Ed. 3., as described in
Laser Notice No. 56, dated May 8, 2019