

Overview

- receiver
- through beam sensor
- 12 m
- PNP
- no
- connector M8 4 pin
- -25 ... 65 °C
- IP 67



Picture similar



Technical data

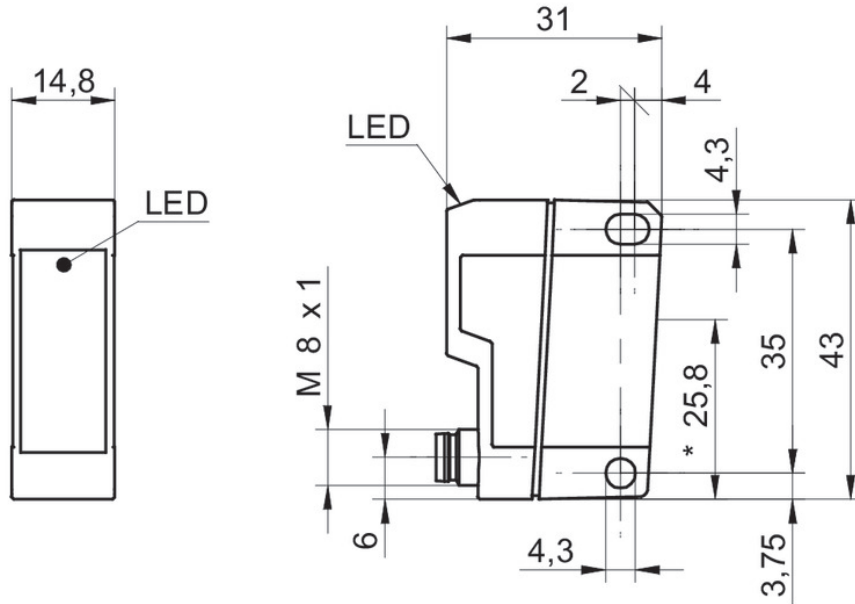
General data		Electrical data	
Type	Through beam sensor	Output function	Light / dark operate
Emitter / receiver	Receiver	Output circuit	PNP
Actual range Sb	12 m	Output current	< 100 mA
Nominal range Sn	15 m	Short circuit protection	Yes
Alignment / soiled lens indicator	Flashing light indicator	Reverse polarity protection	Yes
Light indicator	LED yellow	Mechanical data	
Sensitivity adjustment	No	Width / diameter	14.8 mm
Electrical data		Height / length	43 mm
Response time / release time	< 1.2 ms	Depth	31 mm
Voltage supply range +Vs	10 ... 30 VDC	Type	Rectangular
Current consumption max. (no load)	20 mA	Housing material	Plastic (ASA, MABS)
Current consumption typ.	20 mA	Front (optics)	PMMA
Voltage drop Vd	< 1.8 VDC	Connection types	Connector M8 4 pin
		Ambient conditions	
		Operating temperature	-25 ... +65 °C
		Protection class	IP 67

FEDK 14P5101/S35A

Through beam sensors - standard

Article number: 11001030

Technical drawings



Connection diagram

