

## Overview

- receiver
- through beam sensor
- 12 m
- NPN
- no
- cable 4 pin, 2 m
- -25 ... 65 °C
- IP 67



Picture similar



## Technical data

### General data

|                                   |                          |
|-----------------------------------|--------------------------|
| Type                              | Through beam sensor      |
| Emitter / receiver                | Receiver                 |
| Actual range Sb                   | 12 m                     |
| Nominal range Sn                  | 15 m                     |
| Alignment / soiled lens indicator | Flashing light indicator |
| Light indicator                   | LED yellow               |
| Sensitivity adjustment            | No                       |

### Electrical data

|                                    |               |
|------------------------------------|---------------|
| Response time / release time       | < 1.2 ms      |
| Voltage supply range +Vs           | 10 ... 30 VDC |
| Current consumption max. (no load) | 20 mA         |
| Current consumption typ.           | 20 mA         |
| Voltage drop Vd                    | < 1.8 VDC     |

### Electrical data

|                             |                      |
|-----------------------------|----------------------|
| Output function             | Light / dark operate |
| Output circuit              | NPN                  |
| Output current              | < 100 mA             |
| Short circuit protection    | Yes                  |
| Reverse polarity protection | Yes                  |

### Mechanical data

|                  |                     |
|------------------|---------------------|
| Width / diameter | 14.8 mm             |
| Height / length  | 43 mm               |
| Depth            | 31 mm               |
| Type             | Rectangular         |
| Housing material | Plastic (ASA, MABS) |
| Front (optics)   | PMMA                |
| Connection types | Cable 4 pin, 2 m    |

### Ambient conditions

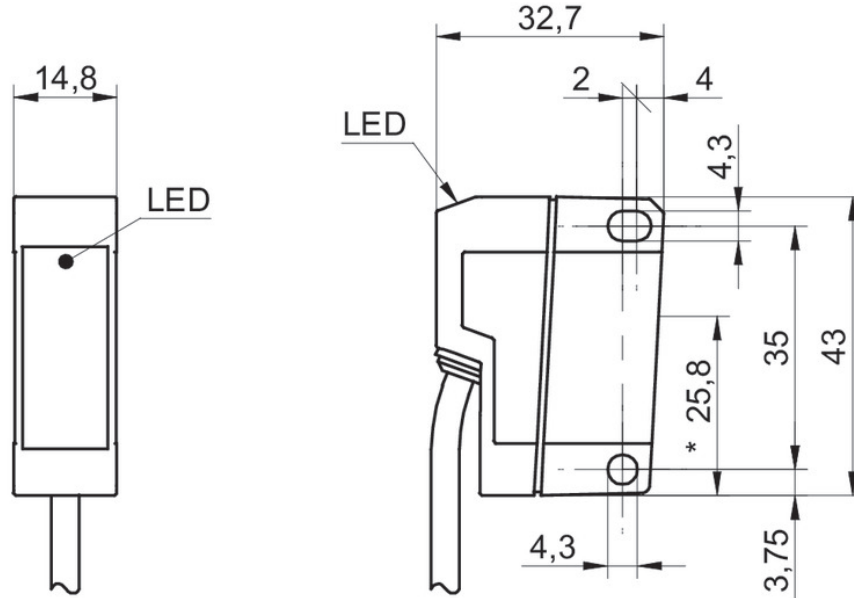
|                       |                |
|-----------------------|----------------|
| Operating temperature | -25 ... +65 °C |
| Protection class      | IP 67          |

# FEDK 14N5101

Through beam sensors - standard

Article number: 11001011

## Technical drawings



## Connection diagram

