

Overview

- 2 mm
- NPN make function (NO)
- cable, 2 m
- -25 ... 75 °C
- IP 67



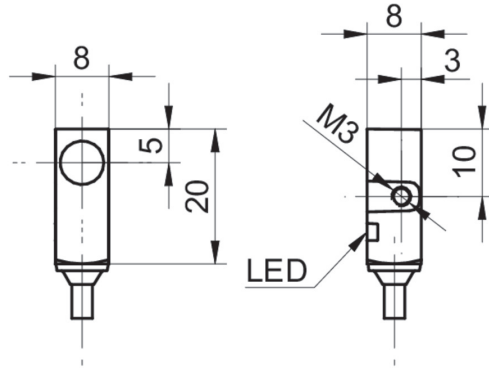
Picture similar



Technical data

General data		Electrical data	
Mounting type	Flush	Short circuit protection	Yes
Nominal sensing distance S _n	2 mm	Reverse polarity protection	Yes
Hysteresis	3 ... 20 % of S _r	Mechanical data	
Output indicator	LED red	Type	Rectangular
Electrical data		Material (sensing face)	PBT
Switching frequency	5 kHz	Housing material	Die-cast zinc nickel plated
Voltage supply range +V _s	6 ... 36 VDC	Dimension	8 mm
Current consumption max. (no load)	12 mA	Housing length	20 mm
Output circuit	NPN make function (NO)	Connection types	Cable, L=2 m
Voltage drop V _d	< 2 VDC	Ambient conditions	
Output current	< 200 mA	Operating temperature	-25 ... +75 °C
		Protection class	IP 67

Dimension drawing



Connection diagram

