

**Overview**

- 18 mm
- PNP complementary (NO / NC)
- cable, 2 m
- -25 ... 75 °C
- IP 67



Picture similar



**Technical data**

**General data**

|                             |   |
|-----------------------------|---|
| Mounting type               | Flush   |
| Special type                | Enhanced distance (GammaProx)                         |
| Nominal sensing distance Sn | 18 mm   |
| Temperature drift           | ± 10 %  |
| Hysteresis                  | 3 ... 20 % of Sr                                      |
| Output indicator            | LED red   |
| Correction factor typ.      | Mild steel 100 %, stainless steel 70 %, aluminum 40 % |

**Electrical data**

|                                    |                             |
|------------------------------------|-----------------------------|
| Switching frequency                | 500 Hz                      |
| Voltage supply range +Vs           | 6 ... 36 VDC                |
| Current consumption max. (no load) | 10 mA                       |
| Output circuit                     | PNP complementary (NO / NC) |

**Electrical data**

|                             |          |
|-----------------------------|----------|
| Voltage drop Vd             | < 2 VDC  |
| Output current              | < 200 mA |
| Short circuit protection    | Yes      |
| Reverse polarity protection | Yes      |

**Mechanical data**

|                         |                      |
|-------------------------|----------------------|
| Type                    | Cylindrical threaded |
| Material (sensing face) | PBT                  |
| Housing material        | Brass nickel plated  |
| Dimension               | 30 mm                |
| Housing length          | 50 mm                |
| Connection types        | Cable, L=2 m         |
| Tightening torque max.  | 140 Nm               |

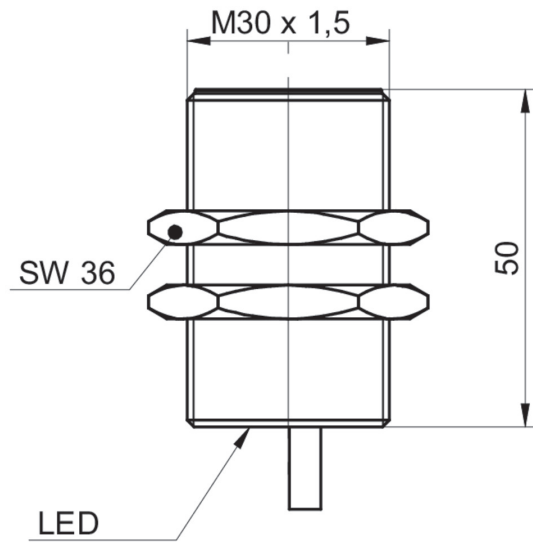
**Ambient conditions**

|                       |                |
|-----------------------|----------------|
| Operating temperature | -25 ... +75 °C |
| Protection class      | IP 67          |

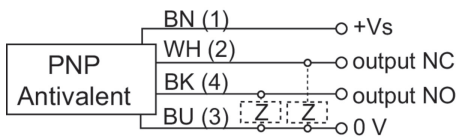
**Remarks**

- Increased sensing distance
- Complementary output

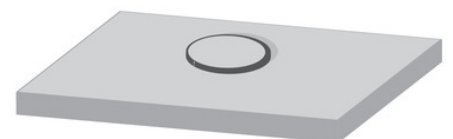
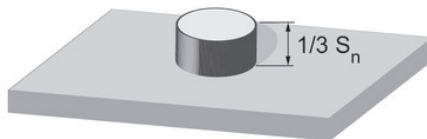
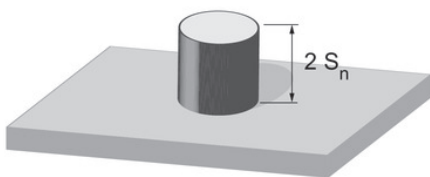
**Dimension drawing**



**Connection diagram**



**Correction factors for different mounting situation (approx.)**



| Mounting material | Correction factor |
|-------------------|-------------------|
| Mild steel        | 100 %             |
| Stainless steel   | 100 %             |
| Aluminum          | 100 %             |

| Mounting material | Correction factor |
|-------------------|-------------------|
| Mild steel        | 105 %             |
| Stainless steel   | 105 %             |
| Aluminum          | 100 %             |

| Mounting material | Correction factor |
|-------------------|-------------------|
| Mild steel        | not possible      |
| Stainless steel   | not possible      |
| Aluminum          | 75 %              |

**Mounting instructions**

