

OPDK 14P3902

Retro-reflective sensors - for longer ranges

Article number: 11001309

Overview

- retro-reflective laser sensor
- 4,5 m
- pulsed red laser diode
- PNP
- Teach-in
- cable 4 pin, 2 m
- -10 ... 50 °C
- IP 67



Picture similar



Technical data

General data

| | |
|------------------------|---|
| Type | Retro-reflective laser sensor |
| Version | Transparency object detection Single lens optics |
| Light source | Pulsed red laser diode |
| Actual range Sb | 4.5 m |
| Nominal range Sn | 5.2 m |
| Repeat accuracy | 0.1 mm at laser focus |
| Polarization filter | Yes |
| Light indicator | LED yellow |
| Power on indication | LED green |
| Sensitivity adjustment | Teach-in |
| Laser class | 1 |
| Distance to focus | 100 mm |
| Wave length | 650 nm |

Electrical data

| | |
|------------------------------------|---------------|
| Response time / release time | < 0.25 ms |
| Voltage supply range +Vs | 10 ... 30 VDC |
| Current consumption max. (no load) | 35 mA |

Electrical data

| | |
|------------------------------------|--------------|
| Current consumption typ. | 25 mA |
| Voltage drop Vd | < 2.2 VDC |
| Output function | Dark operate |
| Output circuit | PNP |
| Output current | < 100 mA |
| Teach value stored after power-off | Volatile |
| Short circuit protection | Yes |
| Reverse polarity protection | Yes |

Mechanical data

| | |
|------------------|---------------------|
| Width / diameter | 14.8 mm |
| Height / length | 43 mm |
| Depth | 31 mm |
| Type | Rectangular |
| Housing material | Plastic (ASA, MABS) |
| Front (optics) | PMMA |
| Connection types | Cable 4 pin, 2 m |

Ambient conditions

| | |
|-----------------------|----------------|
| Operating temperature | -10 ... +50 °C |
| Protection class | IP 67 |

Remarks

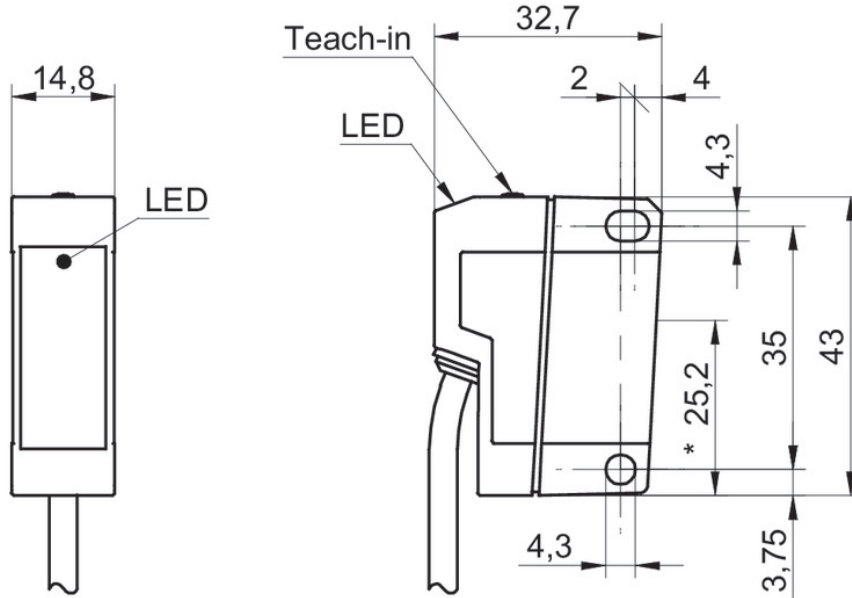
- Sn, Sb: The teach value will be lost after Power-off

OPDK 14P3902

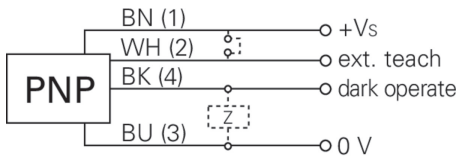
Retro-reflective sensors - for longer ranges

Article number: 11001309

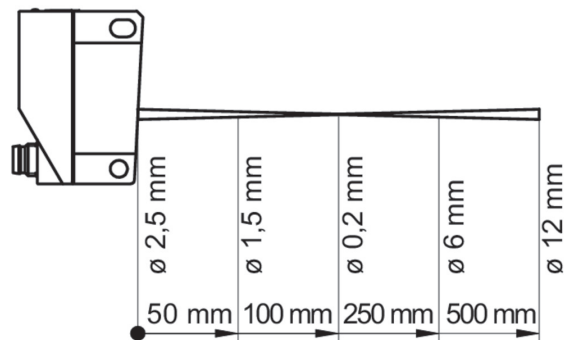
Technical drawings



Connection diagram



Beam characteristic (typically)



Laser warning

**CLASS 1 LASER
PRODUCT**

IEC 60825-1/2014
Complies with 21 CFR 1040.10 and 1040.11 except for conformance with IEC 60825-1 Ed. 3., as described in Laser Notice No. 56, dated May 8, 2019