

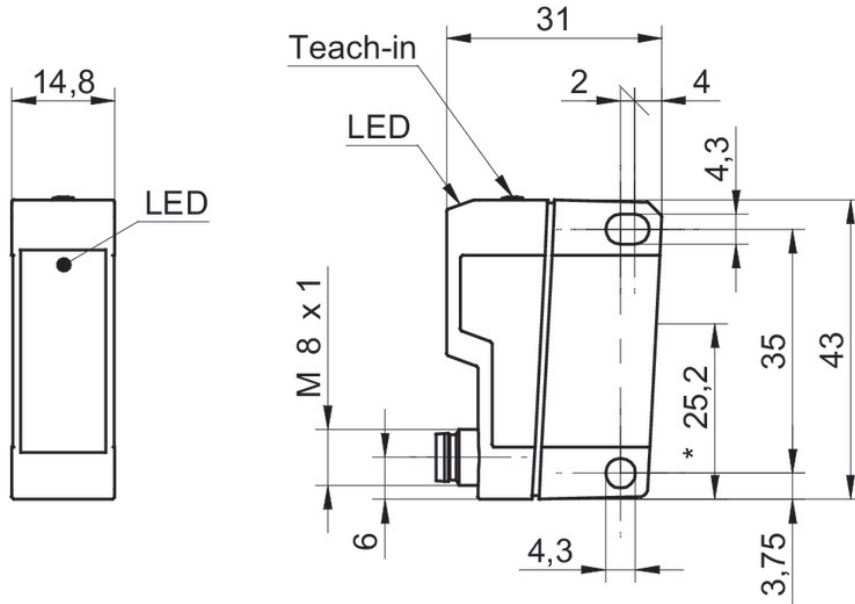


# OPDK 14P1902/S35A

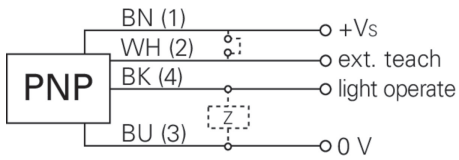
Retro-reflective sensors - for longer ranges

Article number: 11001249

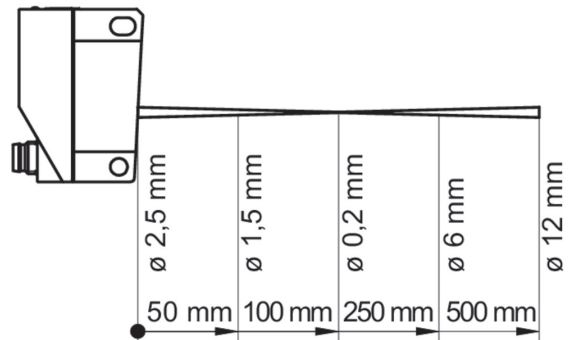
## Technical drawings



## Connection diagram



## Beam characteristic (typically)



## Laser warning

**CLASS 1 LASER  
PRODUCT**

IEC 60825-1/2014  
Complies with 21 CFR 1040.10 and  
1040.11 except for conformance with  
IEC 60825-1 Ed. 3., as described in  
Laser Notice No. 56, dated May 8, 2019