

Overview

- retro-reflective sensor
- 7 m
- pulsed red LED
- NPN
- no
- connector M8 4 pin
- -25 ... 65 °C
- IP 67



Picture similar



Technical data

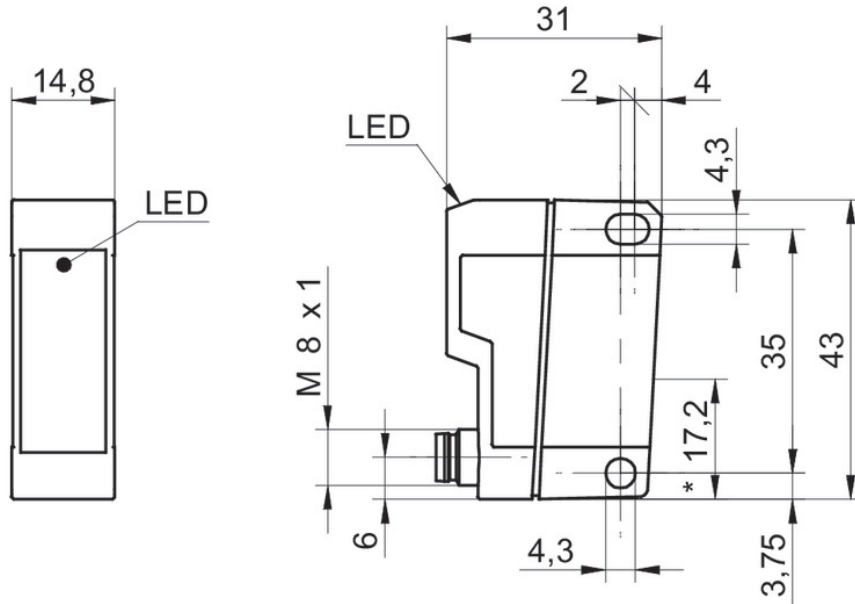
General data		Electrical data	
Type	Retro-reflective sensor	Current consumption typ.	20 mA
Light source	Pulsed red LED	Voltage drop Vd	< 1.8 VDC
Actual range Sb	7 m	Output function	Light / dark operate
Nominal range Sn	7.2 m	Output circuit	NPN
Polarization filter	Yes	Output current	< 100 mA
Alignment / soiled lens indicator	Flashing light indicator	Short circuit protection	Yes
Light indicator	LED yellow	Reverse polarity protection	Yes
Sensitivity adjustment	No	Mechanical data	
Wave length	660 nm	Width / diameter	14.8 mm
Suppression of reciprocal influence	Yes	Height / length	43 mm
		Depth	31 mm
		Type	Rectangular
		Housing material	Plastic (ASA, MABS)
		Front (optics)	PMMA
		Connection types	Connector M8 4 pin
Electrical data		Ambient conditions	
Response time / release time	< 1 ms	Operating temperature	-25 ... +65 °C
Voltage supply range +Vs	10 ... 30 VDC	Protection class	IP 67
Current consumption max. (no load)	25 mA		

FPDK 14N5101/S35A

Retro-reflective sensors - standard

Article number: 11001183

Technical drawings



Connection diagram

