

Overview

- 200 ... 4000 mm
- pulsed red laser diode
- analog
- Teach-in: button / external
- connector M12 5 pin, rotatable
- -25 ... 50 °C
- IP 67



Picture similar



Technical data

General data

| | |
|-----------------------------------|-------------------------------------|
| Measuring distance Sd | 200 ... 4000 mm |
| Measuring distance Sd (white 90%) | 200 ... 4000 mm |
| Measuring distance Sd (grey 18%) | 200 ... 4000 mm |
| Measuring distance Sd (black 6%) | 200 ... 4000 mm |
| Beam diameter | 5 ... 20 mm |
| Adjustment | Teach-in: button / external |
| Teach-in range min. | > 100 mm |
| Power on indication | LED green |
| Soiled lens indicator | LED red |
| Resolution | 1300 µm |
| Repeatability | ± 5 mm (with 40 kLux ambient light) |
| Linearity | ± 15 mm |
| Beam type | Point |

Light Source

| | |
|--------------|------------------------|
| Light source | Pulsed red laser diode |
| Wave length | 660 nm |
| Laser class | 2 |

Electrical data

| | |
|--------------------------|---------------|
| Measuring rate | 10 ms |
| Voltage supply range +Vs | 15 ... 28 VDC |

Electrical data

| | |
|------------------------------------|----------------------------|
| Current consumption max. (no load) | 250 mA (typ. 110 mA @ 24V) |
| Output circuit | Analog |
| Output signal | 4 ... 20 mA |
| Load resistance (analog I) | < (+Vs - 6 V) / 0,02 A |
| Output current | < 100 mA |
| Alarm output | Push-pull |
| Short circuit protection | Yes |
| Reverse polarity protection | Yes, Vs to GND |

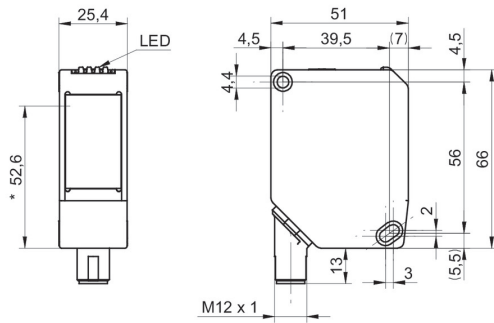
Mechanical data

| | |
|------------------|--------------------------------|
| Width / diameter | 25.4 mm |
| Height / length | 66 mm |
| Depth | 51 mm |
| Type | Rectangular |
| Housing material | Aluminum |
| Front (optics) | Glass |
| Connection types | Connector M12 5 pin, rotatable |

Ambient conditions


| | |
|------------------------|----------------|
| Ambient light immunity | < 40 kLux |
| Protection class | IP 67 |
| Operating temperature | -25 ... +50 °C |
| Typ. temp. coefficient | 0,2 mm / °C |

Dimension drawing



- * emitter axis

Laser warning



LASER RADIATION
DO NOT STARE INTO BEAM

Wavelength: 640...670nm

IEC 60825-1, Ed. 3, 2014
CLASS 2 LASER PRODUCT

IEC 60825-1/2014 Complies with 21 CFR 1040.10 and 1040.11 except for conformance with IEC 60825-1 Ed. 3., as described in Laser Notice No. 56, dated May 8, 2019

Connection diagram

