

Overview

- 4 mm
- NPN make function (NO)
- connector M12
- -25 ... 75 °C
- IP 67



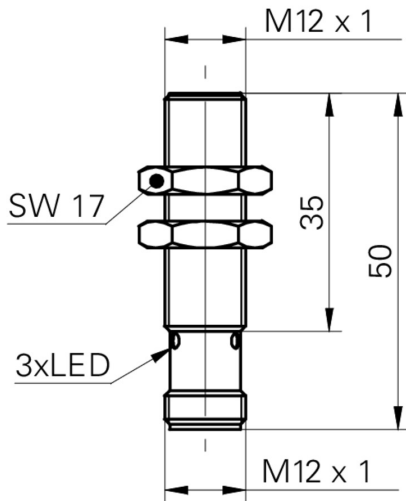
Picture similar



Technical data

| General data | | Electrical data | |
|------------------------------------|------------------------|-----------------------------|----------------------|
| Mounting type | Flush | Short circuit protection | Yes |
| Nominal sensing distance Sn | 4 mm | Reverse polarity protection | Yes |
| Hysteresis | 3 ... 20 % of Sr | Mechanical data | |
| Output indicator | 3 port LED red | Type | Cylindrical threaded |
| Electrical data | | Material (sensing face) | PBT |
| Switching frequency | 2 kHz | Housing material | Brass nickel plated |
| Voltage supply range +Vs | 6 ... 36 VDC | Dimension | 12 mm |
| Current consumption max. (no load) | 10 mA | Housing length | 50 mm |
| Output circuit | NPN make function (NO) | Connection types | Connector M12 |
| Voltage drop Vd | < 2 VDC | Tightening torque max. | 15 Nm (Front: 10 Nm) |
| Output current | < 200 mA | Ambient conditions | |
| | | Operating temperature | -25 ... +75 °C |
| | | Protection class | IP 67 |

Dimension drawing



Connection diagram

