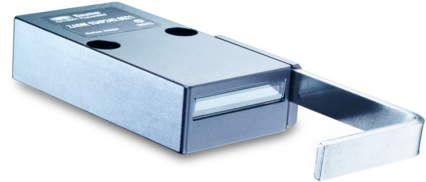


Overview

- measuring mode: edges, width
- 24 mm
- < 40 mm
- pulsed infrared diode
- analog
- Teach-in
- connector M8 4 pin
- 55 °C
- IP 67



Picture similar



Technical data

General data

Type	Measuring mode: edges, width
Measuring field size	24 mm
Measuring distance (to object)	< 40 mm
Measuring frequency	2000 Hz
Resolution	< 0.05 mm
Repeat accuracy	0.05 mm
Smallest object recognizable	1 mm
Linearity error	± 0.4 mm (S = 0 ... 40 mm) ± 0.2 mm (S = 20 ... 40 mm)
Power on indication	LED green
Output indicator	LED yellow
Light source	Pulsed infrared diode
Wave length	880 nm
Adjustment	Teach-in

Electrical data

Response time	< 0.5 ms
Voltage supply range +Vs	12 ... 28 VDC
Current consumption max. (no load)	120 mA
Output circuit	Analog
Output signal	4 ... 20 mA
Reverse polarity protection	Yes, Vs to GND
Short circuit protection	Yes

Mechanical data

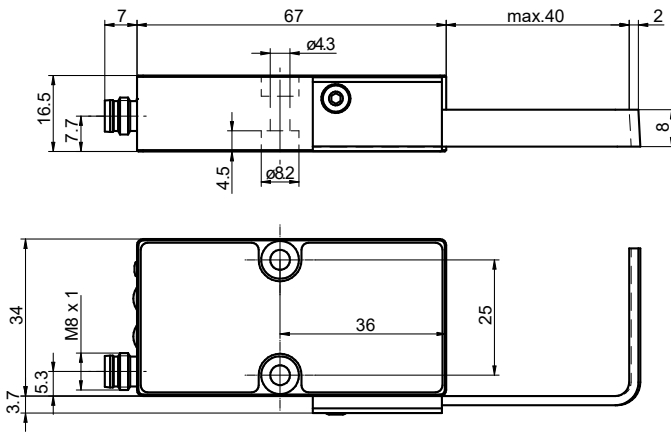
Width / diameter	34 mm
Type	Rectangular, front view
Housing material	Aluminum
Front (optics)	Glass
Connection types	Connector M8 4 pin

Ambient conditions

Operating temperature	0 ... +55 °C
Protection class	IP 67

2022-11-09 The product features and technical data specified do not express or imply any warranty. Technical modifications subject to change.

Dimension drawing



Connection diagram

