

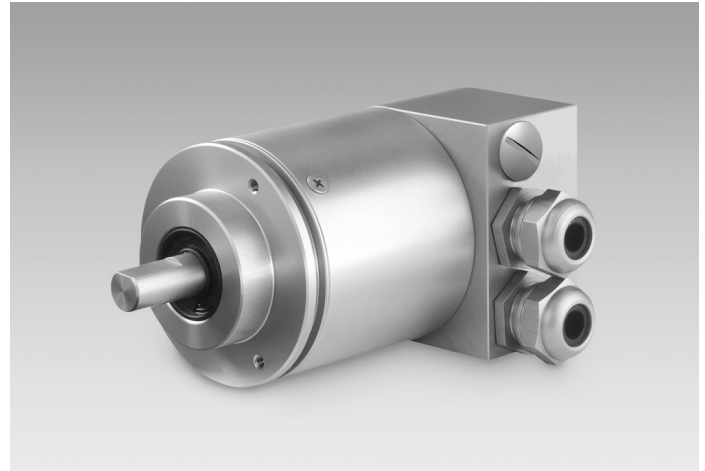
GFMMW

Solid shaft with clamping flange, stainless steel housing

Optical multiturn encoders 13 bit ST / 16 bit MT, CANopen®, EtherNet/IP, Profibus, PROFINET

Overview

- Encoder multiturn / bus cover
- Stainless steel design V4A
- Optical sensing method
- Resolution: singleturn 13 bit, multiturn 16 bit
- Clamping flange
- CANopen®, EtherNet/IP, Profibus-DP, PROFINET
- Material: stainless steel 1.4404
- Maximum resistant against magnetic fields



Technical data

Technical data - electrical ratings

Voltage supply	10...30 VDC
Reverse polarity protection	Yes
Consumption w/o load	≤100 mA (24 VDC)
Initializing time typ.	250 ms after power on
Interface	CANopen® EtherNet/IP Profibus-DPV0 PROFINET
Function	Multiturn
Device adress	Rotary switch in bus cover (type-specific)
Steps per revolution	≤8192 / 13 bit
Number of revolutions	≤65536 / 16 bit
Absolute accuracy	±0.025 °
Sensing method	Optical
Code	Binary
Code sequence	CW/CCW programmable
Interference immunity	EN 61000-6-2
Emitted interference	EN 61000-6-4
Programmable parameters	Steps per revolution Number of revolutions Preset Scaling Rotating direction
Diagnostic function	Position or parameter error Multiturn sensing

Technical data - electrical ratings

Approval UL approval / E63076

Technical data - mechanical design

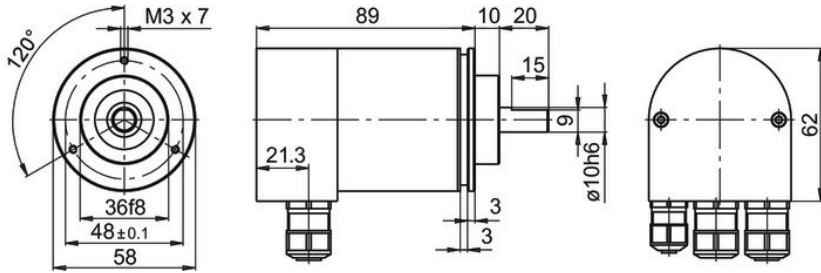
Size (flange)	ø58 mm
Shaft type	ø10 mm solid shaft (clamping flange)
Flange	Clamping flange
Protection EN 60529	IP 67
Operating speed	≤10000 rpm (mechanical) ≤6000 rpm (electric)
Starting acceleration	≤1000 U/s ²
Starting torque	≤0.03 Nm (+25 °C, IP 67)
Rotor moment of inertia	20 gcm ²
Admitted shaft load	≤20 N axial ≤40 N radial
Material	Housing: stainless steel 1.4404 Flange: stainless steel 1.4404 Bus cover: stainless steel 1.4404
Operating temperature	-25...+85 °C -40...+85 °C (optional)
Relative humidity	95 % non-condensing
Resistance	EN 60068-2-6 Vibration 10 g, 16-2000 Hz EN 60068-2-27 Shock 200 g, 6 ms
Weight approx.	900 g
Connection	Bus cover

GFMMW

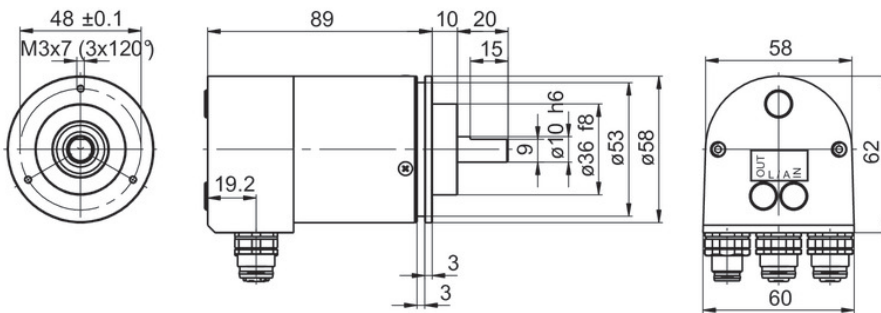
Solid shaft with clamping flange, stainless steel housing

Optical multiturn encoders 13 bit ST / 16 bit MT, CANopen®, EtherNet/IP, Profibus, PROFINET

Dimensions



GFMMW - CANopen, Profibus-DP



GFMMW - PROFINET, EtherNet-IP

GFMMW

Solid shaft with clamping flange, stainless steel housing

Optical multiturn encoders 13 bit ST / 16 bit MT, CANopen®, EtherNet/IP, Profibus, PROFINET

Ordering reference

	GFMMW	.	A	20	####
Product	GFMMW				
Flange / Solid shaft			A		
Clamping flange / ø10 mm, IP 65					
Voltage supply				20	
10...30 VDC					
Interface					
Profibus-DPV0 / cable gland					3P32
CANopen® / cable gland					5P32
PROFINET / connector M12					3EA2
EtherNet/IP / connector M12					8EA2

Accessories

Mounting accessories

11191971 Bellows coupling - stainless steel (D1=10 / D2=10)